



ERP15-35UX

SPEC SHEET

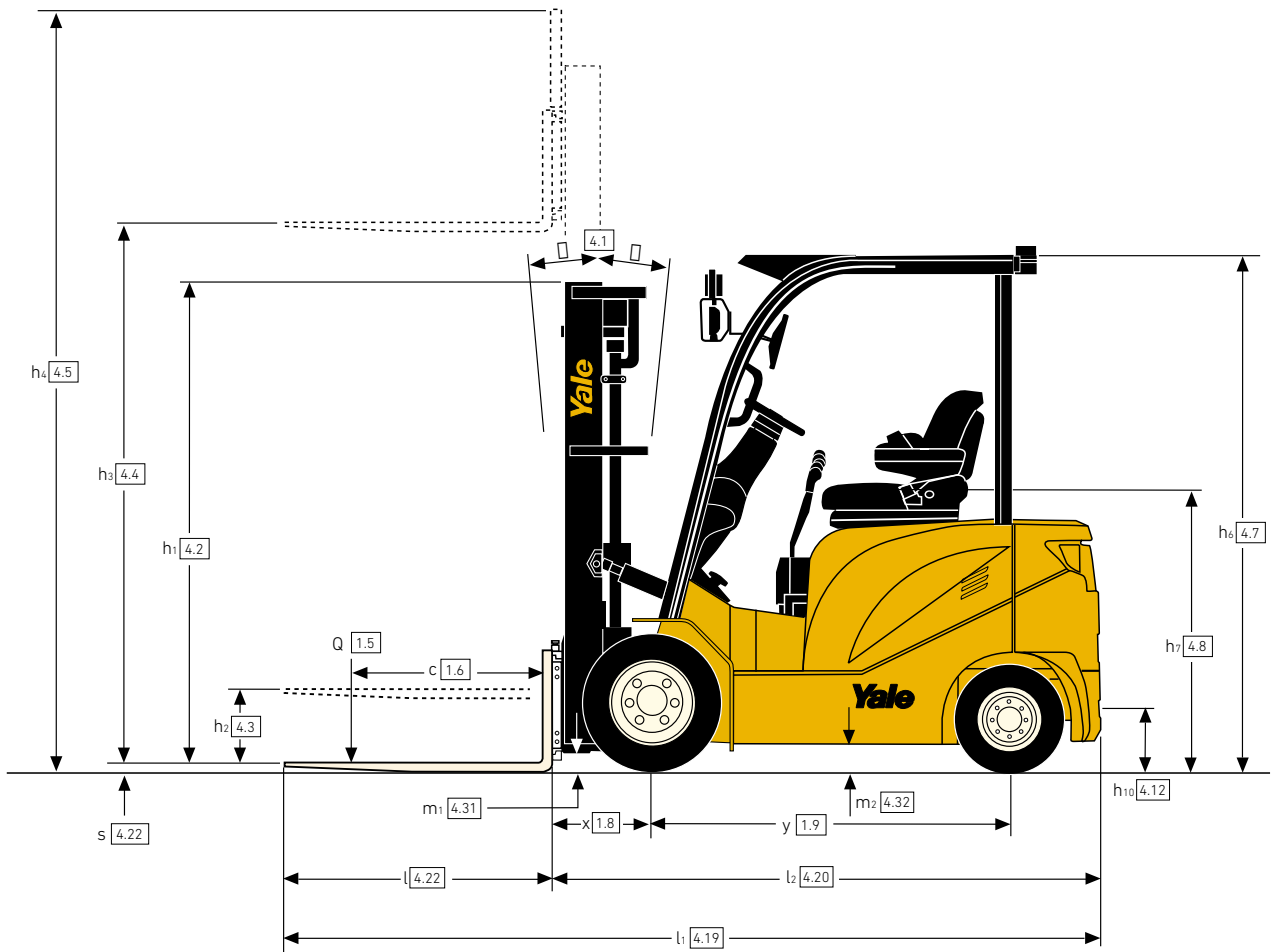
1,500 - 3,500 kg

UX Series

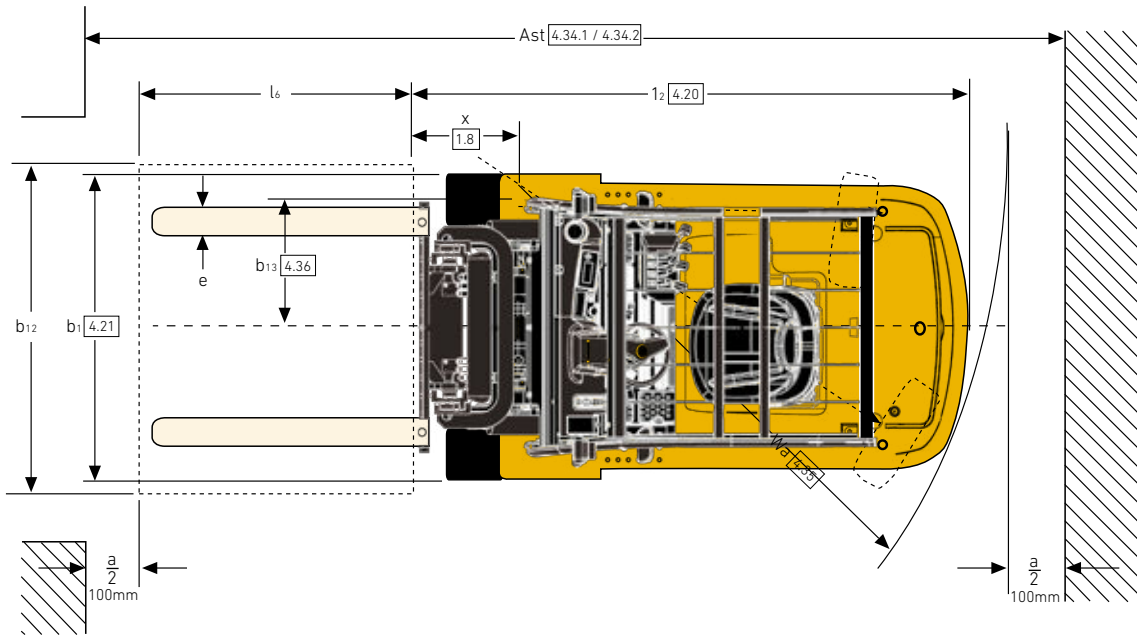
Electric Forklift Trucks

TRUCK DIMENSIONS – UX SERIES

$$A_{st} = Wa + R + a = Wa + \sqrt{((l_6 + x)^2 + (b_{12} / 2 - b_{13})^2)} + a$$



TRUCK DIMENSIONS – UX SERIES



VDI 2198 – GENERAL SPECIFICATIONS – UX SERIES

		Yale				
		ERP 15UX	ERP 18UX	ERP 20UX		
GENERAL	1.1	Manufacturer				
	1.2	Model designation				
	1.3	Drive	Electric (battery)			
	1.4	Operator type	Seated			
	1.5	Rated capacity/rated load	Q (t)	1.5	1.8	2.0
	1.6	Load centre distance	c (mm)	500		
	1.8	Load distance, centre of drive axle to fork	x (mm)	410		454
	1.9	Wheelbase	y (mm)	1380		1485
	WEIGHT	2.1	Service weight	kg	3030	3310
2.2		Axle loading, laden front/rear	kg	3940 / 590	4594 / 625	5110 / 930
2.3		Axle loading, unladen front/rear	kg	1490 / 1590	1431 / 1878	1770 / 2270
TYRES	3.1	Tyres front/rear	Superelastic			
	3.2	Tyre size, front	6.00-9	21 x 8-9	23 x 9-10	
	3.3	Tyre size, rear	5.00-8		18 x 7-8	
	3.5	Wheels, number front/rear (x = driven wheels)	2x / 2			
	3.6	Tread, front	b ₁₀ (mm)	955	1058	
	3.7	Tread, rear	b ₁₁ (mm)	920	960	
	DIMENSIONS	4.1	Tilt of mast/fork carriage forward/backward	α / β (°)	5 / 10	
4.2		Height, mast lowered	h ₁ (mm)	2000	2015	
4.3		Free lift ⁽¹⁾	h ₂ (mm)	135	140	
4.4		Lift ⁽¹⁾	h ₃ (mm)	3000		
4.5		Height, mast extended ⁽²⁾	h ₄ (mm)	3980		
4.7		Height of overhead guard (cabin) ⁽³⁾	(mm)	2155	2152	
4.8		Seat height relating to SIP/stand height ⁽⁴⁾	h ₇ (mm)	1080		
4.12		Coupling height	h ₁₀ (mm)	290	250	
4.19		Overall length	l ₁ (mm)	3026	3372	
4.20		Length to face of forks	l ₂ (mm)	2106	2302	
4.21		Overall width	b ₁ /b ₂ (mm)	1120	1285	
4.22		Fork dimensions ISO 2331	s/e/l (mm)	35 / 100 / 920	40 / 122 / 1070	
4.23		Fork carriage ISO 2328, class/type A, B	ISO2328 2A			
4.24		Fork carriage width ⁽²⁾	b ₃ (mm)	1040		
4.25		Distance between fork-arms	b ₅ (mm)	200 / 890	250 / 1000	
4.31		Ground clearance, laden, below mast	m ₁ (mm)	95	65	
4.32		Ground clearance at centre of wheelbase	m ₂ (mm)	105	95	
4.34.1		Aisle width for pallets 1000 × 1200 crossways	A _{st} (mm)	3580	3879	
4.34.2		Aisle width for pallets 800 × 1200 lengthways	A _{st} (mm)	3780	4009	
4.35		Turning radius	W _a (mm)	1970	2155	
4.36	Internal turning radius	b ₁₃ (mm)	703	599		
PERFORMANCE	5.1	Travel speed, laden/unladen	km/h	15 / 15.7	14.8 / 15.7	15.7 / 15.7
	5.2	Lift speed, laden/unladen	m/s	370 / 512	315 / 512	333 / 500
	5.3	Lowering speed, laden/unladen	m/s	400 / 502	390 / 502	434 / 415
	5.5	Drawbar pull, laden/unladen	N	NA		
	5.6	Max. drawbar pull, laden/unladen, 5 minute rating	N	NA		
	5.6.1	Max. drawbar pull, laden/unladen, 3 minute rating	N	10800 / 8700	14400 / 10500	
	5.7	Gradeability, laden/unladen	%	NA		
	5.8	Max. gradeability, laden/unladen, 5 minute rating	%	NA		
	5.8.1	Max. gradeability, laden/unladen, 3 minute rating	%	16 / 23	15 / 22	20 / 23
	5.9	Acceleration time, laden/unladen 10m	s	5.12 / 4.75	5.25 / 4.75	5.2 / 4.78
	5.9.1	Acceleration time, laden/unladen 15m	s	6.82 / 5.88	6.91 / 5.88	6.5 / 6.24
5.10	Service brake	Hydraulic				
ELECTRIC	6.1	Drive motor rating S2 60 min	kW	6.5		8.5
	6.2	Lift motor rating at S3 15%	kW	8.6		11
	6.3	Battery according to DIN 43531 / 35 / 36 A, B, C, no	No			
	6.4	Battery voltage/nominal capacity K5	(V)/(ah)	48 / 420		48 / 600
	6.5	Battery weight	kg	720		
	6.5.1	Battery dimensions	l/w/h (mm)	980 / 468 / 680		1028* 500* 780
6.6	Energy consumption according to VDI cycle	kWh/h @ no. of cycles	4.15	4.35	4.95	
OTHER	8.1	Type of drive unit	AC			
	8.2	Manufacturer	CURTIS			
	10.1	Operating pressure for attachments ⁽⁵⁾	bar	138		
	10.2	Oil volume for attachments	l/min	38		
	10.3	Hydraulic oil tank, capacity	l	70.4	70.4	67.9
	10.7	Sound pressure level at the driver's seat LPAZ ⁽⁶⁾	dB(A)	Ø30 Pin		
	10.8	Towing coupling, type DIN	25		30	
	10.8.1	Number of steering rotation	3.6		3.9	
	10.8.2	Turn over	t/h	96	120	130
	10.8.3	Steering force	N	7		

(1) Bottom of forks

(2) Without load backrest

(3) h₃ subject to +/- 5mm tolerance

(4) Full suspension specified

(5) Variable

(6) LPAZ, measured according to the test cycles and based on the weighting values contained in EN12053

Spec sheet truck based on VDI 2198, with the following configuration: Complete truck with 3000mm 2-stage limited free lift mast, standard carriage and 1000mm forks, overhead guard and standard superelastic drive and steer tyres

All values are nominal values and they are subject to tolerances.

VDI 2198 – GENERAL SPECIFICATIONS – UX SERIES

		Yale				
		ERP 25UX	ERP 30UX	ERP 35UX		
GENERAL	1.1	Manufacturer				
	1.2	Model designation				
	1.3	Drive		Electric (battery)		
	1.4	Operator type		Seated		
	1.5	Rated capacity/rated load	Q (t)	2.5	3.0	3.5
	1.6	Load centre distance	c (mm)	500		
	1.8	Load distance, centre of drive axle to fork	x (mm)	454	475	495.5
	1.9	Wheelbase	y (mm)	1485	1670	1690
	WEIGHT	2.1	Service weight	kg	4226	4910
2.2		Axle loading, laden front/rear	kg	5720 / 1006	6830 / 970	7956 / 894
2.3		Axle loading, unladen front/rear	kg	1748 / 2478	2220 / 2700	2294 / 3015
TYRES	3.1	Tyres front/rear		Superelastic		
	3.2	Tyre size, front		23 x 9-10		23 x 10-12
	3.3	Tyre size, rear		18 x 7-8		200 / 50-10
	3.5	Wheels, number front/rear (x = driven wheels)		2x / 2		
	3.6	Tread, front	b ₁₀ (mm)	1058	1065	1124
	3.7	Tread, rear	b ₁₁ (mm)	960	980	1010
	DIMENSIONS	4.1	Tilt of mast/fork carriage forward/backward	α / β (°)	5 / 10	
4.2		Height, mast lowered	h ₁ (mm)	2015	2045	2120
4.3		Free lift ⁽¹⁾	h ₂ (mm)	140	165	
4.4		Lift ⁽¹⁾	h ₃ (mm)	3000		
4.5		Height, mast extended ⁽²⁾	h ₄ (mm)	3980		
4.7		Height of overhead guard (cabin) ⁽³⁾	(mm)	2152		2138
4.8		Seat height relating to SIP/stand height ⁽⁴⁾	h ₇ (mm)	1080		
4.12		Coupling height	h ₁₀ (mm)	250	270	
4.19		Overall length	l ₁ (mm)	3387	3614	3759
4.20		Length to face of forks	l ₂ (mm)	2317	2544	2689
4.21		Overall width	b ₁ /b ₂ (mm)	1285		1365
4.22		Fork dimensions ISO 2331	s/e/l (mm)	40 / 122 / 1070		50 / 122 / 1070
4.23		Fork carriage ISO 2328, class/type A, B		ISO2328 2A	ISO2328 3A	
4.24		Fork carriage width ⁽²⁾	b ₃ (mm)	1040	1100	
4.25		Distance between fork-arms	b ₅ (mm)	250 / 1000	290 / 1060	290 / 1060
4.31		Ground clearance, laden, below mast	m ₁ (mm)	65		80
4.32		Ground clearance at centre of wheelbase	m ₂ (mm)	95	110	83
4.34.1		Aisle width for pallets 1000 × 1200 crossways	A _{st} (mm)	3879	4025	4101
4.34.2		Aisle width for pallets 800 × 1200 lengthways	A _{st} (mm)	4009	4225	4301
4.35		Turning radius	W _a (mm)	2155	2349	2405
4.36		Internal turning radius	b ₁₃ (mm)	599	830	815
PERFORMANCE	5.1	Travel speed, laden/unladen	km/h	14.9 / 15.7	15 / 16	
	5.2	Lift speed, laden/unladen	m/s	307 / 500	385 / 500	282 / 500
	5.3	Lowering speed, laden/unladen	m/s	405 / 415	420 / 475	400 / 355
	5.5	Drawbar pull, laden/unladen	N	NA		
	5.6	Max. drawbar pull, laden/unladen, 5 minute rating	N	NA		
	5.6.1	Max. drawbar pull, laden/unladen, 3 minute rating	N	14400 / 10500	21000 / 11500	
	5.7	Gradeability, laden/unladen	%	NA		
	5.8	Max. gradeability, laden/unladen, 5 minute rating	%	NA		
	5.8.1	Max. gradeability, laden/unladen, 3 minute rating	%	18 / 22	20 / 23	15 / 22
	5.9	Acceleration time, laden/unladen 10m	s	5.25 / 4.78	5.05 / 4.86	5.62 / 5.32
	5.9.1	Acceleration time, laden/unladen 15m	s	6.63 / 6.24	6.45 / 6.27	7.01 / 6.83
5.10	Service brake		Hydraulic			
ELECTRIC	6.1	Drive motor rating S2 60 min	kW	8.5	11.5	
	6.2	Lift motor rating at S3 15%	kW	11	15	
	6.3	Battery according to DIN 43531 / 35 / 36 A, B, C, no		No		
	6.4	Battery voltage/nominal capacity K5	(V)/(ah)	48 / 600	80 / 500	
	6.5	Battery weight	kg	970	1422	
	6.5.1	Battery dimensions	l/w/h (mm)	1028* 500* 780	1028 / 683 / 780	
6.6	Energy consumption according to VDI cycle	kWh/h @ no. of cycles	6.13	6.32	6.9	
OTHER	8.1	Type of drive unit		AC		
	8.2	Manufacturer		CURTIS		
	10.1	Operating pressure for attachments ⁽⁵⁾	bar	180		
	10.2	Oil volume for attachments	l/min	38		
	10.3	Hydraulic oil tank, capacity	l	67.9	70	
	10.7	Sound pressure level at the driver's seat LPAZ ⁽⁶⁾	dB(A)	Ø30 Pin		
	10.8	Towing coupling, type DIN		30	40	
	10.8.1	Number of steering rotation		3.9	3.8	
	10.8.2	Turn over	t/h	156	180	195
	10.8.3	Steering force	N	6.5	8	

MAST DIMENSIONS – ERP 15UX, ERP 18UX

Mast specification	Max. lift height	Overall Extended Height Mast						Free Lift		Load Distance		Mast Tilt		Loading	
		Lowered height		Lift Height				Without LBR	With LBR	15UX	18UX	F	B	Load center (500mm)	
				Without LBR		With LBR								15UX	18UX
		15UX	18UX	15UX	18UX	15UX	18UX	(mm)	(mm)	(mm)	(mm)	(°)	(°)	(kg)	(kg)
2-Stage Limited Free-Lift (LFL) Mast															
330	3300	2140	2140	4284	4284	3813	3813	135	135	421	421	5	10	1500	1800
350	3500	2240	2240	4484	4484	4013	4013	135	135	421	421	5	10	1500	1800
400	4000	2540	2540	4984	4984	4513	4513	1350	1350	421	421	5	10	1400	1700
3-Stage Full Free-Lift (FFL) Mast															
450	4500	2040	2040	5484	5484	5013	5013	1470	1080	410	410	5	6	1200	1400
480	4800	2140	2140	5784	5784	5313	5313	1570	1180	410	410	5	6	1100	1200
550	5500	2405	2405	6484	6484	6013	6013	1835	1445	410	410	3	6	750	850
600	6000	2590	2590	6984	6984	6513	6513	2040	1650	410	410	3	6	450	550

MAST DIMENSIONS – ERP 20UX, ERP 25UX

Mast specification	Max. lift height	Overall Extended Height Mast						Free Lift		Load Distance		Mast Tilt		Loading	
		Lowered height		Lift Height				Without LBR	With LBR	20UX	25UX	F	B	Load center (500mm)	
				Without LBR		With LBR								20UX	25UX
		20UX	25UX	20UX	25UX	20UX	25UX	(mm)	(mm)	(mm)	(mm)	(°)	(°)	(kg)	(kg)
2-Stage Limited Free-Lift (LFL) Mast															
330	3300	2165	2165	3915	3915	4317	4317	140	140	454	454	5	10	2000	2500
350	3500	2265	2265	4115	4115	4517	4517	140	140	454	454	5	10	2000	2500
400	4000	2565	2565	4615	4615	5017	5017	140	140	454	454	5	10	2000	2500
3-Stage Full Free-Lift (FFL) Mast															
450	4500	2075	2075	5171	5171	5516	5516	1440	1040	490	490	5	6	1600	2000
480	4800	2175	2175	5471	5471	5816	5816	1540	1140	490	490	5	6	1250	1700
550	5500	2440	2440	6171	6171	6516	6516	1800	1400	490	490	3	6	900	1200
600	6000	2625	2625	6671	6671	7016	7016	1990	1590	490	490	3	6	700	800

MAST DIMENSIONS – ERP 30UX

Mast specification	Max. lift height	Overall Extended Height Mast				Free Lift		Load Distance	Mast Tilt		Loading		
		Lowered height		Lift Height		Without LBR	With LBR		F	B			
				Without LBR				With LBR					
		(mm)	(mm)	(mm)	(mm)	(mm)	(mm)	(mm)	(mm)	(°)	(°)	(kg)	
2-Stage Limited Free-Lift (LFL) Mast													
330	3300	2195		3940		4440		165	165	475	5	10	3000
350	3500	2295		4140		4640		165	165	475	5	10	3000
400	4000	2595		4640		5140		165	165	475	5	10	2850
3-Stage Full Free-Lift (FFL) Mast													
450	4500	2095		5165		5640		1510	975	500	5	6	2500
480	4800	2195		5465		5940		1610	1075	500	5	6	2250
500	5500	2460		6165		6640		1865	1330	500	3	6	1600
600	6000	2645		6665		7140		2060	1525	500	3	6	1200

MAST DIMENSIONS – ERP 35UX

Mast specification	Max. lift height	Overall Extended Height Mast				Free Lift		Load Distance	Mast Tilt		Loading		
		Lowered height		Lift Height		Without LBR	With LBR		F	B			
				Without LBR				With LBR					
		(mm)	(mm)	(mm)	(mm)	(mm)	(mm)	(mm)	(mm)	(°)	(°)	(kg)	
2-Stage Limited Free-Lift (LFL) Mast													
330	3300	2195		4010		4440		170	170	505	5	10	3500
350	3500	2295		4210		4640		170	170	505	5	10	3500
400	4000	2595		4710		5140		170	170	505	5	10	3300
3-Stage Full Free-Lift (FFL) Mast													
450	4500	2095		5250		5650		1510	975	522	5	6	2800
480	4800	2195		5550		5950		1610	1075	522	5	6	2500
500	5500	2460		6250		6650		1865	1330	522	3	6	1700
600	6000	2645		6750		7150		2060	1525	522	3	6	1300

All values are nominal values and they are subject to tolerances.

FEATURES LIST – UX SERIES

	STD	OPT		STD	OPT
1.5 - 1.8t Hoist Motors (8kW Drive and 8.6kW)	●		Steering Wheel with Spinning Knob	●	
2.0 - 2.5t Hoist Motors (48V AC Technology: 11kW Drive and 8.6kW)	●		Tilt Adjustable Steering Column	●	
3.0 - 3.5t Hoist Motors (80V AC Technology: 15kW Drive and 10kW)	●		Partial and full cab with/without heater		●
Mast (2-stage LFL 3300mm)	●		Key Switch Start	●	
Mast (2-stage LFL and 3-stage FFL Masts)		●	Entry Grab Handle	●	
Carriage (1040mm Class II or 1100mm Class II or III)	●		Rear/reversing handle		●
Carriages: 1200, 1500mm (Class II - III)		●	Dash Display (Battery level, Speed, LCD Hour Meter)	●	
Forks (1070 x 122 x 40mm Class II or 1070 x 122 x 45 / 50mm Class III)	●		Mirrors	●	
Forks: 1220mm (Class II - III)		●	Load Backrest	●	
Integral Sideshift		●	Strobe Light (magnetically mounted)	●	
Superelastic Tyres: Drive – 6.00-9 (1.5t), 21x8-9 (1.8t), 23x9-10 (2.0-3.0t), 23x10-12 (3.5t)	●		LED Light Kit - 2 x Front Work, 2 x Front Turn, Rear Turn / Tail / Brake / Reverse	●	
Superelastic Tyres: Steer – 5.00-8 (1.5t-1.8t), 18x7-8 (2.0-3.0t), 200/50-10 (3.5t)			Rear Work Light		●
Pneumatic drive and steer tyres		●	Audible Reverse Alarm	●	
Dual Drive Wheels and Fender Extensions		●	Toolbox	●	
Two Function Cowl Mounted Manual Lever – Lift / Tilt	●		Towing Pin	●	
Forward / Reverse Directional Lever	●		Operator Manual	●	
Manual Park Brake	●		12 Months / 2000 Hours Manufacturer's Warranty	●	
Full Suspension Seat (EU)	●		USB port	●	
Full Suspension Seat (MEA)		●			
Non-Suspension Seat (Vinyl) (MEA)	●				

All values are nominal values and they are subject to tolerances.



About Yale®

Yale Lift Truck Technologies leverages over a century of material handling experience and substantial investment in innovation to bring the most advanced technology-driven lift truck solutions to market. The company offers a full line of award-winning lift trucks, including reach trucks, order pickers, turret trucks, pallet jacks and trucks, pallet stackers, tow tractors and counterbalanced forklifts, as well as powerful operator assist solutions, proven robotics and a wide range of power sources to help customers adapt to today's demanding supply chain. Yale and its independent dealer network support these solutions with comprehensive after-sales service, parts, financing and training.

Yale Lift Truck Technologies is a trading name of Hyster-Yale Asia-Pacific Pty Ltd., a wholly owned subsidiary of Hyster-Yale Materials Handling, Inc.(NYSE:HY) which is headquartered in Cleveland, Ohio and operates globally.

MATERIALS HANDLING FOR:

Third-party logistics (3PL)

Auto parts distribution

Beverage

Cold & frozen foods

Food distribution

Food processing

Furniture & furnishings

Government

Health & pharma

Home centers

Retail & e-commerce


Yale Lift Truck Technologies | Pacific

1/23 Rowood Road
Prospect NSW 2148

Yale Lift Truck Technologies | Asia

16 Tuas Avenue 20
Singapore 638827

yale.com

© 2023 Hyster-Yale Group, Inc., all rights reserved. YALE and  are trademarks of Hyster-Yale Group, Inc. Trucks may be shown with optional equipment and/or features not available in all regions. Specifications and details in this brochure are subject to change without prior notification.