



GP155-170SVX

15,500 - 17,000 kg

ICE Pneumatic Tire Fork Lift

Maximize maneuverability.

From seasonal stockpiling to soaring inventories, operations need more space—but rising commercial real estate costs make expansion and new construction prohibitively expensive.

Instead, operations must make the most of existing square footage, serving dense storage configurations with lift trucks designed to work through confined, congested spaces. The Yale® GP155-170SVX is up to the task, with enhanced maneuverability and visibility to help keep product and facility damage to a minimum and productivity and control to a maximum.

SHORTER COUNTERWEIGHT – A shortened counterweight design enables a more compact truck with industry-leading right angle stack measurements, helping to improve maneuverability through tight spaces.

TURN ASSIST SYSTEM – At maximum steering angles, the Turn Assist System applies braking to the inside drive tire for tight, consistent maneuvering, helping reduce turning radius regardless of load weight or road surface conditions.

OPTIMIZED FORWARD VISIBILITY – A new standard mast design provides operators with a significant front field of view, helping to optimize visibility of the forks and load and increase operator comfort—thereby enabling safe and efficient operation.

REAR VIEW DISPLAY – An optional rear facing camera with corresponding rear view LCD display, provides 118° range of vision which helps assist operators in monitoring rear of the truck while maneuvering or changing directions.

For more information on the standard truck, please refer to the GP135-155VX and GP170-190VX brochures and spec sheets found on Yale.com.

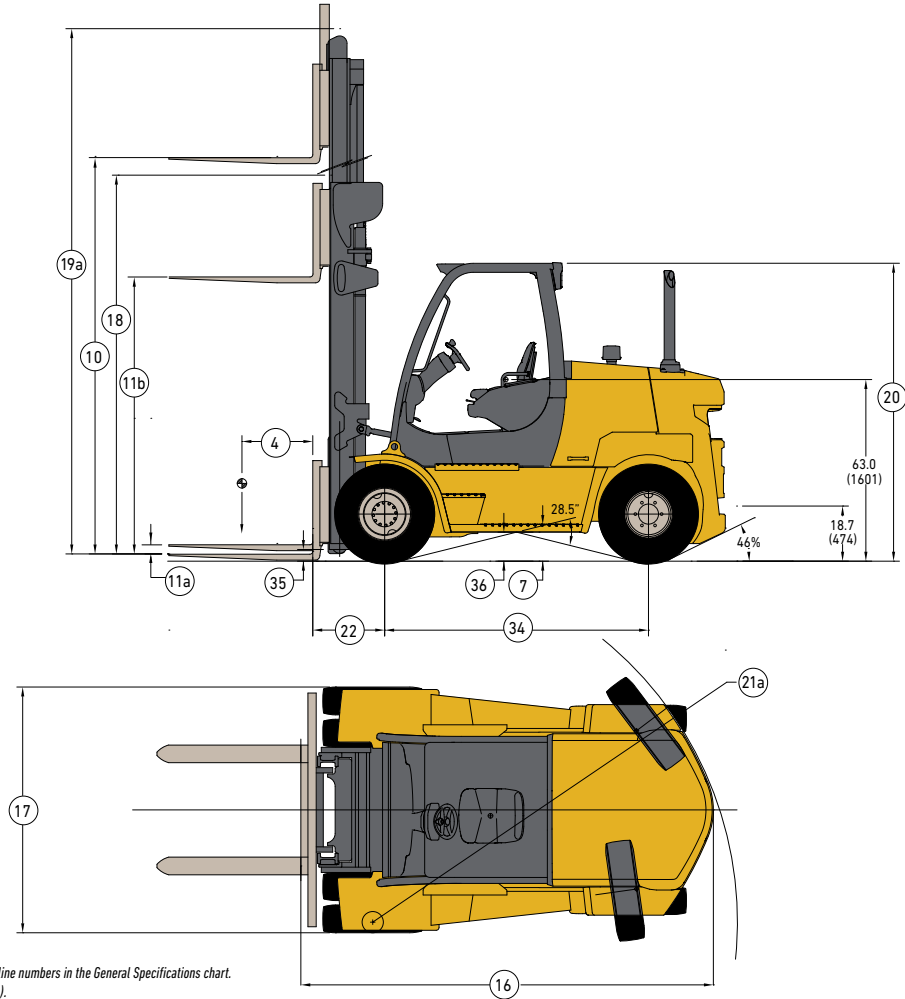




DID YOU KNOW?

Commercial property prices have been steadily rising since 2010. With inventory levels growing, optimizing your existing space can help support growth without costly real estate investment.

TRUCK DIMENSIONS GP155-170SVX



MAST DIMENSIONS GP155-170SVX

Truck Model	Maximum Fork Height (TOF) in (mm)	Overall Lowered Height in (mm)	Overall Extended Highest		Free Lift (TOF)	
			w/ Load Backrest in (mm)	w/o Load Backrest in (mm)	w/ Load Backrest in (mm)	w/o Load Backrest in (mm)
2-STAGE LFL MAST						
GP155SVX	118 (3000)	100 (2540)	172 (4354)	166 (4195)	6 (160)	6 (160)
GP155SVX	133 (3400)	108 (2740)	188 (4754)	181 (4595)	6 (160)	6 (160)
GP155SVX	173 (4400)	128 (3240)	227 (5754)	221 (5595)	6 (160)	6 (160)
GP155SVX	212 (5400)	148 (3740)	266 (6754)	260 (6595)	6 (160)	6 (160)
GP155SVX	236 (6000)	164 (4165)	292 (7417)	277 (7040)	6 (160)	6 (160)
3-STAGE LFL MAST						
GP155SVX	185 (4700)	102 (2570)	239 (6054)	230 (5830)	47 (1216)	56 (1440)
GP155SVX	220 (5600)	113 (2870)	274 (6954)	265 (6730)	59 (1516)	68 (1740)
GP155SVX	244 (6200)	123 (3120)	298 (7554)	289 (7330)	69 (1766)	78 (1990)
2-STAGE LFL MAST						
GP170SVX	121 (3065)	107 (2715)	171 (4347)	167 (4239)	0 (0)	0 (0)
GP170SVX	140 (3565)	117 (2965)	191 (4847)	187 (4739)	0 (0)	0 (0)
GP170SVX	179 (4565)	137 (3465)	230.2 (5847)	226 (5739)	0 (0)	0 (0)
GP170SVX	219 (5565)	156 (3965)	267 (6847)	265 (6739)	0 (0)	0 (0)
GP170SVX	238 (6065)	166 (4215)	289 (7347)	285 (7239)	0 (0)	0 (0)
3-STAGE LFL MAST						
GP170SVX	181 (4615)	107 (2705)	232 (5897)	228 (5791)	56 (1420)	60 (1526)
GP170SVX	217 (5515)	118 (3005)	268 (6797)	263 (6691)	68 (1720)	72 (1826)
GP170SVX	234 (5965)	125 (3115)	285 (7247)	281 (7141)	74 (1870)	78 (1976)
GP170SVX	258 (6565)	132 (3355)	309 (7847)	305 (7741)	82 (2070)	86 (2176)

GENERAL SPECIFICATIONS GP155SVX

		Yale			
		GP155SVX			
		Kubota 3.8L LPG	Non-Certified Kubota 3.8L DOC	Non-Certified Kubota 3.8L High Output	
GENERAL	1	Manufacturer	Yale		
	2	Model	GP155SVX		
	3	Engine	Kubota 3.8L LPG	Non-Certified Kubota 3.8L DOC	Non-Certified Kubota 3.8L High Output
	4	Rated capacity	15,500 (7,000)		
	5	Load center, distance	24 (610)		
	6	Engine/power type-gasoline, LPG, diesel	LPG	Diesel	
	7	Operator type	Seated Rider		
	8	Step height	12.2 (311)		
	9	Tire type	Pneumatic		
DIMENSIONS	9a	Wheels, number - front/rear (X = driven)	4X/2		
	9b	Track width front/rear	72.7 (1846) / 60.5 (1535)		
	10	Lift height, w/LBR (TOF) (rounded down)	118 (3000)		
	11a	Std free lift height (TOF) (rounded down)	3.9 (100)		
	11b	Optional full free lift w/ LBR (TOF) (rounded down)	43 (1098)****		
	11c	Optional full free lift w/o LBR (TOF) (rounded down)	56 (1425)****		
	12	Standard carriage width	78 (1981)		
	13	Standard forks, thickness x width x length	2.4 x 5.9 x 47 (60 x 150 x 1200)		
	14a	Standard fork spread, minimum inside dimensions	6.2 (160)		
14b	Standard fork spread, maximum outside dimensions	73.8 (1876)			
15	Mast tilt, forward/backward	5/10			
16	Overall length (to face of forks)*	137.6 (3495)			
17	Overall width	82.0 (2082)			
18	Height, standard mast - lowered	96.7 (2456)			
19a	Height, standard mast - extended w/o LBR (rounded up)	159.1 (4040)			
19b	Height, Standard Mast - extended w/ LBR (rounded up)	171.3 (4350)			
20a	Height, standard overhead guard (high) (rounded up)	100 (2531)			
20b	Height, standard overhead guard (cab) (rounded up)	101 (2549)			
21a	Turning radius, minimum outside (OTR)**	121.3 (3080)			
21b	Turning radius, minimum inside (ITR)***	-3.5 (-90)			
22	Length, center of wheels to face of forks*	24 (609)			
23a	Aisle width, right angle stack (pallet w=42in, L=48in)	193.2 (4908)			
23a	Aisle width, right angle stack (add length of load)	145.2 (3688)			
24	Equal aisle, 90-degree intersecting aisle *-	113.5 (2883)			
PERFORMANCE	25a	Travel speed fwd, RL/NL w/ 2-speed (fwd) transmission	13.6/14.3 (22.0/23.1)	15.0/16.1 (24.3/26.0)	14.0/14.7 (22.6/23.8)
	25b	Travel speed fwd, RL/NL w/ 3-speed (fwd) transmission	15.2/16 (24.5/25.9)	13.7/14.6 (26.3/28.3)	15.2/16.1 (24.5/26.0)
	25c	Travel speed rev, RL/NL w/ either transmission	13.6/14.3 (22.0/23.1)	15.0/16.1 (24.3/26.0)	14.0/14.7 (22.6/23.8)
	26a	Lift speed, standard 2-stage LFL RL/NL	90/102 (0.46/0.52)	78/90 (0.40/0.46)	94/102 (0.48/0.52)
	26b	Lift speed, optional 3-stage FFL RL/NL	90/102 (0.46/0.52)	76/90 (0.39/0.46)	90/98 (0.46/0.50)
	27a	Lowering speed, standard 2-stage LFL RL/NL	114/104 (0.58/0.53)		
	27b	Lowering speed, optional 3-stage FFL RL/NL	104/81 (0.53/0.41)		
	28a	2-Spd Xmsn drawbar pull @ Maximum RL/NL	9203/5419 (4174/2458)	10875/5419 (4932/2458)	10500/5419 (4762/2458)
	28b	2-Spd Xmsn drawbar pull @ 1 mph RL/NL	7526/5419 (3414/2458)	8495/5419 (3853/2458)	10500/5419 (4762/2458)
	28c	2-Spd Xmsn drawbar pull @ 3 mph RL/NL	4802/5419 (2178/2458)	5171/5419 (2345/2458)	7175/5419 (3254/2458)
	29a	2-Spd Xmsn minimum gradeability RL/NL	25/25	30/25	29/25
	29b	2-Spd Xmsn gradeability @ 1 mph RL/NL	20/25	23/25	29/25
	29c	2-Spd Xmsn gradeability @ 3 mph RL/NL	13/25	14/25	19/25
	28a	3-Spd Xmsn drawbar pull @ Maximum RL/NL	10000/5419 (4535/2458)	10499/5419 (4762/2458)	11500/5419 (5216/2458)
	28b	3-Spd Xmsn drawbar pull @ 1 mph RL/NL	10000/5419 (4535/2458)	10499/5419 (4762/2458)	11500/5419 (5216/2458)
	28c	3-Spd Xmsn drawbar pull @ 3 mph RL/NL	6248/5419 (2834/2458)	6051/5419 (2744/2458)	8550/5419 (3878/2458)
29a	3-Spd Xmsn minimum gradeability RL/NL	27/25	29/25	32/25	
29b	3-Spd Xmsn gradeability @ 1 mph RL/NL	27/25	29/25	32/25	
29c	3-Spd Xmsn gradeability @ 3 mph RL/NL	16/25	16/25	23/25	
WEIGHT	30a	Weight, standard truck NL	22582 (10243)		
	30b	Weight, standard truck RL	38015 (17243)		
	31a	Axle loading, static front/rear NL	9141/13442 (4146/6097)		
	31b	Axle loading, static front/rear RL	33037/5009 (14985/2272)		
TIRES & WHEELS	32	Tire size, front / rear	8.25 X 15 14PR / 8.25 X 15 14PR		
	34	Wheelbase	88.0 (2235)		
	35	Ground clearance under mast, RL	5.9 (150)		
	36	Ground clearance, center of wheelbase	9.7 (246)		
	37	Service brake - method of control/operation	Foot / Hydraulic		
	38	Park brake - method of control/operation	Hand / Mechanical		
POWERTRAIN	39	Battery type	Maintenance Free		
	40	Volts / cold cranking amps	12V/900	12V/1800 (2x 900)	
	41	Engine manufacturer	Kubota 3.8L LPG	Non-Certified Kubota 3.6L Turbo Diesel	Non-Certified Kubota 3.8L Turbo Diesel
	42	Engine power @ governed speed	91 (68) @ 2400 RPM	83.5 (62.3) @ 2400 RPM	109 (81.5) @ 2400 RPM
	43	Torque @ rated RPM	221 (300) @ 1000 RPM	218 (296) @ 1400RPM	275 (373) @ 1600 RPM
	44	Number of cylinders / displacement	4/3769 (230)		
	45	Transmission type, standard	Powershift		
	46a	Standard speeds, forward/reverse	2/2		
	46b	Optional speeds, forward/reverse	3/2		
	47	Hydraulic tank capacity (drain and refill)	18.9 (71.7)		
	48	Fuel Tank capacity (diesel powered units only)	19.7 (74.8)		
49	Auxiliary hydraulic pressure relief for attachments	PSI (Mpa)			

* Measured with standard mast and carriage

** Measured with Turn Assist System equipped. OTR without Turn Assist System is GP155SVX: 129.3 in (3282mm); GP170SVX: 131.8 in (3347mm)

*** Measured with Turn Assist System equipped. ITR without Turn Assist System is GP155SVX: 9.1 in (230mm); GP170SVX: 9.1 in (230mm)

**** Measured with lowest offered height 3 Stage FFL Mast

- Based on metric load size

GENERAL SPECIFICATIONS GP170SVX

		Yale			
		GP170SVX			
		Kubota 3.8L LPG	Non-Certified Kubota 3.6L DOC	Non-Certified Kubota 3.8L High Output	
GENERAL	1	Manufacturer	Yale		
	2	Model	GP170SVX		
	3	Engine	Kubota 3.8L LPG	Non-Certified Kubota 3.6L DOC	Non-Certified Kubota 3.8L High Output
	3	Rated capacity	17,000 (8,000)		
	4	Load center, distance	24 (610)		
	5	Engine/power type-gasoline, LPG, diesel	LGP	Diesel	
	6	Operator type	Seated Rider		
	7	Step height	12.2 (311)		
	8	Tire type	Pneumatic		
DIMENSIONS	9a	Wheels, number - front/rear (X = driven)	4X/2		
	9b	Track width front/rear	72.7 (1846) / 60.5 (1535)		
	10	Lift height, w/LBR (TOF) (rounded down)	121 (3065)		
	11a	Std free lift height (TOF) (rounded down)	0 (0)		
	11b	Optional full free lift w/ LBR (TOF) (rounded down)	53 (1355) ****		
	11c	Optional full free lift w/o LBR (TOF) (rounded down)	57.5 (1461) ****		
	12	Standard carriage width	80 (2030)		
	13	Standard forks, thickness x width x length	2.5 x 7.9 x 47 (65 x 200 x 1200)		
	14a	Standard fork spread, minimum inside dimensions	3 (75)		
14b	Standard fork spread, maximum outside dimensions	82.5 (2100)			
15	Mast tilt, forward/backward	5/9			
16	Overall length (to face of forks)*	140.6 (3570)			
17	Overall width	82.0 (2082)			
18	Height, standard mast - lowered	106.8 (2712)			
19a	Height, standard mast - extended w/o LBR (rounded up)	166.9 (4239)			
19b	Height, Standard Mast - extended w/ LBR (rounded up)	171.2 (4347)			
20a	Height, standard overhead guard (high) (rounded up)	100 (2531)			
20b	Height, standard overhead guard (cab) (rounded up)	101 (2549)			
21a	Turning radius, minimum outside (OTR)**	123.8 (3145)			
21b	Turning radius, minimum inside (ITR)***	-3.5 (-90)			
22	Length, center of wheels to face of forks*	24.2 (614)			
23a	Aisle width, right angle stack (pallet w=42in, L=48in)	196 (4978)			
23a	Aisle width, right angle stack (add length of load)	148 (3760)			
24	Equal aisle, 90-degree intersecting aisle *-	113.5 (2883)			
PERFORMANCE	25a	Travel speed fwd, RL/NL w/ 2-speed (fwd) transmission	13.6/14.3 (21.9/23.1)	14.9/16.0 (24/25.8)	13.8/14.7 (22.3/23.7)
	25b	Travel speed fwd, RL/NL w/ 3-speed (fwd) transmission	15/16.0 (24.3/25.8)	16.1/17.4 (26/28.1)	15/16.0 (24.3/25.8)
	25c	Travel speed rev, RL/NL w/ either transmission	13.6/14.3 (21.9/23.1)	14.9/16.0 (24/25.8)	13.8/14.7 (22.3/23.7)
	26a	Lift speed, standard 2-stage LFL RL/NL	70/70 (0.36/0.36)	61/62 (0.31/0.32)	64/64 (0.33/0.33)
	26b	Lift speed, optional 3-stage FFL RL/NL	70/70 (0.36/0.36)	61/62 (0.31/0.32)	64/64 (0.33/0.33)
	27a	Lowering speed, standard 2-stage LFL RL/NL		80/72 (0.41/0.37)	
	27b	Lowering speed, optional 3-stage FFL RL/NL		76/64 (0.39/0.33)	
	28a	2-Spd Xmsn drawbar pull @ Maximum RL/NL	9114/6326 (4135/2869)	10788/6326 (4893/2869)	10500/6326 (4762/2869)
	28b	2-Spd Xmsn drawbar pull @ 1 mph RL/NL	7439/6326 (3374/2869)	8408/6326 (3813/2869)	10500/6326 (4762/2869)
	28c	2-Spd Xmsn drawbar pull @ 3 mph RL/NL	4716/6326 (2139/2869)	5084/6326 (2306/2869)	7089/5507 (3215/2498)
	29a	2-Spd Xmsn minimum gradeability RL/NL	22/26	26/26	25/26
	29b	2-Spd Xmsn gradeability @ 1 mph RL/NL	18/26	20/26	25/26
	29c	2-Spd Xmsn gradeability @ 3 mph RL/NL	11/26	12/26	17/26
	28a	3-Spd Xmsn drawbar pull @ Maximum RL/NL	10000/6326 (4535/2869)	10499/6326 (4762/2869)	11500/6326 (5216/2869)
	28b	3-Spd Xmsn drawbar pull @ 1 mph RL/NL	10000/6326 (4535/2869)	10499/6326 (4762/2869)	11500/6326 (5216/2869)
	28c	3-Spd Xmsn drawbar pull @ 3 mph RL/NL	6132/6326 (2781/2869)	5935/6326 (2692/2869)	8434/5507 (3825/2498)
29a	3-Spd Xmsn minimum gradeability RL/NL	24/26	25/26	28/26	
29b	3-Spd Xmsn gradeability @ 1 mph RL/NL	24/26	25/26	28/26	
29c	3-Spd Xmsn gradeability @ 3 mph RL/NL	14/26	14/26	20/26	
WEIGHT	30a	Weight, standard truck NL	25508 (11570)		
	30b	Weight, standard truck RL	43145 (19570)		
	31a	Axle loading, static front/rear NL	10283/15049 (4664/6826)		
	31b	Axle loading, static front/rear RL	37622/5561 (17065/2522)		
TIRES & WHEELS	32	Tire size, front / rear	8.25 X 15 14PR / 8.25 X 15 14PR		
	34	Wheelbase	88.0 (2235)		
	35	Ground clearance under mast, RL	6.8 (173)		
	36	Ground clearance, center of wheelbase	9.7 (246)		
	37	Service brake - method of control/operation	Foot / Hydraulic		
	38	Park brake - method of control/operation	Hand / Mechanical		
POWERTRAIN	39	Battery type	Maintenance Free		
	40	Volts / cold cranking amps	12V/900	12V/1800 (2x 900)	
	41	Engine manufacturer	Kubota 3.8L LPG	Non-Certified Kubota 3.6L Diesel	Non-Certified Kubota 3.8L Turbo Diesel
	42	Engine power @ governed speed	91 (68) @ 2400 RPM	83.5 (62.3) @ 2400 RPM	109 (81.5) @ 2400 RPM
	43	Torque @ rated RPM	221 (300) @ 1000 RPM	218 (296) @ 1400RPM	275 (373) @ 1600 RPM
	44	Number of cylinders / displacement	4/3769 (230)	4/3620 (221)	4/3769 (230)
	45	Transmission type, standard	Powershift		
	46a	Standard speeds, forward/reverse	2/2		
	46b	Optional speeds, forward/reverse	3/2		
	47	Hydraulic tank capacity (drain and refill)	18.9 (71.7)		
	48	Fuel Tank capacity (diesel powered units only)	19.7 (74.8)		
49	Auxiliary hydraulic pressure relief for attachments	PSI (Mpa)			
			2250 (155)		

* Measured with standard mast and carriage

** Measured with Turn Assist System equipped. OTR without Turn Assist System is GP155SVX: 129.3 in (3282mm); GP170SVX: 131.8 in (3347mm)

*** Measured with Turn Assist System equipped. ITR without Turn Assist System is GP155SVX: 9.1 in (230mm); GP170SVX: 9.1 in (230mm)

**** Measured with lowest offered height 3 Stage FFL Mast

*- Based on metric load size

FEATURES LIST

STANDARD FEATURES

Kubota 3.8L EPA/CARB emissions compliant LPG engine

Electronic powershift transmission

- Hydraulic inching
- Electronic shift control

- 2 speeds forward, 2 speeds reverse

Premium oil-cooled wet disc brakes

Lever shift directional control

2-stage limited free lift mast

- 155: 118" (3000mm) maximum lift height
- 170: 121" (3065mm) maximum lift height

Hook type carriage w/ 48" (1220 mm) load back rest

- 155: 78" (1980 mm) wide
- 170: 80" (2030 mm) wide

47" (1200 mm) long forks

Mast Tilt

- 155: 5 forward / 10 back
- 170: 5 forward / 9 back

Integrated dashboard display

- LCD display - Fuel level (diesel only)
- Hour meter - Coolant temperature
- Clock - Messages

- Service indicator lights:

- Alternator - Transmission oil temperature
- Engine oil pressure - Brake fluid level
- Fasten seat belt - Low fuel level
- Engine malfunction - System malfunction
- Park brake - Coolant temperature

- Forward, reverse and neutral direction indicators

3 function (1 aux) hydraulic control valve Turn Assist System

Hydrostatic power steering

Non suspension vinyl seat

No-cinch black seat belt

Electronic horn

Rear view mirror

Adjustable steer column

Rubber floor mat

High air intake

Integral tie downs

Operator restraint system

Combi-cooler radiator

Single pedal inch brake

Cowl mounted mechanical hydraulic control levers

Side mounted single LPG tank

Pressure sensing LPG fuel indicator system

100" (2531 mm) overhead guard

12 Months/2000 Hours Manufacturers Warranty

36 Months/6000 Hours Manufacturers Powertrain Warranty

Operator's manual

Key switch start

Overhead exhaust

U.L. Certification

43.5 lb steel LPG tank

8.25 x 15-14 pneumatic drive tires

8.25 x 15-14 pneumatic steer tires

Steering wheel w/ spinner knob

OPTIONAL FEATURES

Kubota 3.8L EPA Certified Tier 4 Final high output turbo diesel engine

Kubota 3.8L DOC EPA Certified Tier 4 Final turbo diesel engine

Rear view display

Foot directional control pedal

Techtronix transmission

- Electronic inching
- Electronic shift control
- Auto deceleration system
- Controlled power reversal
- Controlled roll back on ramps

- 3 speeds forward, 2 speeds reverse

Halogen or LED work lights

Two front / one rear work light package

Brake / tail / back up rear light package

Powertrain protection w/ engine shutdown

Premium monitoring

High air intake w/ precleaner

Hydraulic accumulator

Keyless start w/ auxiliary key switch

Counterweight mounted LPG bracket

Side mounted dual LPG tanks

Return to set tilt

Accutouch mini-levers

Seat-side directional control switch

Rear drive handle w/ horn button

Various full suspension vinyl and cloth seat options w/ flip up armrest

Hi-vis red seatbelt w/ or w/o interlock

Impact monitor w/ immediate or delayed shutdown

Load weight display

Operator pre-shift electronic checklist

Dual pedal inch brake

Operator passwords

Audible reverse alarm

Amber strobe light

Publications – printed or CD, serial number specific

Cab includes the following:

- Front and rear wiper
- Full light package
- Integral heater
- Defogger
- Removable doors
- Operator dome light
- Fan
- Optional air conditioning

Dual side view mirrors

Optical sensing LPG fuel indicator system

Traction speed limiter

Sealed alternator

Various 2-stage and 3-stage masts

Various carriage types

Various fork lengths

5 forward / 6 back mast tilt

4 function (2 aux) hydraulic control valve

Hydraulic quick disconnects

Clamping hydraulic function

Attachment extension tubes

Various pneumatic drive and steer tires

Fire extinguisher

Steering wheel w/o spinner knob

Lifting eye

About Yale®



Yale Materials Handling Corporation is one of the oldest manufacturers of lift trucks in the world. We've been in the business of lifting since 1875 and we apply that experience to help customers solve materials handling challenges. Our full line of lift trucks range in capacity from 2,000 to 36,000 pounds and are powered by internal combustion engines or electric options. Yale also offers robotic solutions, telemetry, fleet management, parts, financing and training. From traditional lift truck equipment to emerging technologies, our goal, every day, is to work with our nationwide dealer network to continually improve and provide the solutions you need, when and how you need them.

MATERIALS HANDLING FOR:



3PL



Auto Parts
Distribution



Beverage



Cold & Frozen
Foods



Food
Distribution



Food
Processing



Furniture &
Furnishings



Health &
Pharma



Home
Centers



Printing &
Publishing




Retail &
E-Commerce

Yale Materials Handling Corporation

P.O. Box 7367
Greenville, NC 27835-7367
U.S.A.

www.yale.com

YALE,  and PEOPLE. PRODUCTS. PRODUCTIVITY, are trademarks, service marks or registered marks in the United States and certain other jurisdictions. © Yale Materials Handling Corporation 2021. All Rights Reserved.

Trucks may be shown with optional equipment. Truck performance may be affected by the condition of the vehicle, how it is equipped and the application. Specifications are subject to change without notice. Consult your Yale® Dealer if any of the information shown is critical to your application.

CERTIFICATION: Yale lift trucks meet the design and construction requirements of B56.1-1969, per OSHA Section 1910.178(a)(2), and also comply with the B56.1 revision in effect at time of manufacture. Classified by Underwriters' Laboratories, Inc.