



GC-VX

VERACITOR® CUSHION TIRE TRUCKS

4,000 · 5,000 · 5,500 · 6,000 · 7,000 lbs

Yale Veracitor® GC-VX Series

This series of trucks is available in several configurations, designed to meet and exceed your material handling application requirements. The Veracitor® forklift can be configured for maximum performance and lowest cost of operation for medium to heavy duty applications with state-of-the-art features and superior power. The innovative Yale® Flex Performance Technology™ offers selectable performance modes that provide the flexibility to maximize fuel economy or productivity to match application needs.

Yale Veracitor® VX Industrial Engines feature a rigid cast iron block and main bearing caps. The nodular iron crankshaft is supported with five main bearings. The coil over plug ignition design eliminates spark plug wires.

The Kubota LPG engine features a cast iron cylinder head and deep skirt engine block for strength and resistance to shock. The Kubota also features a long cylinder stroke for improved torque.

The PSI engine features hydraulic adjusters that eliminate the need for manual valve clearance adjustments. The PSI also features twin engine balance shafts to reduce engine vibration resulting in smoother and quieter performance.

All engines feature hardened exhaust valve seats with stellite coated valves for superior durability.

Fuel System

All engines are EPA emissions compliant and feature closed loop emissions regulation systems that continually monitor exhaust and adjust fuel/air mix as necessary. Yale Veracitor® VX engines use a vaporizer/regulator to convert the fuel from a liquid to a gas, and a mixer carburetor. The engines feature three individual performance modes to optimize fuel economy in applications with different productivity levels.

Transmission

There are two transmission selections available with multiple engine configurations that will handle a wide variety of material handling applications. Both transmissions feature electronic inching (requires no adjustment), electronic shift control, neutral start switch, and anti-restart protection. A single pedal controls both inching and braking. Optional dual inch/brake pedals are available for operators who prefer this design. A 100 mesh suction and a 10 micron return line filtration protect the transmission from abrasive contaminants.

The Techtronix 100 features auto deceleration through the controlled application of clutch packs, and also reduces tire spin by precisely regulating engine speed during controlled power reversals.

Cooling System employs a 17" blade pusher-type fan. A permanently lubricated water pump and a high capacity, cross-flow radiator ensure rapid heat dissipation. The sealed cooling system operates at a pressure of 15 psi and includes a coolant

recovery tank for visual inspection of coolant level. Transmission oil cooler is integrated into the radiator and is located in the side tank. The optional combi-cooler radiator features an externally mounted transmission oil cooler for increased heat transfer capability. All radiators are soft mounted for excellent durability.

Drive Axle

The drive axles are designed to withstand heavy duty loads and absorb shock loads. The wheel hubs rotate on large tapered roller bearings. The drive shaft transmits torsion to the drive axle from the engine and transmission. Transmission torque occurs through an industrial hypoid ring gear and pinion differential assembly.

The drive axle is a self contained assembly that is isolated from the transmission by a heavy duty rubber isolator. The axle shafts utilize a "rolled fillet" root spline design for increased resistance to torsion stress. A magnetic sump plug is used to collect any metal particles that are circulating in the axle oil, preventing component wear.

Brakes are duo-servo hydraulic, self-energizing, and automatic adjusting drum brake assemblies. Asbestos-free brake linings are bonded to steel shoes and act against a cast iron drum. Single circuit master cylinder has sealed fluid reservoir and features a fluid level sensor which activates an indicator light located on the instrument panel. Independent, hand adjustable parking brake with push-button release has audible alarm.

Hydraulic Power Steering (hydrostatic steering) provides responsive control and eliminates mechanical linkages for reduced surface shock and simplified maintenance. The steering wheel is 12 inches in diameter with a textured surface grip and spinner knob, and requires only four turns lock-to-lock. The center mounted steer cylinder is located within the confines of the steer axle for protection.

Steer Axle is constructed of cast steel and is rubber shock mounted to the frame for reduced wear and vibration. The Continuous Stability System (CSS™) enhances lateral truck stability through reduced steer axle articulation, while simultaneously allowing uncompromised traveling across various surfaces.

Chassis designed by Finite Element Analysis (FEA) methods contains a rugged, unitized frame structure with a low step for simple entrance to the operator's compartment. Ergonomically designed overhead guard is bar type for excellent visibility and reduced noise.

(continued on back)

LPG/Dual Fuel Engine Specifications

Engine	PSI 2.4L
Cylinders	4
Camshaft	Overhead Valve
Displacement	143 cu.in./2.4 liter
Torque	121 lb.ft. @ 2000 RPM
Horsepower	59 hp
Air Filtration	Two Stage, Dry Type
Emission Control	Closed loop

LPG Engine Specifications

Engine	Kubota 2.5L
Cylinders	4
Camshaft	Overhead Valve
Displacement	152 cu.in./2.5 liter
Torque	131 lb.ft. @ 1000 RPM
Horsepower	59 hp
Air Filtration	Two Stage, Dry Type
Emission Control	Closed loop



Truck shown with optional equipment

GENERAL	1	Manufacturer Name		Yale				
	2	Model		GC040VX		GC050VX		
		Engine		PSI 2.4L	Kubota 2.5L	PSI 2.4L	Kubota 2.5L	
	3	Rated Capacity	lb (kg)	4000 (1814)		5000 (2268)		
	4	Load Center, Distance	in (mm)	24.0 (610)				
	5	Power Type		LPG	Dual Fuel	LPG	Dual Fuel	LPG
	6	Operator Type		Sit-Down Rider				
	7	Step Height	in (mm)	13.8 (350)				
	8	Tire Type - Cushion, Solid, Pneumatic		Cushion				
DIMENSIONS	9	Wheels, Number - Front/ Rear		2x/2				
	10	Lift Height, Top of Fork (TOF)	in (mm)	129 (3292)				
	11	Lift Heights, Std. Limited Free Lift (LFL) w/o LBR (TOF)	in (mm)	5 (140)				
		Lift Heights, Opt. Full Free Lift (FFL) w/o LBR (TOF)	in (mm)	62 (1575)				
	12	Standard Carriage Width	in (mm)	38.5 (980)				
	13	Forks, Thickness x Width x Length	in	1.6 X 3.9 X 42				
		Forks, Thickness x Width x Length	(mm)	(40 X 100 X 1067)				
	14	Fork Spread, Outside Dimensions	in (mm)	38.3 (974)				
	15	Mast Tilt Angles, Forward/Backward	degrees	5F/5B				
	16	Length To Face of Forks	in (mm)	88.1 (2238)		90.2 (2291)		
	17	Overall Width, Standard Tread	in (mm)	42.0 (1067)				
		Overall Width, Wide Tread	in (mm)	48.9 (1242)				
	18	Height, Standard Mast - Lowered	in (mm)	85 (2135)				
	19	Height, Standard Mast - Extended with LBR	in (mm)	178 (4515)				
		Height, Standard Mast - Extended without LBR	in (mm)	151 (3840)				
	20	Height, Standard Overhead Guard	in (mm)	84 (2128)				
		Height, Optional Overhead Guard	in (mm)	82 (2061)				
	21	Turning Radius, Minimum Outside (OTR)	in (mm)	76.8 (1950)		78.7 (2000)		
	22	Length, Center of Wheel to Face of Forks	in (mm)	15.4 (390)				
	23	Aisle Width, Right Angle Stack (Add Length of Load)	in (mm)	92.1 (2340)		94.1 (2390)		
	24	Equal Aisle, 90-Degree Intersecting Aisle	in (mm)	73.8 (1875)		74.7 (1897)		
	PERFORMANCE	25	Travel Speed, Powershift Transmission RL/NL	mph (km/h)	10.9/11.3 (17.6/18.2)	11.1/11.2 (17.8/18.0)	10.9/11.3 (17.6/18.2)	11.1/11.2 (17.8/18.0)
		26	Lift Speed, Standard 2-Stage LFL RL/NL	ft/min (m/s)	120/124 (.61/.63)	122 /126 (.62/.64)	120/124 (.61/.63)	122 /126 (.62/.64)
			Lift Speed, Optional 2-Stage FFL RL/NL	ft/min (m/s)	106/110 (.54/.56)	106/112 (.54/.57)	106/110 (.54/.56)	106/112 (.54/.57)
		Lift Speed, Optional 3-Stage FFL RL/NL	ft/min (m/s)	112/116 (.57/.59)	114/120 (.58/.61)	112/116 (.57/.59)	114/120 (.58/.61)	
		Lift Speed, Optional 4-Stage FFL RL/NL	ft/min (m/s)	120/124 (.61/.63)	122/126 (.62/.64)	120/124 (.61/.63)	122/126 (.62/.64)	
27		Lowering Speed, Standard 2-Stage LFL RL/NL	ft/min (m/s)	114/98 (.58 / .50)				
		Lowering Speed, Optional 2-Stage FFL RL/NL	ft/min (m/s)	98/83 (.50 / .42)				
		Lowering Speed, Optional 3-Stage FFL RL/NL	ft/min (m/s)	106/93 (.54 / .47)				
		Lowering Speed, Optional 4-Stage FFL RL/NL	ft/min (m/s)	108/73 (.55 / .37)				
28		Maximum drawbar pull RL/NL	lb (kg)	5322/1764 (2414/800)	4680/1764 (2123/800)	5282/1676 (2396/760)	4643/1676 (2106/760)	
		Drawbar Pull, Std. Transmission @ 1 mph RL/NL		4453/1764 (2020/800)	4050/1764 (1837/800)	4418/1676 (2004/760)	4012/1676 (1820/760)	
29	Gradeability, Std. Transmission @ 1 mph RL/NL	%	39/24	35/24	33/21	30/21		
WT.	31	Weight, Standard Truck (2-Stg. LFL) NL	lb (kg)	7803 (3539)		8587 (3895)		
		Weight, Standard Truck (2-Stg. LFL) RL	lb (kg)	11803 (5554)		13587 (6163)		
	32	Axle Loading, Static Front/Rear NL	lb (kg)	3570/4233 (1619/1920)		3402/5185 (1543/2352)		
		Axle Loading, Static Front/Rear RL	lb (kg)	10366/1437 (4702/652)		11897/1690 (5396/767)		
TIRES & WHEELS	33	Tire Size, Front		21 X 7 x 15				
	34	Tire Size, Rear		16 x 5 x 10.5				
	35	Wheelbase	in (mm)	56.3 (1430)				
	37	Ground Clearance, Lowest Point NL (w/RL subtract 6mm)	in (mm)	3.6 (91)				
	38	Ground Clearance, Center of Wheelbase NL	in (mm)	4.9 (125)				
	39	Service Brake - Method of Control/Operation		Foot/Hydraulic				
	40	Parking Brake - Method of Control/Operation		Hand/Mechanical				
POWERTRAIN	41	Battery Type		Maintenance Free				
	42	Volts/Cold Cranking Amps	v/cca	12/475				
	43	Engine, Manufacturer/Model		PSI 2.4L	Kubota 2.5L	PSI 2.4L	Kubota 2.5L	
	44	Permanent Output	hp (kw)	59 (44)	59 (44)	59 (44)	59 (44)	
	45	Torque @ Rated RPM	ft Lbs (kg/m)	121 (16.7) @ 2000 RPM	131 (18) @ 1000 RPM	121 (16.7) @ 2000 RPM	131 (18) @ 1000 RPM	
	46	Number of Cylinders/Displacement	No/cc (ci)	4/2351 (143)	4/2491 (152)	4/2351 (143)	4/2491 (152)	
	47	Transmission Type, Standard		Electronic Powershift				
		Standard Speeds, Forward - Reverse		1-1				
	49	Hydraulic Tank Capacity (Drain and Refill)	gal (liter)	9.5 (36.1)				
	50	Fuel Tank Capacity (Dual Fuel - Gasoline)	gal (liter)	NA	10.7 (40.5)	NA	10.7 (40.5)	NA
	51	Auxiliary Hydraulic Pressure Relief for Attachments	PSI (Mpa)	2250 (15.4)				

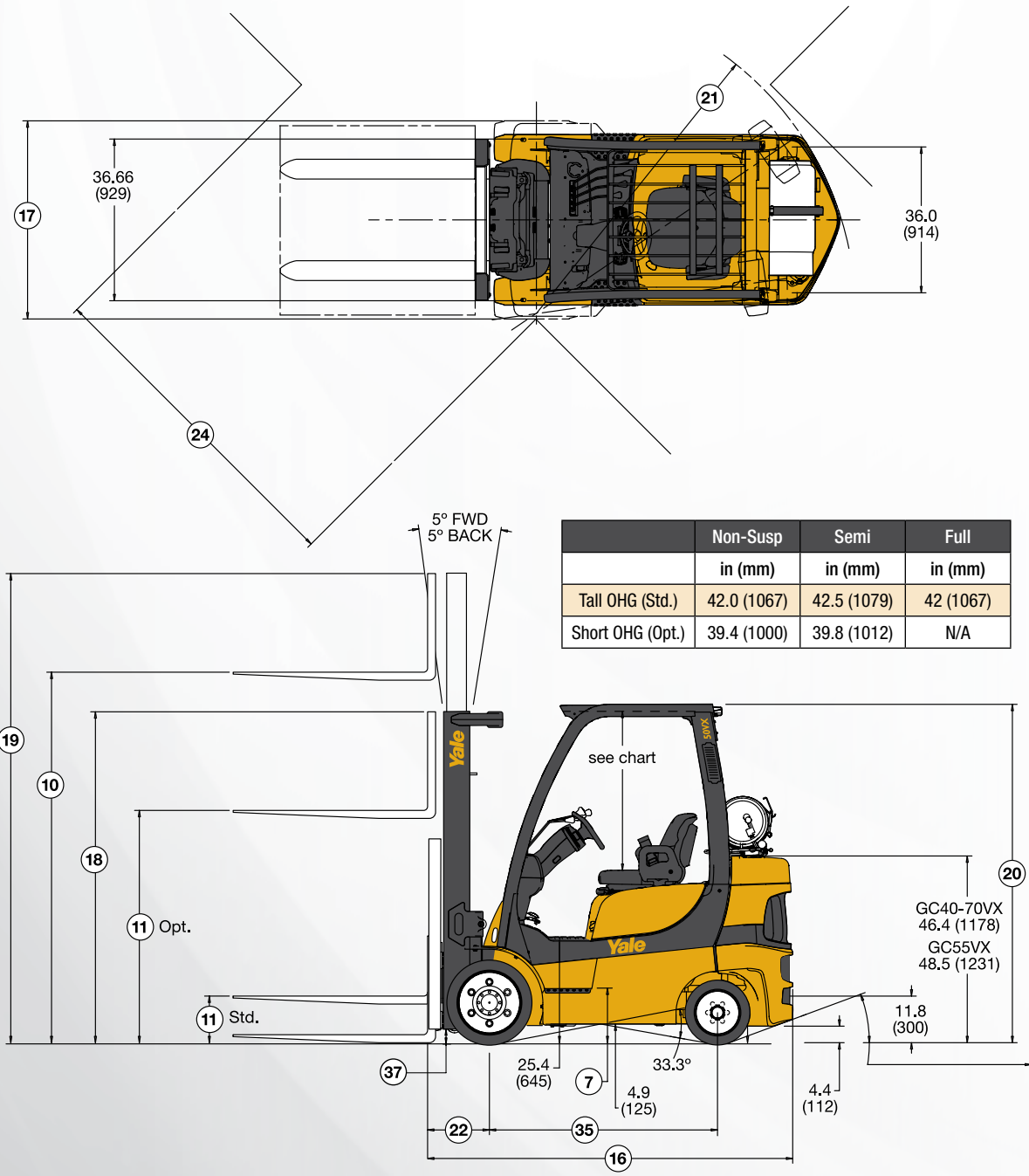
GENERAL	1	Manufacturer Name		Yale		
	2	Model		GC055SVX		
		Engine		PSI 2.4L	Kubota 2.5L	
	3	Rated Capacity	lb (kg)	5500 (2495)		
	4	Load Center, Distance	in (mm)	24.0 (610)		
	5	Power Type		LPG	Dual Fuel	LPG
	6	Operator Type		Sit-Down Rider		
	7	Step Height	in (mm)	13.8 (350)		
	8	Tire Type - Cushion, Solid, Pneumatic		Cushion		
9	Wheels, Number - Front/ Rear		2x/2			
DIMENSIONS	10	Lift Height, Top of Fork (TOF)	in (mm)	129 (3292)		
	11	Lift Heights, Std. Limited Free Lift (LFL) w/o LBR (TOF)	in (mm)	5 (140)		
		Lift Heights, Optional Full Free Lift (FFL) w/o LBR (TOF)	in (mm)	62 (1575)		
	12	Standard Carriage Width	in (mm)	38.5 (980)		
	13	Forks, Thickness x Width x Length	in	1.6 X 3.9 X 42		
		Forks, Thickness x Width x Length	(mm)	(40 x 100 x 1067)		
	14	Fork Spread, Outside Dimensions	in (mm)	38.3 (974)		
	15	Mast Tilt Angles, Forward/Backward	degrees	5F/5B		
	16	Length To Face of Forks	in (mm)	87.7 (2228)		
	17	Overall Width, Standard Tread	in (mm)	43.6 (1108)		
		Overall Width, Wide Tread	in (mm)	48.9 (1242)		
	18	Height, Standard Mast - Lowered	in (mm)	85 (2135)		
	19	Height, Standard Mast - Extended with LBR	in (mm)	178 (4515)		
		Height, Standard Mast - Extended without LBR	in (mm)	151 (3840)		
	20	Height, Standard Overhead Guard	in (mm)	84 (2128)		
		Height, Optional Overhead Guard	in (mm)	82 (2061)		
21	Turning Radius, Minimum Outside (OTR)	in (mm)	76.3 (1937)			
22	Length, Center of Wheel to Face of Forks	in (mm)	15.4 (390)			
23	Aisle Width, Right Angle Stack (Add Length of Load)	in (mm)	91.6 (2327)			
24	Equal Aisle, 90-Degree Intersecting Aisle	in (mm)	74.2 (1885)			
PERFORMANCE	25	Travel Speed, Powershift Transmission RL/NL	mph (km/h)	10.9/11.3 (17.6/18.2)	11.1/11.2 (17.8/18.0)	
	26	Lift Speed, Standard 2-Stage LFL RL/NL	ft/min (m/s)	120/124 (.61/.63)	124 /126 (.63/.64)	
		Lift Speed, Optional 2-Stage FFL RL/NL	ft/min (m/s)	106/110 (.54/.56)	108/112 (.55/.57)	
		Lift Speed, Optional 3-Stage FFL RL/NL	ft/min (m/s)	112/116 (.57/.59)	116/120 (.59/.61)	
		Lift Speed, Optional 4-Stage FFL RL/NL	ft/min (m/s)	120/124 (.61/.63)	122/126 (.62/.64)	
	27	Lowering Speed, Standard 2-Stage LFL RL/NL	ft/min (m/s)	114/98 (.58 /.50)		
		Lowering Speed, Optional 2-Stage FFL RL/NL	ft/min (m/s)	98/83 (.50 /.42)		
		Lowering Speed, Optional 3-Stage FFL RL/NL	ft/min (m/s)	106/93 (.54 /.47)		
		Lowering Speed, Optional 4-Stage FFL RL/NL	ft/min (m/s)	108/73 (.55 /.37)		
	28	Maximum drawbar pull RL/NL	lb (kg)	5260/1676 (2386/760)	4623/1676 (2097/760)	
	Drawbar Pull, Standard Transmission @ 1 mph RL/NL		4398/1676 (1995/760)	3993/1676 (1811/760)		
29	Gradeability, Standard Transmission @ 1 mph RL/NL	%	31/20	28/20		
WT.	31	Weight, Standard Truck (2-Stg. LFL) NL	lb (kg)	9113 (4134)		
		Weight, Standard Truck (2-Stg. LFL) RL	lb (kg)	14613 (6628)		
	32	Axle Loading, Static Front/Rear NL	lb (kg)	3454/5659 (1567/2567)		
		Axle Loading, Static Front/Rear RL	lb (kg)	12799/1814 (5806/823)		
TIRES & WHEELS	33	Tire Size, Front		21 X 8 x 15		
	34	Tire Size, Rear		16 x 6 x 10.5		
	35	Wheelbase	in (mm)	56.3 (1430)		
	37	Ground Clearance, Lowest Point NL (w/RL subtract 6mm)	in (mm)	3.6 (91)		
	38	Ground Clearance, Center of Wheelbase NL	in (mm)	4.9 (125)		
	39	Service Brake - Method of Control/Operation		Foot/Hydraulic		
40	Parking Brake - Method of Control/Operation		Hand/Mechanical			
POWERTRAIN	41	Battery Type		Maintenance Free		
	42	Volts/Cold Cranking Amps	v/cca	12/475		
	43	Engine, Manufacturer/Model		PSI 2.4L	Kubota 2.5L	
	44	Permanent Output	hp (kw)	59 (44)	59 (44)	
	45	Torque @ Rated RPM	ft Lbs (kg/m)	121 (16.7) @ 2000 RPM	131 (18) @ 1000 RPM	
	46	Number of Cylinders/Displacement	No/cc (ci)	4/2351 (143)	4/2491 (152)	
	47	Transmission Type, Standard		Electronic Powershift		
		Standard Speeds, Forward - Reverse		1-1		
	49	Hydraulic Tank Capacity (Drain and Refill)	gal (liter)	9.5 (36.1)		
	50	Fuel Tank Capacity (Dual Fuel - Gasoline)	gal (liter)	NA	10.7 (40.5)	NA
	51	Auxiliary Hydraulic Pressure Relief for Attachments	PSI (Mpa)	2250 (15.4)		

GENERAL	1	Manufacturer Name		Yale				
	2	Model		GC060VX		GC070VX		
		Engine		PSI 2.4L	Kubota 2.5L	PSI 2.4L	Kubota 2.5L	
	3	Rated Capacity	lb (kg)	6000 (2722)		7000 (3175)		
	4	Load Center, Distance	in (mm)	24.0 (610)				
	5	Power Type		LPG	Dual Fuel	LPG	Dual Fuel	
	6	Operator Type		Sit-Down Rider				
	7	Step Height	in (mm)	13.8 (350)				
	8	Tire Type - Cushion, Solid, Pneumatic		Cushion				
DIMENSIONS	9	Wheels, Number - Front/ Rear		2x/2				
	10	Lift Height, Top of Fork (TOF)	in (mm)	126 (3209)				
	11	Lift Heights, Std. Limited Free Lift (LFL) w/o LBR (TOF)	in (mm)	5 (150)				
		Lift Heights, Opt. Full Free Lift (FFL) w/o LBR (TOF)	in (mm)	58 (1490)				
	12	Standard Carriage Width	in (mm)	38.5 (980)				
	13	Forks, Thickness x Width x Length	in	2.0 X 4.9 X 42				
		Forks, Thickness x Width x Length	(mm)	(50 X 125 X 1067)				
	14	Fork Spread, Outside Dimensions	in (mm)	38.3 (974)				
	15	Mast Tilt Angles, Forward/Backward	degrees	5F/5B				
	16	Length To Face of Forks	in (mm)	93.4 (2373)		95.6 (2429)		
	17	Overall Width, Standard Tread	in (mm)	43.6 (1108)		45.6 (1158)		
		Overall Width, Wide Tread	in (mm)	48.9 (1242)				
	18	Height, Standard Mast - Lowered	in (mm)	87 (2185)				
	19	Height, Standard Mast - Extended with LBR	in (mm)	175 (4435)				
		Height, Standard Mast - Extended without LBR	in (mm)	152 (3855)				
	20	Height, Standard Overhead Guard	in (mm)	84 (2128)				
		Height, Optional Overhead Guard	in (mm)	82 (2061)				
	21	Turning Radius, Minimum Outside (OTR)	in (mm)	81.3 (2066)				
	22	Length, Center of Wheel to Face of Forks	in (mm)	15.8 (402)		15.8 (402)		
	23	Aisle Width, Right Angle Stack (Add Length of Load)	in (mm)	97.2 (2468)		99.3 (2521)		
	24	Equal Aisle, 90-Degree Intersecting Aisle	in (mm)	76.5 (1943)		78.2 (1986)		
	PERFORMANCE	25	Travel Speed, Powershift Transmission RL/NL	mph (km/h)	10.6/11.2 (17.0/18.0)	11.1/11.2 (17.8/18.0)	10.6/11.2 (17.0/18.0)	11.1/11.2 (17.8/18.0)
		26	Lift Speed, Standard 2-Stage LFL RL/NL	ft/min (m/s)	104 /108 (.53/.55)	108 /110 (.55/.56)	104 /108 (.53/.55)	110 /110 (.56/.56)
			Lift Speed, Optional 2-Stage FFL RL/NL	ft/min (m/s)	102/106 (.52/.54)	104/106 (.53/.54)	102/106 (.52/.54)	104/106 (.53/.54)
		Lift Speed, Optional 3-Stage FFL RL/NL	ft/min (m/s)	100 /104 (.51/.53)	100/104 (.51/.53)	100 /104 (.51/.53)	102/104 (.52/.53)	
		Lift Speed, Optional 4-Stage FFL RL/NL	ft/min (m/s)	120/124 (.61/.63)	122/126 (.62/.64)	N/A		
27		Lowering Speed, Standard 2-Stage LFL RL/NL	ft/min (m/s)	104/93 (.53 /.47)		104/93 (.53 /.47)		
		Lowering Speed, Optional 2-Stage FFL RL/NL	ft/min (m/s)	98/83 (.50 /.42)		98/83 (.50 /.42)		
		Lowering Speed, Optional 3-Stage FFL RL/NL	ft/min (m/s)	114/95 (.58 /.48)		114/95 (.58 /.48)		
		Lowering Speed, Optional 4-Stage FFL RL/NL	ft/min (m/s)	108/73 (.55 /.37)		N/A		
28		Maximum drawbar pull RL/NL	lb (kg)	5234/1821 (2374/826)	4597/1821 (2085/826)	5172/1709 (2346/775)	4559/1709 (2068/775)	
		Drawbar Pull, Std. Transmission @ 1 mph RL/NL		4372/1821 (1983/826)	3968/1821 (1800/826)	4321/1709 (1960/775)	3931/1709 (1783/775)	
29		Gradeability, Std. Transmission @ 1 mph RL/NL	%	28/19	25/19	25/17	23/17	
WT.	31	Weight, Standard Truck (2-Stg. LFL) NL	lb (kg)	9768 (4431)		10535 (4779)		
		Weight, Standard Truck (2-Stg. LFL) RL	lb (kg)	15767 (7152)		17535 (7954)		
	32	Axle Loading, Static Front/Rear NL	lb (kg)	3474/6294 (1576/2855)		3269/7266 (1483/3296)		
		Axle Loading, Static Front/Rear RL	lb (kg)	13718/2049 (6222/929)		15221/2314 (6904/1050)		
TIRES & WHEELS	33	Tire Size, Front		21 X 8 x 15		21 X 9 x 15		
	34	Tire Size, Rear		16 x 6 x 10.5		16 x 7 x 10.5		
	35	Wheelbase	in (mm)	56.3 (1430)				
	37	Ground Clearance, Lowest Point NL (w/RL subtract 6mm)	in (mm)	3.6 (91)				
	38	Ground Clearance, Center of Wheelbase NL	in (mm)	4.9 (125)				
	39	Service Brake - Method of Control/Operation		Foot/Hydraulic				
	40	Parking Brake - Method of Control/Operation		Hand/Mechanical				
POWERTRAIN	41	Battery Type		Maintenance Free				
	42	Volts/Cold Cranking Amps	v / cca	12/475				
	43	Engine, Manufacturer/Model		PSI 2.4L	Kubota 2.5L	PSI 2.4L	Kubota 2.5L	
	44	Permanent Output	hp (kw)	59 (44)		59 (44)		
	45	Torque @ Rated RPM	ft Lbs (kg/m)	121 (16.7) @ 2000 RPM	131 (18) @ 1000 RPM	121 (16.7) @ 2000 RPM	131 (18) @ 1000 RPM	
	46	Number of Cylinders/Displacement	No / cc (ci)	4/2351 (143)		4/2491 (152)		
	47	Transmission Type, Standard		Electronic Powershift				
		Standard Speeds, Forward - Reverse		1-1				
	49	Hydraulic Tank Capacity (Drain and Refill)	gal (liter)	9.5 (36.1)				
	50	Fuel Tank Capacity (Dual Fuel - Gasoline)	gal (liter)	NA	10.7 (40.5)	NA	10.7 (40.5)	
	51	Auxiliary Hydraulic Pressure Relief for Attachments	PSI (Mpa)	2250 (15.4)				

GC040-050VX, GC055SVX MAST DIMENSIONS

Maximum Fork Height (TOF) †	Overall Low-ered Height	Overall Extended Height		Free Lift (TOF)	Approximate Total Weight of Standard Equipped Truck w/o Load		
		with LBR	without LBR	without LBR*	GC040VX	GC050VX	GC055SVX
		in (mm)	in (mm)	in (mm)	in (mm)	lbs (kg)	lbs (kg)
2-STAGE LIMITED FREE LIFT (LFL) Hi-Vis™₂ MAST							
82 (2092)	61 (1535)	131 (3315)	104 (2650)	5 (140)	7596 (3445)	8380 (3801)	8906 (4040)
129 (3292)	85 (2135)	178 (4515)	151 (3840)	5 (140)	7803 (3539)	8587 (3895)	9133 (4134)
2-STAGE FULL FREE LIFT (FFL) Hi-Vis™ MAST							
130 (3302)	85 (2135)	179 (4525)	152 (3860)	62 (1575)	7840 (3556)	8624 (3912)	9150 (4150)
3-STAGE FULL FREE LIFT (FFL) Hi-Vis™₂ MAST							
171 (4350)	77 (1935)	220 (5575)	193 (4890)	54 (1395)	8085 (3668)	8869 (4023)	9395 (4262)
189 (4800)	83 (2085)	238 (6025)	210 (5340)	60 (1545)	8160 (3702)	8944 (4057)	9470 (4296)
194 (4950)	85 (2135)	244 (6175)	216 (5490)	62 (1595)	8185 (3713)	8969 (4069)	9495 (4307)
200 (5100)	88 (2235)	249 (6325)	222 (5640)	66 (1695)	8234 (3735)	9018 (4090)	9544 (4329)
218 (5550)	94 (2385)	267 (6775)	240 (6090)	84 (2145)	8314 (3771)	9098 (4127)	9624 (4365)
4-STAGE FULL FREE LIFT (FFL) Hi-Vis™ MAST**							
240 (6095)	84 (2135)	289 (7321)	262 (6641)	59 (1513)	8694 (3944)	9478 (4299)	10004 (4538)
276 (7013)	96 (2437)	322 (8184)	298 (7556)	71 (1817)	8889 (4032)	9673 (4388)	10199 (4626)

† Lift heights over 171.5" (4356 mm) maximum fork height are considered highlifts and require reduced capacity and restricted back tilt.
 * On 2-stage FFL and 3-stage FFL mast, subtract 26" (665 mm) if Load Backrest (LBR) is used.
 ** Lift trucks equipped with the 4-stage FFL mast require Class II carriage and forks.



Capacity	Grade Clearance
GC040VX	50%
GC050VX	45%
GC055SVX	47%
GC060VX	39%
GC070VX	39%

GC060-070VX MAST DIMENSIONS

Maximum Fork Height (TOF) †	Overall Low-ered Height	Overall Extended Height		Free Lift (TOF)	Approximate Total Weight of Standard Equipped Truck w/o Load	
		with LBR	without LBR	without LBR*	GC060VX	GC070VX
		in (mm)	in (mm)	in (mm)	in (mm)	lbs (kg)
2-STAGE LIMITED FREE LIFT (LFL) Hi-Vis™₂ MAST						
126 (3209)	86 (2185)	175 (4435)	152 (3855)	5 (150)	9768 (4431)	10535 (4779)
2-STAGE FULL FREE LIFT (FFL) Hi-Vis™ MAST						
122 (3110)	85 (2135)	171 (4335)	148 (3755)	58 (1490)	9785 (4438)	10552 (4787)
130 (3310)	88 (2235)	179 (4535)	156 (3955)	62 (1590)	9822 (4455)	10589 (4803)
3-STAGE FULL FREE LIFT (FFL) Hi-Vis™₂ MAST						
181 (4618)	85 (2135)	231 (5845)	207 (5245)	59 (1505)	10128 (4594)	10896 (4942)
187 (4768)	88 (2235)	236 (5995)	212 (5395)	63 (1595)	10173 (4614)	10941 (4963)
211 (5368)	98 (2485)	260 (6595)	236 (5995)	73 (1855)	10308 (4676)	11076 (5024)
229 (5818)	104 (2635)	278 (7045)	254 (6445)	79 (2005)	10498 (4762)	11266 (5110)
4-STAGE FULL FREE LIFT (FFL) Hi-Vis™ MAST**						
240 (6095)	84 (2135)	289 (7321)	262 (6641)	59 (1513)	10486 (4757)	N / A
276 (7013)	96 (2437)	322 (8184)	298 (7556)	71 (1817)	10681 (4845)	N / A

† Lift heights over 164.0" (4166 mm) maximum fork height are considered highlifts and require reduced capacity and restricted back tilt.

* On 2-stage FFL and 3-stage mast, subtract 23" (585 mm) if Load Backrest (LBR) is used.

** Lift trucks equipped with the 4-stage FFL mast require Class II carriage and forks.

(continued from cover)

Operator's Compartment features cowl-mounted hydraulic control levers positioned on the right side of the steering column. Optional Accutouch electro-hydraulic controls are integrated into the operator's right-side armrest allowing superior ergonomic actuation. Automotive-style pedal arrangement with a large, single inch/brake pedal is standard. Tilt cylinders are located beneath the floor for uncluttered space. Rubber floor mat reduces noise and vibration. Floorplate can be removed without tools for excellent service access. Low step height and a convenient hand grip provide easy entry and exit to and from the truck.

Intellix VSM acts as a master truck controller, providing extensive monitoring and control of truck functions and systems. CANbus technology reduces wiring complexity and enables comprehensive communications between truck systems. The ergonomically positioned dash display transmits continual feedback to the operator and allows for communication of service codes. Comprehensive on-board diagnostics enable quick and easy troubleshooting. The electrical system features sealed connectors and Hall Effect sensors for superior dependability.

Hydraulic System incorporates a gear type pump, cast iron body for quiet efficiency. The system is protected from overloads by a main relief valve for the lift circuit and a secondary relief valve for tilt and auxiliary functions. Oil is double filtered through a 100 mesh suction line strainer and 10 micron return line filter. Hydraulic tank is integrated into the frame. For Accutouch electro-hydraulic controls, an emergency lowering valve is provided to allow the load to be lowered in the event of power loss. O-ring face seal fittings are used in all high pressure hydraulic connections.

Masts are available in 2-stage LFL (Hi-Vis™₂), 2-stage FFL (Hi-Vis™), and 3-stage FFL (Hi-Vis™₂), and 4-stage FFL (Hi-Vis™) models. Mast features flush-faced design with geometrically matched, angled load roller bearings which are canted, yet provide full-face roller contact. The mast front rail flange angle coupled with the inverted "J" inner channel and three degree mast rollers

significantly reduce channel and roller wear. "J-hook" mast mounting system allows for convenient mast installation and removal. A non-metallic mast pivot bushing with woven reinforcement offers high load carrying capability with outstanding durability.

Options

- Techtronix 100 transmission
- Auto Deceleration System
- Controlled power reversal feature
- Controlled ramp descent
- Powertrain protection system
- Premium monitoring package
- High air intake with precleaner
- Accumulator
- Keyless start (w/auxiliary key switch)
- LED brake and back-up lights
- Halogen or LED headlights and rear drive lights
- Traction speed limiter
- Heavy duty combi-cooler radiator
- Swing-out, drop-down EZ-tank Bracket
- Accutouch, electro-hydraulic control
- Return-to-set tilt
- Rear drive handle with horn button
- Swivel full-suspension seat
- High-visibility non-cinch seat belt with or without interlock
- Foot Directional Control pedal
- Extension tubes with quick disconnects
- 10° forward/5° backward tilt
- Operator password
- Dual side view mirrors
- Audible alarm - reverse actuated 82-102 dB(A) - self-adjusting
- Visible alarm amber strobe light - continuous activated
- Paper applications kit
- Impact monitor
- Load weight display
- Operator pre-shift checklist



YALE MATERIALS HANDLING CORPORATION

P.O. Box 7367, Greenville, NC 27835-7367

www.yale.com

Yale is a Registered Trademark and is a Registered Copyright.
©Yale Materials Handling Corporation 2017. All Rights Reserved.

Manufactured in our own ISO 9001 and 14001 Registered Facilities

2227-1D 8/2017 All trucks shown with optional equipment.

Truck performance may be affected by the condition of the vehicle, how it is equipped and the application. Consult your Yale® Industrial Truck Dealer if any of the information shown is critical to your application. Specifications are subject to change without notice.

This truck meets all applicable mandatory requirements of ANSI B56.1 Safety Standard for Powered Industrial Trucks at the time of manufacture. Classified by Underwriters' Laboratories, Inc., as to fire and electric shock hazard only for Type E industrial trucks.

The Yale® products included in this document may be covered by US patent 6,684,148 and other patents pending.