

VX series

13,500lb / 15,500lb

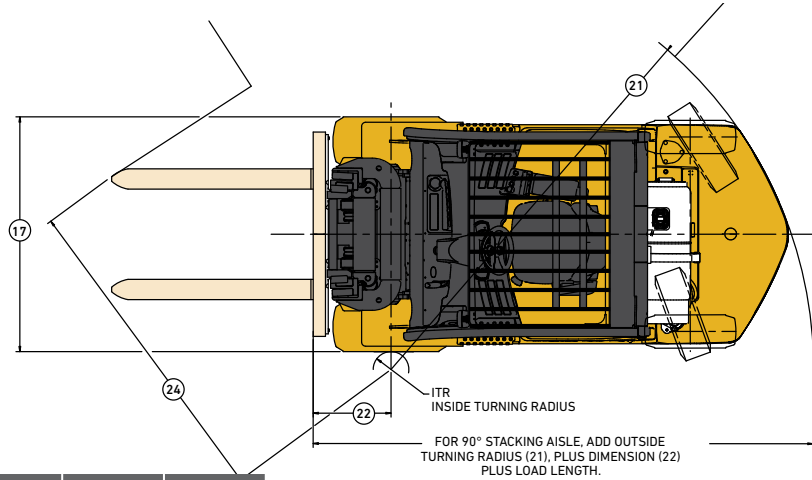
ICE Cushion Tire Fork Lift



SPEC SHEET

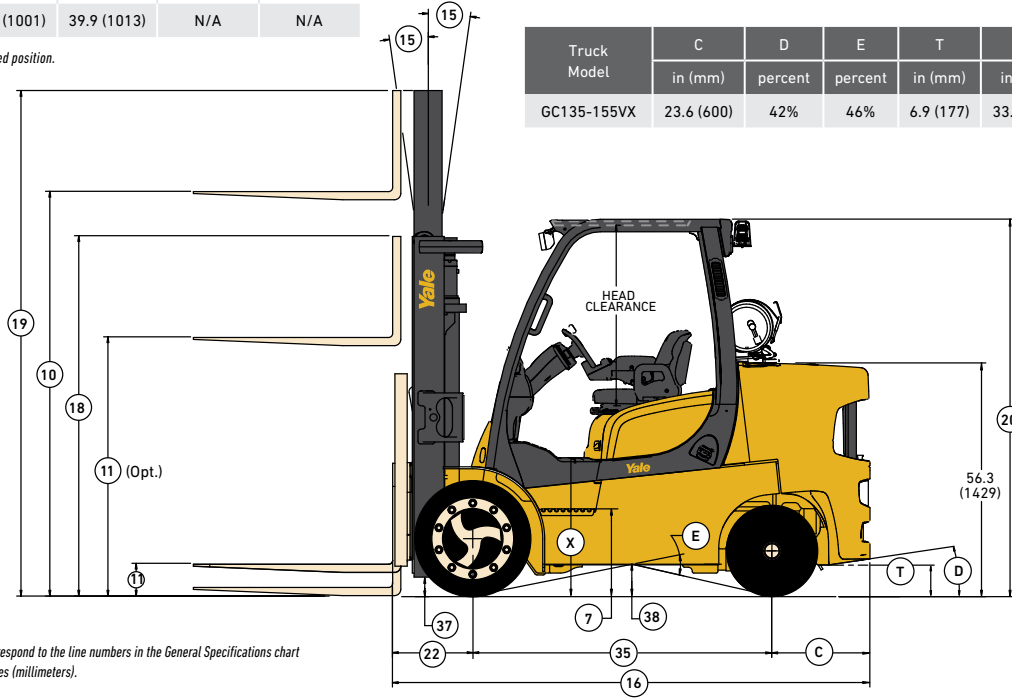
Models: GC135VX, GC155VX

TRUCK DIMENSIONS GC135-155VX



	Non Susp	Semi	Full	Swivel Full
Tall OHG (Std.)	42.0 (1068)	42.5 (1080)	41.8 (1062)	42.0 (1068)
Short Cab (Opt.)	39.4 (1001)	39.9 (1013)	N/A	N/A

Dimensions with seat in depressed position.



Truck Model	C	D	E	T	X
	in (mm)	percent	percent	in (mm)	in (mm)
GC135-155VX	23.6 (600)	42%	46%	6.9 (177)	33.2 (844)

Circled truck dimensions correspond to the line numbers in the General Specifications chart. Dimensions are listed in inches (millimeters).

MAST DIMENSIONS GC135-155VX

Maximum Fork Height	Overall Lowered Height	Overall Extended Height		Free-Lift (TOF)		Tilt	Approx. Truck Wt. w/Std. Equipment	
		w/Load Backrest	w/o Load Backrest	w/Load Backrest	w/o Load Backrest		GC135VX	GC155VX
in (mm)	in (mm)	in (mm)	in (mm)	in (mm)	in (mm)	Rwd/Fwd	lbs (kg)	lbs (kg)
2-Stage Limited Free-Lift (LFL) Mast								
94 (2400)	87 (2197)	143 (3632)	141 (3575)	6 (160)	6 (160)	10°/6°	18700 (8509)	20600 (9344)
133 (3400)	107 (2697)	183 (4632)	181 (4575)	6 (160)	6 (160)	10°/6°	19000 (8618)	20900 (9480)
173 (4400)	126 (3197)	222 (5632)	220 (5575)	6 (160)	6 (160)	10°/6°	19450 (8822)	21360 (9689)
3-Stage Full Free-Lift (FFL) Mast								
94 (2400)	87 (2197)	143 (3632)	141 (3575)	6 (160)	6 (160)	10°/6°	18700 (8509)	20600 (9344)
133 (3400)	107 (2697)	183 (4632)	181 (4575)	6 (160)	6 (160)	10°/6°	19000 (8618)	20900 (9480)
173 (4400)	126 (3197)	222 (5632)	220 (5575)	6 (160)	6 (160)	10°/6°	19450 (8822)	21360 (9689)

Note: GC135-155VX use standard 28 x 12 x 22 drive tires @ 56.6 inch (1438 mm) overall width.

GENERAL SPECIFICATIONS GC135VX

		Yale			
GENERAL	1	Manufacturer	GC135VX		
	2	Model	GC135VX		
		Engine	Kubota 3.8L LPG	Kubota 3.8L DOC	
	3	Rated Capacity	lb (kg)	13,500 (6,000)	
	4	Load Center, Distance	in (mm)	24 (610)	
	5	Engine/Power Type - Gasoline, LPG, Diesel	LPG	Diesel	
	6	Operator Type	Seated Rider		
	7	Step Height	in (mm)	20.9 (531)	
	8	Tire Type - Cushion, Solid, Pneumatic	Cushion		
9	Wheels, Number - Front/Rear (X = driven)	2X/2			
DIMENSIONS	10	Lift Height, w/LBR (TOF) (Rounded Down)	in (mm)	133 (3400)	
	11a	Std Free Lift Height (TOF) (Rounded Down)	in (mm)	6 (160)	
	11b	Optional Full Free Lift w/ LBR (TOF) (Rounded Down)	in (mm)	50 (1295)	
	12	Standard Carriage Width	in (mm)	48 (1219)	
	13	Standard Forks, Thickness x Width x Length	in (mm)	2.4 x 5.9 x 48 (60 x 150 x 1219)	
	14	Standard Fork Spread, Maximum Outside Dimensions	in (mm)	43.7 (1109)	
	15	Mast Tilt, Forward/Backward	degrees	6/10	
	16	Overall Length (to Face of Forks)	in (mm)	115.3 (2930)	
	17	Overall Width	in (mm)	56.6 (1438)	
	18	Height, Standard Mast - Lowered	in (mm)	107 (2697)	
	19a	Height, Standard Mast - Extended w/o LBR (Rounded Up)	in (mm)	183 (4632)	
	19b	Height, Standard Mast - Extended w/ LBR (Rounded Up)	in (mm)	181 (4575)	
	20a	Height, Standard Overhead Guard (High) (Rounded Up)	in (mm)	91 (2302)	
	20b	Height, Standard Overhead Guard (Short) (Rounded Up)	in (mm)	88 (2235)	
	21a	Turning Radius, Minimum Outside (OTR)	in (mm)	101.8 (2585)	
	22	Length, Center of Wheels to Face of Forks	in (mm)	19.6 (498)	
23a	Aisle Width, Right Angle Stack (Add Length of Load)	in (mm)	121.4 (3083)		
24	Equal Aisle, 90-Degree Intersecting Aisle	in (mm)	91.2 (2317)		
PERFORMANCE	25a	Travel Speed Fwd, RL/NL w/ 2-speed (Fwd) Transmission	mph (km/h)	12.0/12.5 (19.4/20.1)	12.4/12.9 (20.0/20.7)
	25b	Travel Speed Fwd, RL/NL w/ 3-speed (Fwd) Transmission	mph (km/h)	12.5/13.0 (20.1/20.8)	12.6/13.0 (20.2/20.8)
	26a	Lift Speed, Standard 2-Stage LFL RL/NL	ft / min (m/s)	104/106 (0.53/0.54)	94/96 (0.48/0.49)
	26b	Lift Speed, Optional 3-Stage FFL RL/NL	ft / min (m/s)	100/102 (0.51/0.52)	93/93 (0.47/0.47)
	27a	Lowering Speed, Standard 2-Stage LFL RL/NL	ft / min (m/s)	114/104 (0.58/0.53)	
	27b	Lowering Speed, Optional 3-Stage FFL RL/NL	ft / min (m/s)	104/81 (0.53/0.41)	
	28a	2-Spd Xmsn Drawbar Pull @ Maximum RL/NL	lb (kg)	10000/4800 (4536/2177)	10000/4821 (4536/2187)
	28b	3-Spd Xmsn Drawbar Pull @ Maximum RL/NL	lb (kg)	10000/4800 (4536/2177)	10000/4821 (4536/2187)
	29a	2-Spd Xmsn Gradeability @ 1 mph RL/NL	lb (kg)	31/24	31/24
29b	3-Spd Xmsn Gradeability @ 1 mph RL/NL	%	31/ 24	31/ 24	
WT.	30	Weight, Standard Truck NL	lb (kg)	19200 (8709)	
	31	Weight, Standard Truck RL	lb (kg)	32700 (14832)	
	32	Axle Loading, Static Front/Rear NL	lb (kg)	7860/11340 (3565/5144)	
	33	Axle Loading, Static Front/Rear RL	lb (kg)	29520/3180 (13390/1442)	
TIRES & WHEELS	34	Tire Size, Front	28 x 12 x 22		
	35	Tire Size, Rear	22 x 12 x 16		
	36	Wheelbase	in (mm)	72.0 (1830)	
	37	Ground Clearance Under Mast, RL	in (mm)	4.1 (104)	
	38	Ground Clearance, Center of Wheelbase	in (mm)	7.4 (188)	
	39	Service Brake - Method of Control/Operation	Foot / Hydraulic		
	40	Park Brake - Method of Control/Operation	Hand / Mechanical		
POWERTRAIN	41	Battery Type	Maintenance Free		
	42	Volts / Cold Cranking Amps	v / cca	12V/900	12V/900
	43	Engine Manufacturer	Kubota 3.8L LPG		Kubota 3.8L Turbo Diesel
	44	Engine Power @ Governed Speed	hp (kw)	91 (68) @ 2400 RPM	74 (55) @ 2200 RPM
	45	Torque @ Rated RPM	ft lbs. (N m)	221 (300) @ 1000 RPM	227 (309) @ 1400RPM
	46	Number of Cylinders / Displacement	No / cc (ci)	4/3769 (230)	4/3769 (230)
	47	Transmission Type, Standard	Powershift		
	48a	Standard Speeds, Forward/Reverse	2/2		
	48b	Optional Speeds, Forward/Reverse	3/2		
	49	Hydraulic Tank Capacity (Drain and Refill)	gal (liter)	19.8 (74.9)	
	50	Fuel Tank Capacity (Diesel Powered Units Only)	gal (liter)	N/A	17.4 (65.8)
51	Auxillary Hydraulic Pressure Relief for Attachments	PSI (Mpa)	2250 (155)		

RL = Rated Load, NL = No Load

GENERAL SPECIFICATIONS GC155VX

		Yale	
GENERAL	1	Manufacturer	Yale
	2	Model	GC155VX
		Engine	Kubota 3.8L LPG Kubota 3.8L DOC
	3	Rated Capacity	lb (kg) 15,500 (7,000)
	4	Load Center, Distance	in (mm) 24 (610)
	5	Engine/Power Type - Gasoline, LPG, Diesel	LPG Diesel
	6	Operator Type	Seated Rider
	7	Step Height	in (mm) 20.9 (531)
	8	Tire Type - Cushion, Solid, Pneumatic	Cushion
9	Wheels, Number - Front/Rear (X = driven)	2X/2	
DIMENSIONS	10	Lift Height, w/LBR (TOF) (Rounded Down)	in (mm) 133 (3400)
	11a	Std Free Lift Height (TOF) (Rounded Down)	in (mm) 6 (160)
	11b	Optional Full Free Lift w/ LBR (TOF) (Rounded Down)	in (mm) 50 (1295)
	12	Standard Carriage Width	in (mm) 48 (1219)
	13	Standard Forks, Thickness x Width x Length	in (mm) 2.4 x 5.9 x 47 (60 x 150 x 1219)
	14	Standard Fork Spread, Maximum Outside Dimensions	in (mm) 43.7 (1109)
	15	Mast Tilt, Forward/Backward	degrees 6/10
	16	Overall Length (to Face of Forks)	in (mm) 115.3 (2930)
	17	Overall Width	in (mm) 56.6 (1438)
	18	Height, Standard Mast - Lowered	in (mm) 107 (2697)
	19a	Height, Standard Mast - Extended w/o LBR (Rounded Up)	in (mm) 183 (4632)
	19b	Height, Standard Mast - Extended w/ LBR (Rounded Up)	in (mm) 181 (4575)
	20a	Height, Standard Overhead Guard (High) (Rounded Up)	in (mm) 91 (2302)
	20b	Height, Standard Overhead Guard (Short) (Rounded Up)	in (mm) 88 (2235)
	21a	Turning Radius, Minimum Outside (OTR)	in (mm) 101.8 (2585)
22	Length, Center of Wheels to Face of Forks	in (mm) 19.6 (498)	
23a	Aisle Width, Right Angle Stack (Add Length of Load)	in (mm) 121.4 (3083)	
24	Equal Aisle, 90-Degree Intersecting Aisle	in (mm) 91.2 (2317)	
PERFORMANCE	25a	Travel Speed Fwd, RL/NL w/ 2-speed (Fwd) Transmission	mph (km/h) 12.0/12.5 (19.4/20.1) 12.4/12.9 (20.0/20.7)
	25b	Travel Speed Fwd, RL/NL w/ 3-speed (Fwd) Transmission	mph (km/h) 12.5/13.0 (20.1/20.8) 12.6/13.0 (20.2/20.8)
	26a	Lift Speed, Standard 2-Stage LFL RL/NL	ft / min (m/s) 104/106 (0.53/0.54) 94/96 (0.48/0.49)
	26b	Lift Speed, Optional 3-Stage FFL RL/NL	ft / min (m/s) 100/102 (0.51/0.52) 93/93 (0.47/0.47)
	27a	Lowering Speed, Standard 2-Stage LFL RL/NL	ft / min (m/s) 114/104 (0.58/0.53)
	27b	Lowering Speed, Optional 3-Stage FFL RL/NL	ft / min (m/s) 104/81 (0.53/0.41)
	28a	2-Spd Xmsn Drawbar Pull @ Maximum RL/NL	lb (kg) 10000/5069 (4536/2299) 10000/5090 (4536/2309)
	28b	3-Spd Xmsn Drawbar Pull @ Maximum RL/NL	lb (kg) 10000/5069 (4536/2299) 10000/5090 (4536/2309)
	29a	2-Spd Xmsn Gradeability @ 1 mph RL/NL	lb (kg) 27/23 28/23
29b	3-Spd Xmsn Gradeability @ 1 mph RL/NL	% 27/23 28/23	
WT.	30	Weight, Standard Truck NL	lb (kg) 21100 (9571)
	31	Weight, Standard Truck RL	lb (kg) 36600 (16601)
	32	Axle Loading, Static Front/Rear NL	lb (kg) 9269/11745 (4204/5327)
	33	Axle Loading, Static Front/Rear RL	lb (kg) 33140/3460 (15032/1569)
TIRES & WHEELS	34	Tire Size, Front	28 x 12 x 22
	35	Tire Size, Rear	22 x 12 x 16
	36	Wheelbase	in (mm) 72.0 (1830)
	37	Ground Clearance Under Mast, RL	in (mm) 4.1 (104)
	38	Ground Clearance, Center of Wheelbase	in (mm) 7.4 (188)
	39	Service Brake - Method of Control/Operation	Foot / Hydraulic
	40	Park Brake - Method of Control/Operation	Hand / Mechanical
POWERTRAIN	41	Battery Type	Maintenance Free
	42	Volts / Cold Cranking Amps	v / cca 12V/900 12V/900
	43	Engine Manufacturer	Kubota 3.8L LPG Kubota 3.8L Turbo Diesel
	44	Engine Power @ Governed Speed	hp (kw) 91 (68) @ 2400 RPM 74 (55) @ 2200 RPM
	45	Torque @ Rated RPM	ft lbs. (N m) 221 (285) @ 1000 RPM 227 (309) @ 1400RPM
	46	Number of Cylinders / Displacement	No / cc (ci) 4/4302 (230) 4/3769 (230)
	47	Transmission Type, Standard	Powershift
	48a	Standard Speeds, Forward/Reverse	2/2
	48b	Optional Speeds, Forward/Reverse	3/2
	49	Hydraulic Tank Capacity (Drain and Refill)	gal (liter) 19.8 (74.9)
	50	Fuel Tank Capacity (Diesel Powered Units Only)	gal (liter) N/A 17.4 (65.8)
51	Auxiliary Hydraulic Pressure Relief for Attachments	PSI (Mpa) 2250 (155)	

RL = Rated Load, NL = No Load

FEATURES LIST

STANDARD FEATURES

Kubota 3.8L LPG, EPA/CARB emissions compliant engine
Electronic powershift transmission
– Hydraulic inching
– Electronic shift control
– 2 speeds forward, 2 speeds reverse
Oil-cooled wet disc brakes
Foot direction control pedal
2-Stage limited free-lift (LFL) Hi-Vis™ mast with maximum fork height of 133" (2400 mm)
48.0" (1219 mm) wide hook-type carriage with 48.0" (1219) tall load backrest extension
48.0" (1219 mm) long forks
6 degrees forward and 10 degrees backward mast tilt
3-function hydraulic control valve
Integrated dashboard display includes:
– LCD display:
– Fuel level (gasoline or diesel only)
– Hour meter
– Coolant temperature
– Clock
– Messages
Service indicator lights:
– Alternator
– Transmission oil temperature
– Engine oil pressure
– Brake fluid level
– Fasten seat belt
– Low fuel level
– Engine malfunction
– System malfunction
– Park brake
– Coolant temperature
– Forward, reverse and neutral direction indicators
Hydrostatic power steering
Non-suspension vinyl seat
No-cinch seat belt
Electronic horn
Adjustable steer column
Rubber floor mat
High air intake
Integral tie downs
Operator restraint system
Combi-cooler radiator
Single pedal inch brake
Continuous Stability System (CSS)
Cowl-mounted hydraulic control levers
Swing out LPG tank bracket
Pressure sensing low LPG fuel sensor
91" (2302 mm) tall overhead guard
12 months / 2,000 hours manufacturer's warranty
36 months / 6,000 hours manufacturer's powertrain warranty
Operator's manual
UL Classification LP

OPTIONAL FEATURES

Kubota 3.8L DOC EPA Certified Tier 4 Final turbo diesel engine
– Maintenance-free emissions system
Techtronix 332™ transmission
– Auto deceleration system
– Controlled power reversal feature
– Controlled roll back on ramps
– 3 speeds forward, 2 speeds reverse
– Higher travel speed and gradeability
Powertrain protection system
Premium monitoring
High air intake with pre-cleaner
Accumulator
Keyless start (with auxiliary key switch)
Optional short height overhead guard
Powertrain protection system
Paper applications kit
Vented hood
Heavy duty engine modification
Swing-out, drop down EZ-Tank™ LPG tank bracket
Optical sensing low LPG fuel sensor (Accutouch™)
Return to set tilt
Accutouch™ electro-hydraulic mini-lever controls
– Fully adjustable armrest
– On-demand hydraulic system
Rear drive handle with horn button
Full suspension seat - vinyl or cloth
Swivel full-suspension seat - vinyl or cloth
On-demand cooling system
High-visibility non-cinch seat belt with or without interlock
Impact monitor
Load weight display
Operator pre-shift checklist
Lever shift directional control
Seat side directional control mounted on Accutouch e-hydraulic control armrest
Dual-inch brake pedals
Operator password protection
Audible reverse activated 82-102 dB (A) self-adjusting alarm
Visible amber strobe light - continuously activated, overhead guard mounted
Parts publications - printed or CD, serial number specific
UL Classification LPG, D, DS
Various light packages with halogen or highly intensity LED's
Non-marking smooth tires

About Yale®



Yale Materials Handling Corporation is one of the oldest manufacturers of lift trucks in the world. We've been in the business of lifting since 1875 and we apply that experience to help customers solve materials handling challenges. Our full line of lift trucks range in capacity from 2,000 to 36,000 pounds and are powered by internal combustion engines or electric options. Yale also offers robotic solutions, telemetry, fleet management, parts, financing and training. From traditional lift truck equipment to emerging technologies, our goal, every day, is to work with our nationwide dealer network to continually improve and provide the solutions you need, when and how you need them.

MATERIALS HANDLING FOR:



3PL



Auto Parts
Distribution



Beverage



Cold & Frozen
Foods



Food
Distribution



Food
Processing



Furniture &
Furnishings



Health &
Pharma



Home
Centers



Printing &
Publishing




Retail &
E-Commerce

Yale Materials Handling Corporation

P.O. Box 7367
Greenville, NC 27835-7367
U.S.A.

www.yale.com

YALE,  and PEOPLE. PRODUCTS. PRODUCTIVITY, are trademarks, service marks or registered marks in the United States and certain other jurisdictions. © Yale Materials Handling Corporation 2021. All Rights Reserved.

Trucks may be shown with optional equipment. Truck performance may be affected by the condition of the vehicle, how it is equipped and the application. Specifications are subject to change without notice. Consult your Yale® Dealer if any of the information shown is critical to your application.

CERTIFICATION: Yale lift trucks meet the design and construction requirements of B56.1-1969, per OSHA Section 1910.178(a)(2), and also comply with the B56.1 revision in effect at time of manufacture. Classified by Underwriters' Laboratories, Inc.