



M010E/S

SPEC SHEET

1,000 kg

M0E/S Series

Medium and High Level
Order Picker

VDI 2198 – GENERAL SPECIFICATIONS – MOE SERIES

			Yale			
			MO10E 7 FC	MO10E 14 FC	MO10E 12	MO10E 12 SL
GENERAL	1.1	Manufacturer				
	1.2	Model designation				
	1.3	Drive	Electric (battery)			
	1.4	Operator type	Order-picker			
	1.5	Rated capacity/Rated load	Q (t) 1.0			
	1.6	Load centre distance	c (mm) 600			
	1.8	Load distance, centre of drive axle to fork ⁽¹⁾	x (mm) 144		96 166	
	1.9	Wheelbase	y (mm) 1390			
	WEIGHT	2.1	Service weight ⁽²⁾⁽³⁾	kg 1550	1750	1600
2.2		Axle loading, laden front/rear	kg 350 / 2200	350 / 2400	350 / 2250	350 / 2350
2.3		Axle loading, unladen front/rear	kg 900 / 650	950 / 800	900 / 700	950 / 750
TYRES	3.1	Tyres front/rear	Vulkollan			
	3.2	Tyre size, front	ø (mm x mm) 254 x 125			
	3.3	Tyre size, rear	ø (mm x mm) 125 x 94			
	3.5	Wheels, number front/rear (x = driven wheels)	1x / 2			
	3.7	Tread, rear	b ₁₁ (mm) 660			
DIMENSIONS	4.2	Height, mast lowered	h ₁ (mm) 1074	1794	1654	
	4.4	Lift	h ₃ (mm) 690	1410	1010	
	4.5	Height, mast extended ⁽⁴⁾	h ₄ (mm) -	-		2664
	4.7	Height of overhead guard (cabin) ⁽⁴⁾	h ₆ (mm) 1957 ⁽⁵⁾	-		-
	4.8	Seat height relating to SIP/stand height	h ₇ (mm) -	180		-
	4.11	Additional lift	h ₉ (mm) -	-	690	
	4.14	Stand height, elevated	h ₁₂ (mm) -	-		1190
	4.15	Height, lowered	h ₁₃ (mm) 80 ⁽⁶⁾	80		80 ⁽⁶⁾
	4.19	Overall length ⁽¹⁾⁽⁷⁾	l ₁ (mm) 2907	2874		2929
	4.20	Length to face of forks ⁽¹⁾⁽⁷⁾	l ₂ (mm) 1767	1719		1789
	4.21	Overall width ⁽⁸⁾	b ₁ /b ₂ (mm) 796	-		780
	4.22	Fork dimensions DIN ISO 2331 ⁽⁹⁾	s/e/l (mm) 60 / 180 / 1140	60 / 180 / 1155		60 / 180 / 1140
	4.23	Fork carriage ISO 2328, class/type A, B	No			
	4.24	Fork-carriage width ⁽¹⁰⁾	b ₃ (mm) 700	-		700
	4.25	Distance between fork-arms ⁽¹¹⁾	b ₅ (mm) 560	526		560
	4.31	Ground clearance, laden, below mast	m ₁ (mm) 135	135		135
	4.32	Ground clearance, center of wheelbase	m ₂ (mm) -	30		-
	4.33	Load dimension b ₁₂ × l ₆ lengthwise	b ₁₂ × l ₆ (mm) -	800 × 1200		-
	4.34.1	Aisle width for pallets 1000mm x 1200mm crossways ⁽¹²⁾	Ast (mm) 3256	-		3277
	4.34.2	Aisle width for pallets 800mm x 1200mm lengthwise ⁽¹²⁾	Ast (mm) 3224	-		3245
4.35	Turning radius	Wa (mm) -	1622		-	
PERFORMANCE	5.1	Travel speed, laden/unladen	km/h 10.1 / 10.4		10.1 / 10.5	
	5.2	Lift speed, laden/unladen (Cab)	m/s -		0.17 / 0.25 0.11 / 0.21	
	5.2.1	Lift speed, laden/unladen (SL)	m/s 0.09 / 0.18		- 0.09 / 0.18	
	5.3	Lowering speed, laden/unladen (Cab)	m/s -		0.29 / 0.25 0.26 / 0.14	
	5.3.1	Lowering speed, laden/unladen (SL)	m/s 0.20 / 0.07		- 0.20 / 0.07	
	5.7	Gradeability, laden/unladen	%		5 / 8	
	5.8	Max. gradeability, laden/unladen	%		5 / 8	
	5.9	Acceleration time, laden/unladen	s		5.5 / 7.5	
	5.10	Service brake	Electromagnetic			
	ELECTRIC	6.1	Drive motor S2 60 minute rating	km/h 4		-
6.2		Lift motor, S3 15% rating	km/h 2		-	
6.3		Battery according to DIN 43531/35/36 A,B,C, no	No			
6.4		Battery voltage/nominal capacity K5	V/Ah 24 / 500		24 / 620 ⁽³⁾	
6.5		Battery weight ⁽²⁾	kg 370		485	
6.6		Energy consumption according to VDI cycle	kWh/h @ no. of cycles	2.28	2.35	2.30
8.1	Type of drive unit	AC-Controller				
10.7	Sound pressure level at the driver's seat	dB (A)		< 70		

(1) Note for SL model:

With FEM carriage and forks 80 x 30mm + 20mm
With FEM carriage and forks 100 x 35mm + 25mm

(2) These values may vary of +/- 5%

(3) Available battery 560Ah. With battery 560Ah service weight -9kg

(4) Note for models with over head guard:
With Lift Interrupt mounted on OHG h₆ + 80mm

(5) Model without cabin; the value is referred to the overall height, without load backrest

(6) Note for SL model:

With FEM carriage and forks 80 x 30mm and 100 x 35mm h₁₃ = 40mm

(7) With wire guidance l₁ and l₂ + 40mm

(8) Note for SL model:
With FEM carriage b₂ = 800mm

(9) Note for SL model:
Available also FEM carriage and fork size 80 x 30mm (600Kg @ 600mm, 800Kg @ 500mm, 1000Kg @ 400mm) and 100 x 35mm with 1000Kg @ 600mm

VDI 2198 – GENERAL SPECIFICATIONS – MOE SERIES

		Yale				
		MO10E 17 SL ⁽¹³⁾	MO10E 17 WP ⁽¹⁴⁾	MO10E 48 SL ⁽¹⁵⁾	MO10E 48 WP ⁽¹⁶⁾	
GENERAL	1.1	Manufacturer				
	1.2	Model designation				
	1.3	Drive	Electric (battery)			
	1.4	Operator type	Order-picker			
	1.5	Rated capacity/Rated load	Q (t) 1.0			
	1.6	Load centre distance	c (mm) 600			
	1.8	Load distance, centre of drive axle to fork ⁽¹⁾	x (mm) 166		157	166
	1.9	Wheelbase	y (mm) 1390		1510	
	WEIGHT	2.1	Service weight ⁽²⁾⁽³⁾	kg 1800	2000	2736
2.2		Axle loading, laden front/rear	kg 350 / 2450	350 / 2650	1034 / 2702	1223 / 2652
2.3		Axle loading, unladen front/rear	kg 950 / 850	950 / 1050	1523 / 1213	1755 / 1120
TYRES	3.1	Tyres front/rear	Vulkollan			
	3.2	Tyre size, front	ø (mm x mm) 254 x 125			
	3.3	Tyre size, rear	ø (mm x mm) 125 x 94			
	3.5	Wheels, number front/rear (x = driven wheels)	1x / 2			
	3.7	Tread, rear	b ₁₁ (mm) 660		830	
DIMENSIONS	4.2	Height, mast lowered	h ₁ (mm) 2270		3075	
	4.4	Lift	h ₃ (mm) 1510		4628	
	4.5	Height, mast extended ⁽⁴⁾	h ₄ (mm) 3800		6898	
	4.7	Height of overhead guard (cabin) ⁽⁴⁾	h ₆ (mm) 2270			
	4.8	Seat height relating to SIP/stand height	h ₇ (mm) 180			
	4.11	Additional lift	h ₉ (mm) 690	-	690	-
	4.14	Stand height, elevated	h ₁₂ (mm) 1710 ⁽¹⁷⁾		4808 ⁽¹⁷⁾	
	4.15	Height, lowered	h ₁₃ (mm) 80 ⁽⁶⁾		80	
	4.19	Overall length ⁽¹⁾⁽⁷⁾	l ₁ (mm) 2929	3099	3040	3220
	4.20	Length to face of forks ⁽¹⁾⁽⁷⁾	l ₂ (mm) 1789		1900	1910
	4.21	Overall width ⁽⁸⁾	b ₁ /b ₂ (mm) 780	780 / 996	950	950 / 996
	4.22	Fork dimensions DIN ISO 2331 ⁽⁹⁾	s/e/l (mm) 60 / 180 / 1140			
	4.23	Fork carriage ISO 2328, class/type A, B	No			
	4.24	Fork-carriage width ⁽¹⁰⁾	b ₃ (mm) 700	880	700	880
	4.25	Distance between fork-arms ⁽¹¹⁾	b ₅ (mm) 560			
	4.31	Ground clearance, laden, below mast	m ₁ (mm) 135			
	4.32	Ground clearance, center of wheelbase	m ₂ (mm) 30	0		30
4.33	Load dimension b ₁₂ × l ₆ lengthwise	b ₁₂ × l ₆ (mm) 800 x 1200				
4.34.1	Aisle width for pallets 1000mm x 1200mm crossways ⁽¹²⁾	Ast (mm) 3277	-	397	-	
4.34.2	Aisle width for pallets 800mm x 1200mm lengthwise ⁽¹²⁾	Ast (mm) 3245	3377	3365	3497	
4.35	Turning radius	Wa (mm) 1622		1742		
PERFORMANCE	5.1	Travel speed, laden/unladen	km/h 10.1 / 10.5		8.6 / 9.5	
	5.2	Lift speed, laden/unladen (Cab)	m/s 0.11 / 0.21		0.15 / 0.20	
	5.2.1	Lift speed, laden/unladen (SL)	m/s 0.09 / 0.18		0.15 / 0.20	
	5.3	Lowering speed, laden/unladen (Cab)	m/s 0.09 / 0.18		-	-
	5.3.1	Lowering speed, laden/unladen (SL)	m/s 0.26 / 0.14		0.28 / 0.24	0.27 / 0.23
	5.7	Gradeability, laden/unladen	m/s 0.20 / 0.07		-	0.20 / 0,07
	5.8	Max. gradeability, laden/unladen	%			
	5.8	Max. gradeability, laden/unladen	5 / 8			
	5.9	Acceleration time, laden/unladen	%			
	5.9	Acceleration time, laden/unladen	5 / 8			
5.9	Acceleration time, laden/unladen	s 5.5 / 7.5				
5.10	Service brake	Electromagnetic				
ELECTRIC	6.1	Drive motor S2 60 minute rating	km/h 4			
	6.2	Lift motor, S3 15% rating	km/h 3			
	6.3	Battery according to DIN 43531/35/36 A,B,C, no	No			
	6.4	Battery voltage/nominal capacity K5	V/Ah 24 / 620 ⁽³⁾			
	6.5	Battery weight ⁽²⁾	kg 485			
	6.6	Energy consumption according to VDI cycle	kWh/h @ no. of cycles 2.40		2.86	2.90
8.1	Type of drive unit	AC-Controller				
10.7	Sound pressure level at the driver's seat	dB (A) < 70				

(10) Note for SL model:
With FEM carriage b₃ = 800mm

(11) Note for SL model:
With FEM carriage and forks 80 x 30mm b₅ = 753mm
With FEM carriage and forks 100 x 35mm b₅ = 773mm

(12) Transfer aisle widths (lines 4.34.1 & 4.34.2) are based on the VDI standard calculation as shown on illustration. The British Industrial Truck Association recommends the addition of 100mm to the total clearance (dimension a) for extra operating margin at the rear of the truck

(13) Available models MO10E 19 SL

(14) Available models MO10E 19 WP

(15) Available models MO10E 32/36/40/44 SL

(16) Available models MO10E 32/36/40/44 WP

All values are nominal values and they are subject to tolerances.

VDI 2198 – GENERAL SPECIFICATIONS – M010, M010S

				Yale		
GENERAL	1.1	Manufacturer				
	1.2	Model designation		M010	M010S	
	1.3	Drive		Electric (battery)		
	1.4	Operator type		Order-picker		
	1.5	Rated capacity/Rated load	Q (t)	1.0		
	1.6	Load centre distance	c (mm)	600		
	1.8	Load distance, centre of drive axle to fork ⁽¹⁾	x (mm)	190	150 ⁽²⁾⁽¹⁸⁾	
	1.9	Wheelbase	y (mm)	1534.5	1574.5	1674.5
	WEIGHT	2.1	Service weight ⁽¹⁴⁾	kg	2890	3259
2.2		Axle loading, laden front/rear	kg	1060 / 2830	1509 / 2750	1763 / 3310
2.3		Axle loading, unladen front/rear	kg	1650 / 1240	1942 / 1317	2204 / 1869
TYRES	3.1	Tyres front/rear		Vulkollan		
	3.2	Tyre size, front	ø (mm x mm)	343 x 140		
	3.3	Tyre size, rear	ø (mm x mm)	200 x 80		
	3.5	Wheels, number front/rear (x = driven wheels)		1 x / 2		
	3.7	Tread, rear	b ₁₁ (mm)	877	977	1057
DIMENSIONS	4.2	Height, mast lowered	h ₁ (mm)	3070	3320	3720
	4.4	Lift	h ₃ (mm)	4670	5170	8895
	4.5	Height, mast extended ⁽³⁾⁽⁴⁾	h ₄ (mm)	7040	7540	11265
	4.7	Height of overhead guard (cabin) ⁽³⁾⁽⁴⁾	h ₆ (mm)	2370		
	4.8	Seat height relating to SIP/stand height	h ₇ (mm)	250		
	4.11	Additional Lift	h ₉ (mm)	770		
	4.14	Stand height, elevated	h ₁₂ (mm)	4920	5420	9145
	4.15	Height, lowered ⁽⁵⁾	h ₁₃ (mm)	80		
	4.19	Overall length ⁽¹⁾	l ₁ (mm)	3087		3242
	4.20	Length to face of forks ⁽¹⁾	l ₂ (mm)	1947		1947
	4.21	Overall width	b ₁ /b ₂ (mm)	1000 / 1000	1100 / 1100	1100 / 1200
	4.22	Fork dimensions ⁽⁶⁾	s/e/l (mm)	60 / 180 / 1140		
	4.23	Fork carriage ISO 2328, class/type A, B		No		
	4.24	Fork-carriage width ⁽⁷⁾	b ₃ (mm)	780 ⁽¹³⁾		
	4.25	Distance between fork-arms ⁽⁸⁾	b ₅ (mm)	560 ⁽¹⁴⁾		
	4.27	Width across guide rollers	b ₆ (mm)	1130 ⁽¹⁵⁾	1230 ⁽¹⁵⁾	1430 ⁽¹⁵⁾
	4.31	Ground clearance, laden, below mast	m ₁ (mm)	80		
	4.32	Ground clearance, centre of wheelbase ⁽⁹⁾	m ₂ (mm)	60		
	4.33	Load dimension b ₁₂ × l ₆ lengthwise	b ₁₂ × l ₆ (mm)	800 x 1200		
	4.34.1	Transfer aisle width for pallets 1000mm x 1200mm lengthwise ⁽¹⁷⁾	Ast (mm)	4737	4816	5015
4.34.2	Transfer aisle width for pallets 800mm x 1200mm lengthwise ⁽¹⁷⁾	Ast (mm)	4721	4800	4999	
4.35	Turning radius	Wa (mm)	1757	1797	1897	
PERFORMANCE	5.1	Travel speed, laden/unladen	km/h	8.8 / 9		
	5.2	Lift speed, laden/unladen (Cab)	m/s	0.35 / 0.42	0.31 / 0.42	
	5.2.1	Lift speed, laden/unladen (SL)	m/s	0.22 / 0.24	0.2 / 0.24	
	5.3	Lowering speed, laden/unladen (Cab)	m/s	0.37 / 0.37	0.38 / 0.38	
	5.3.1	Lowering speed, laden/unladen (SL)	m/s	0.14 / 0.12		
	5.7	Gradeability, laden/unladen	%	6.3	6.2	5.8
	5.10	Service brake		Electromagnetic		
ELECTRIC	6.1	Drive motor S2 60 minute rating	km/h	6.4		
	6.2	Lift motor, S3 15% rating	km/h	12		
	6.3	Battery according to DIN 43531/35/36 A,B,C, no		No	DIN 43531 B	
	6.4	Battery voltage/nominal capacity K5	V/Ah	48 / 310 ⁽¹⁰⁾	48 / 465 ⁽¹¹⁾	48 / 620 ⁽¹²⁾
	6.5	Battery weight ⁽¹⁶⁾	kg	541	750	945
	6.6	Energy consumption according to VDI cycle	kWh/h @ no. of cycles	3.27kW		
	8.1	Type of drive unit		AC-Controller	AC	
	10.7	Sound pressure level at the driver's seat	dB (A)	59		

(1) With FEM carriage and Forks 100 x 35 add + 25mm

(2) With 3 stage mast add 55mm

(3) With Lift Interrupt mounted on OHG: h₆ and h₄ are increased by 105mm

(4) With flashing light fitted on Over Head Guard: h₆ and h₄ are increased by 120mm

(5) With Fem like carriage and Forks 80 x 30 and 100 x 35 h₁₃ = 40mm

(6) Available also FEM carriage and fork size 100 x 35 with 1000Kg @ 600mm

(7) With FEM carriage b₃ = 800mm

(8) With FEM carriage and Forks 100 x 35 b₅ max = 773mm

(9) Sensor height 30mm from the ground

(10) Additional battery available: 48/280 (541kg)

(11) Additional battery available: 48/420 (746kg)

(12) Additional battery available: 48/560 (937kg)

(13) Available 700mm and 860mm

(14) Available 520mm, 680mm, 830mm

(15) Available 1075mm and 1330mm

(16) These values may vary of +/- 5%

(17) Transfer aisle widths (lines 4.34.1 & 4.34.2) are based on the VDI standard calculation as shown on illustration. The British Industrial Truck Association recommends the addition of 100mm to the total clearance (dimension a) for extra operating margin at the rear of the truck

(18) With 2 stage mast reduce 55mm

VDI 2198 – GENERAL SPECIFICATIONS – M010S WP

GENERAL	1.1	Manufacturer		Yale	
	1.2	Model designation		M010S WP	
	1.3	Drive		Electric (battery)	
	1.4	Operator type		Order-picker	
	1.5	Rated capacity/Rated load	Q (t)	1.0	
	1.6	Load centre distance	c (mm)	600	
	1.8	Load distance, centre of drive axle to fork	x (mm)	162.5	
	1.9	Wheelbase	y (mm)	1574.5	1674.5
	WEIGHT	2.1	Service weight ⁽¹⁾	kg	3343
2.2		Axle loading, laden front/rear	kg	1539 / 2804	1573 / 3588
2.3		Axle loading, unladen front/rear	kg	19920 / 1351	2154 / 2007
TYRES	3.1	Tyres front/rear		Vulkollan	
	3.2	Tyre size, front	ø (mm x mm)	343 x 140	
	3.3	Tyre size, rear	ø (mm x mm)	200 x 80	200 x 100
	3.5	Wheels, number front/rear (x = driven wheels)		1 x / 2	
	3.7	Track width, rear	b ₁₁ (mm)	977	1057
DIMENSIONS	4.2	Height, mast lowered	h ₁ (mm)	3320	3470
	4.4	Lift	h ₃ (mm)	5170	8145
	4.5	Height, mast extended ^{(2) (3)}	h ₄ (mm)	7540	10515
	4.7	Height of overhead guard (cabin) ^{(2) (3)}	h ₆ (mm)	2370	2370
	4.8	Seat height relating to SIP/stand height	h ₇ (mm)	250	
	4.14	Stand height, elevated	h ₁₂ (mm)	5420	8395
	4.15	Height, lowered	h ₁₃ (mm)	80	
	4.19	Overall length	l ₁ (mm)	3260	3360
	4.20	Length to face of forks	l ₂ (mm)	1960	2060
	4.21	Overall width	b ₁ /b ₂ (mm)	1100 / 1100	1100 / 1200
	4.22	Fork dimensions	s/e/l (mm)	60 / 180 / 1150	
	4.23	Fork carriage ISO 2328, class/type A, B		No	
	4.24	Fork-carriage width	b ₃ (mm)	1080	1280
	4.25	Distance between fork-arms	b ₅ (mm)	560	
	4.27	Width across guide rollers	b ₆ (mm)	1230 ⁽⁴⁾	1430
	4.31	Ground clearance, laden, below mast	m ₁ (mm)	80	
	4.32	Ground clearance, centre of wheelbase	m ₂ (mm)	60	
	4.33	Load dimension b ₁₂ × l ₆ lengthwise	b ₁₂ × l ₆ (mm)	1000 x 1200	1200 x 1200
	4.34	Transfer aisle width ⁽⁵⁾	A _{st} (mm)	3575	3715
4.35	Turning radius	W _a (mm)	1798	1898	
PERFORMANCE	5.1	Travel speed, laden/unladen	km/h	8.8 / 9	
	5.2	Lift speed, laden/unladen (Cab)	m/s	0.37 / 0.43	
	5.3	Lowering speed, laden/unladen (Cab)	m/s	0.38 / 0.38	
	5.7	Gradeability, laden/unladen	%	-	
	5.10	Service brake		Electromagnetic	
ELECTRIC	6.1	Drive motor, S2 60 minute rating	kW	6.4	
	6.2	Lift motor S3 15% rating	kW	12	
	6.3	Battery according to DIN 43531/35/36 A,B,C, no		DIN 43531 B	
	6.4	Battery voltage/nominal capacity K5	V/Ah	48 / 465 ⁽⁶⁾	48 / 620 ⁽⁷⁾
	6.5	Battery weight ⁽¹⁾	kg	750	945
	6.6	Energy consumption according to VDI cycle	kWh/h	3.27kW	
8.1	Type of drive unit		AC-Controller		
10.7	Sound pressure level at the driver's seat	dB (A)	< 70		

(1) These values may vary of +/- 5%

(2) With Lift Interrupt mounted on Over Head Guard h₆ and h₄ are increased by 105mm

(3) With flashing light fitted on Over Head Guard h₆ and h₄ are increased by 120mm

(4) Available 1175mm and 1430mm

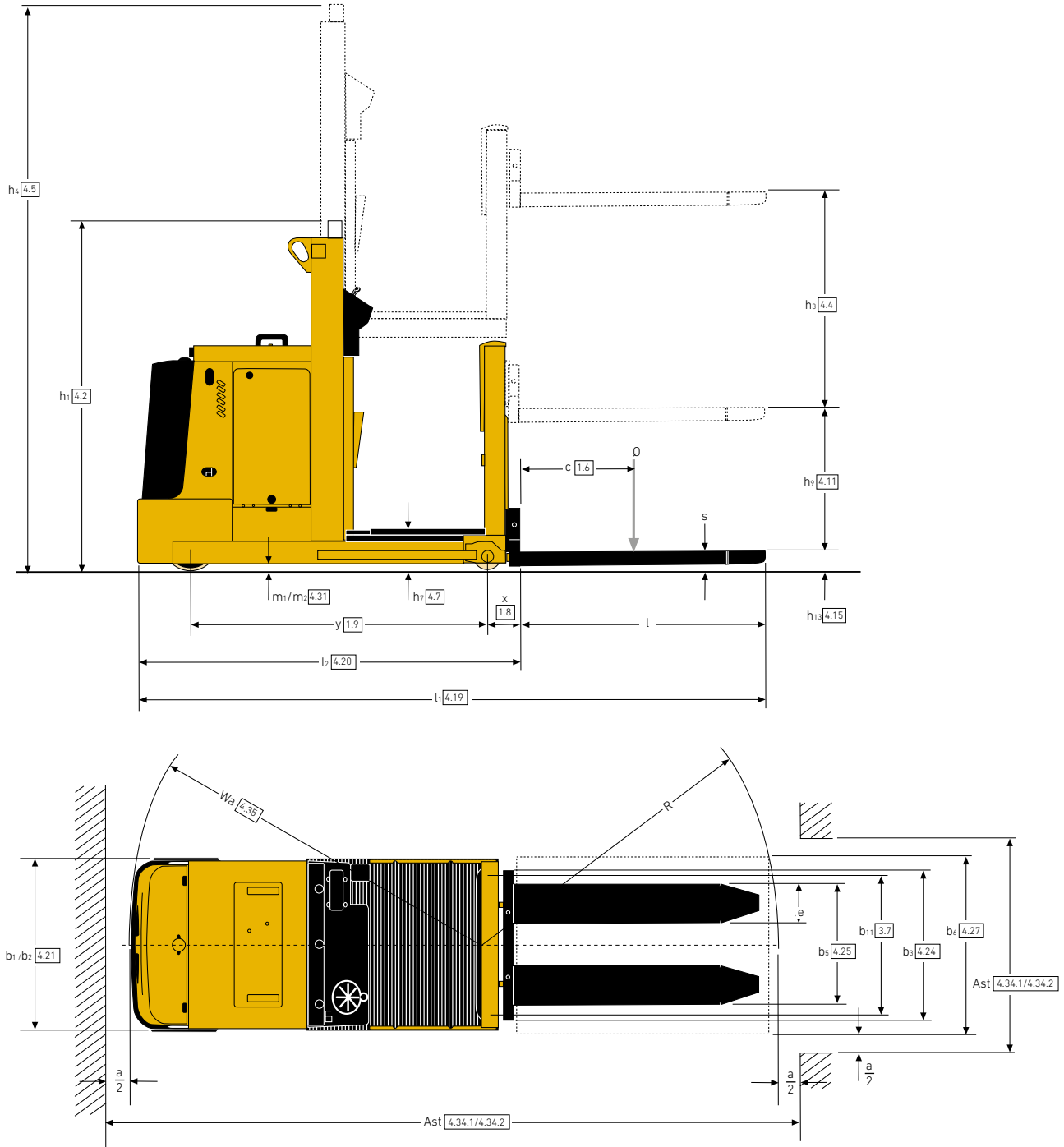
(5) Transfer aisle widths (lines 4.34.1 & 4.34.2) are based on the VDI standard calculation as shown on illustration. The British Industrial Truck Association recommends the addition of 100 mm to the total clearance (dimension a) for extra operating margin at the rear of the truck

(6) Additional battery available: 48/420 (746kg)

(7) Additional batterie available: 48/560 (937kg)

All values are nominal values and they are subject to tolerances.

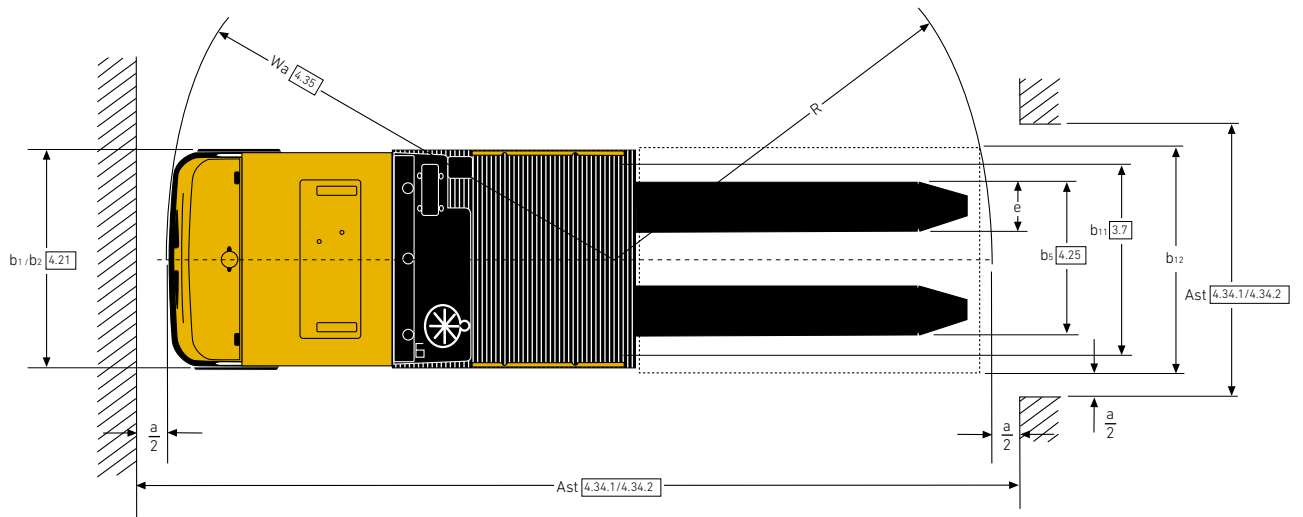
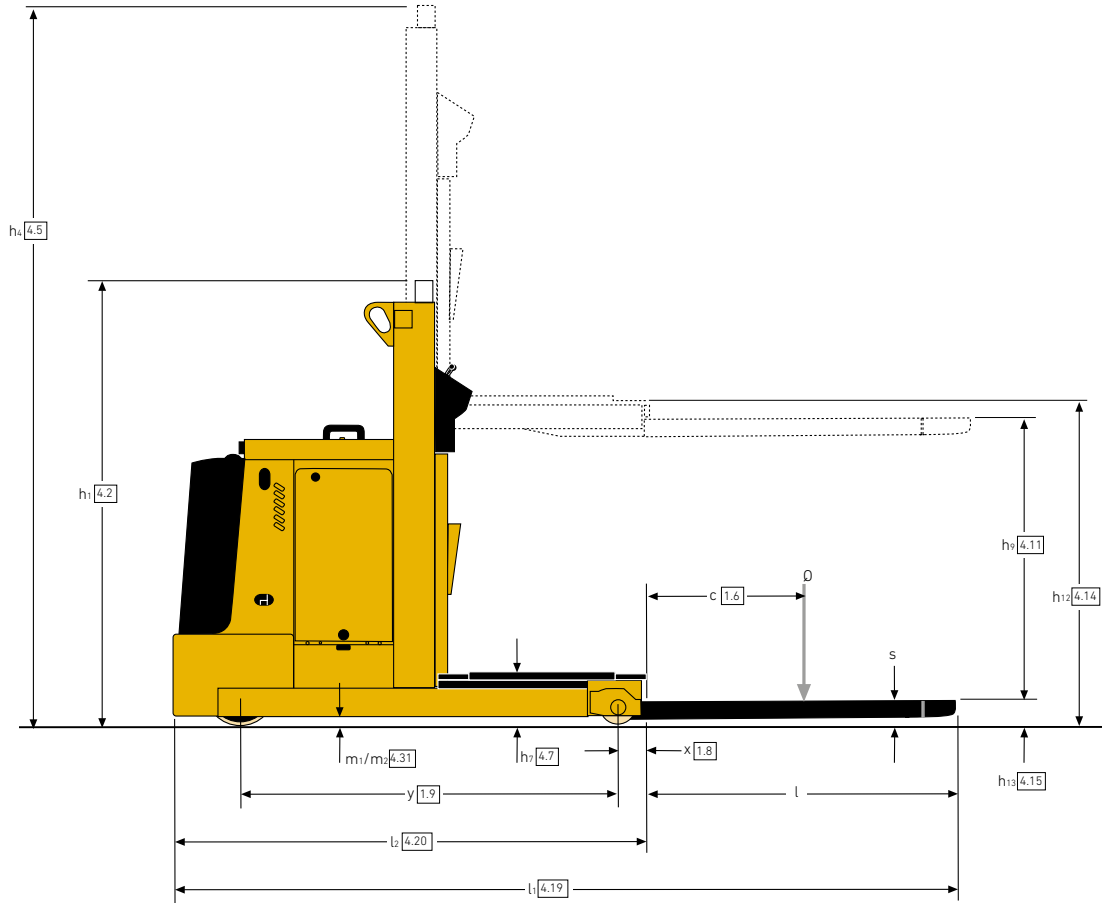
TRUCK DIMENSIONS – M010E 14 FC



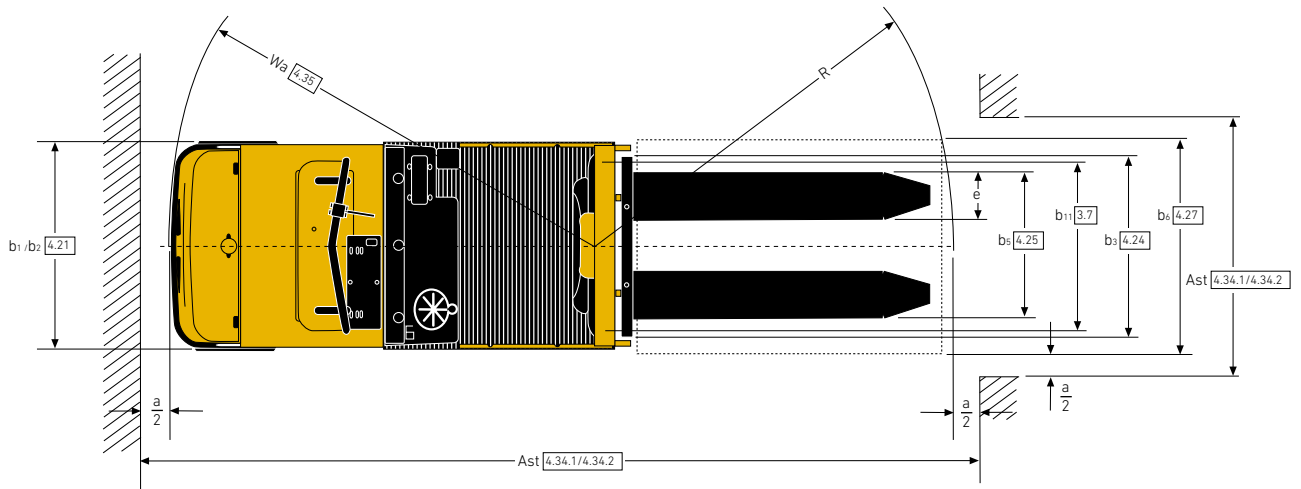
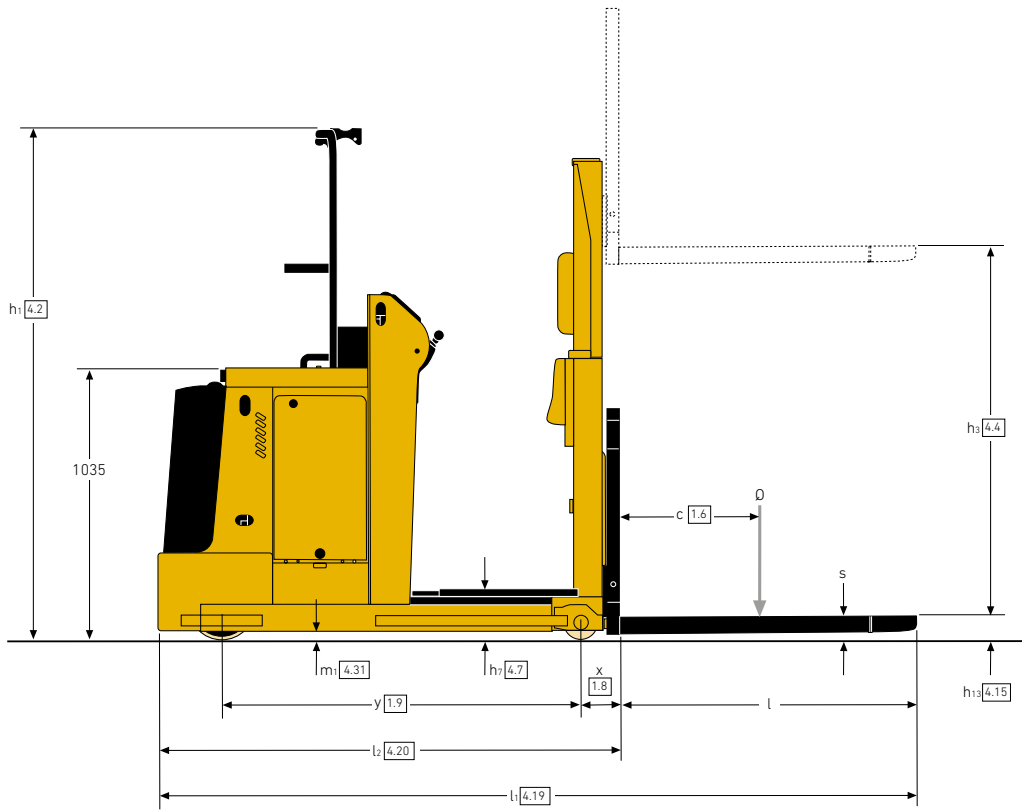
MAST DIMENSIONS – 2 STAGE WP – M010E 14 FC

Lift height h_3 (mm)	Fork lift H (mm)	Height, mast lowered h_1 (mm)	Height, mast extended h_4 (mm)	Stand height, elevated h_{12} (mm)
3028	3798	2275	5298	3208
3428	4198	2475	5698	3608
3828	4598	2675	6098	4008
4228	4998	2875	6498	4408
4628	5398	3075	6898	4808

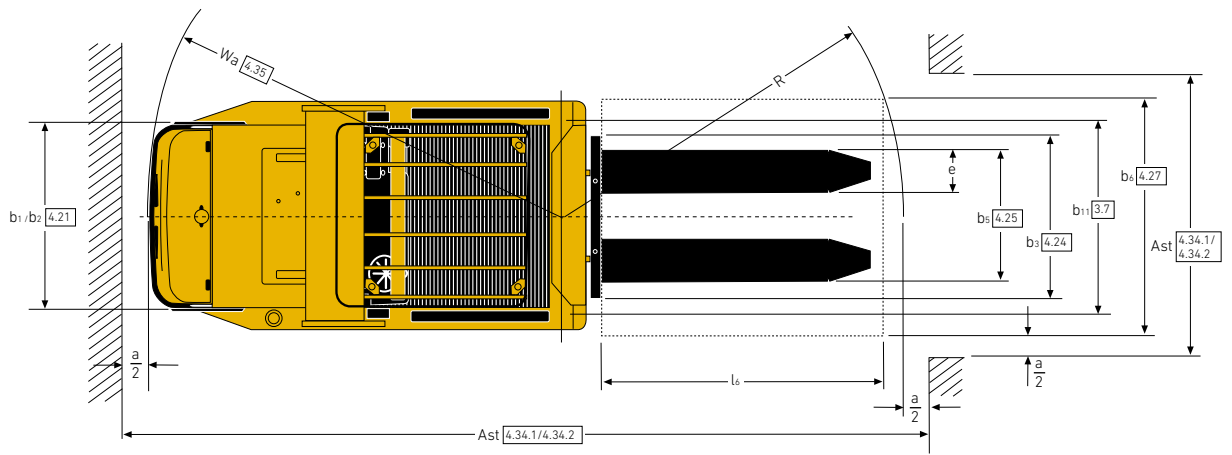
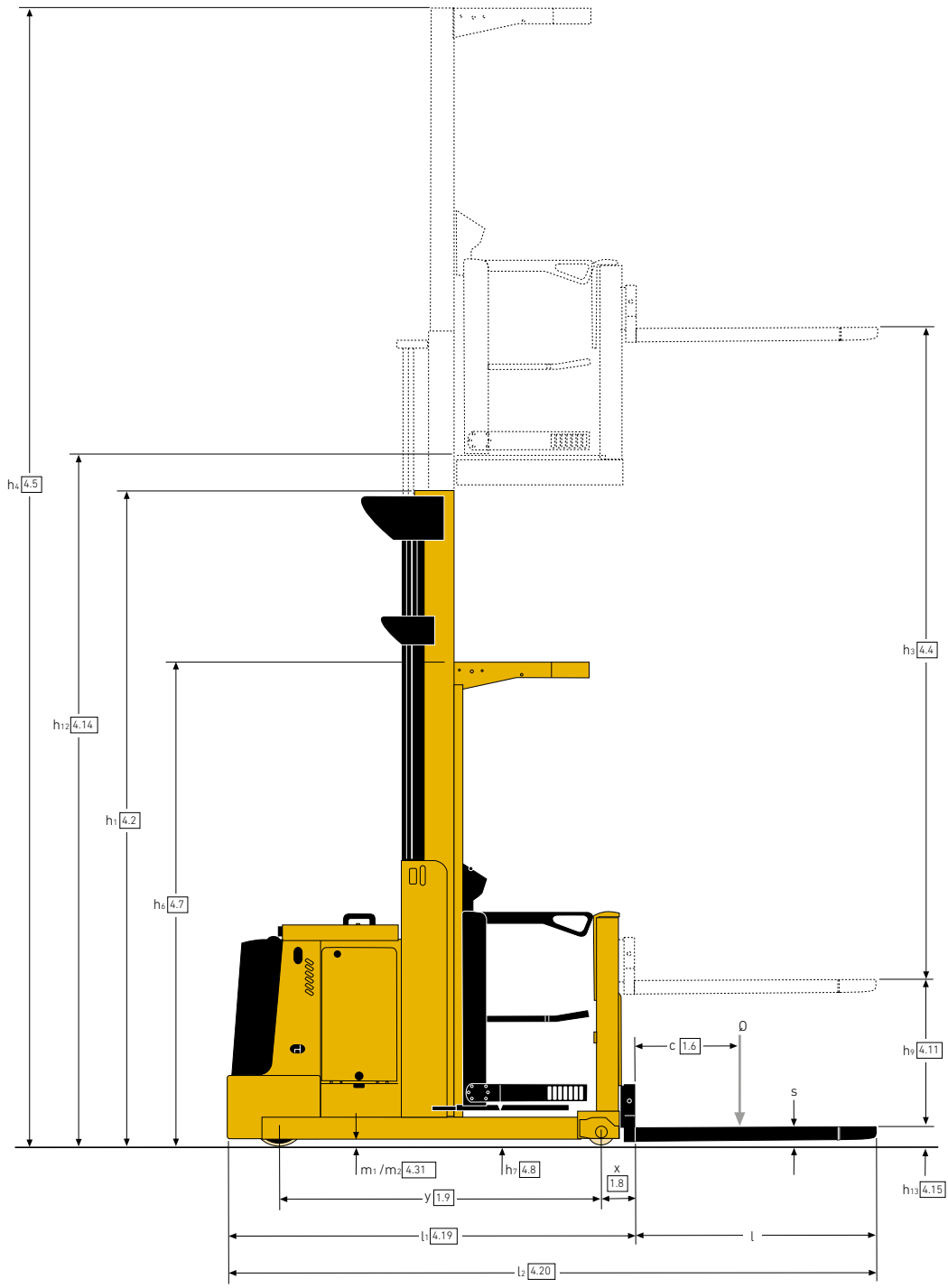
TRUCK DIMENSIONS – M010E 12



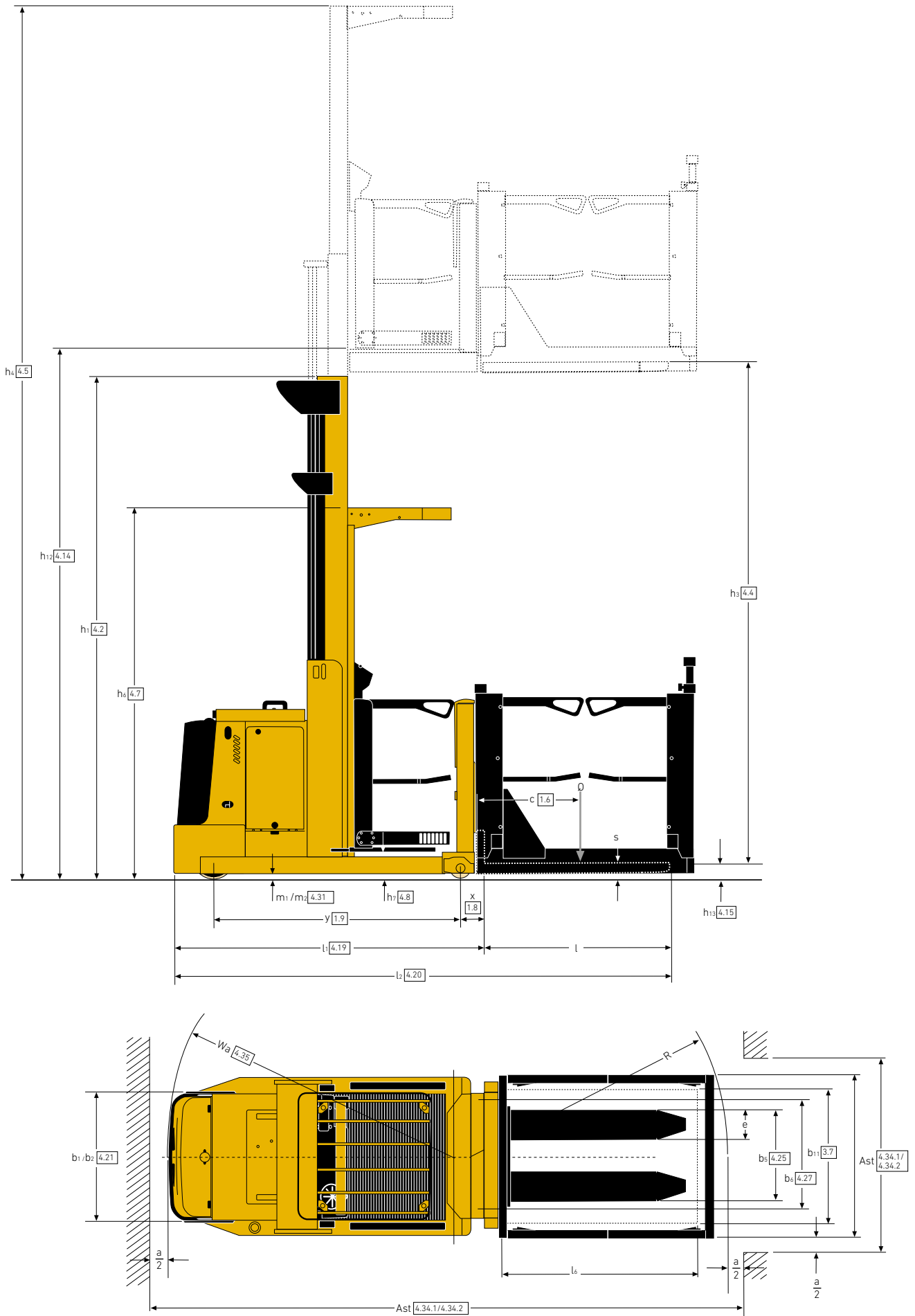
TRUCK DIMENSIONS – M010E 12 SL



TRUCK DIMENSIONS – M010E 48 SL



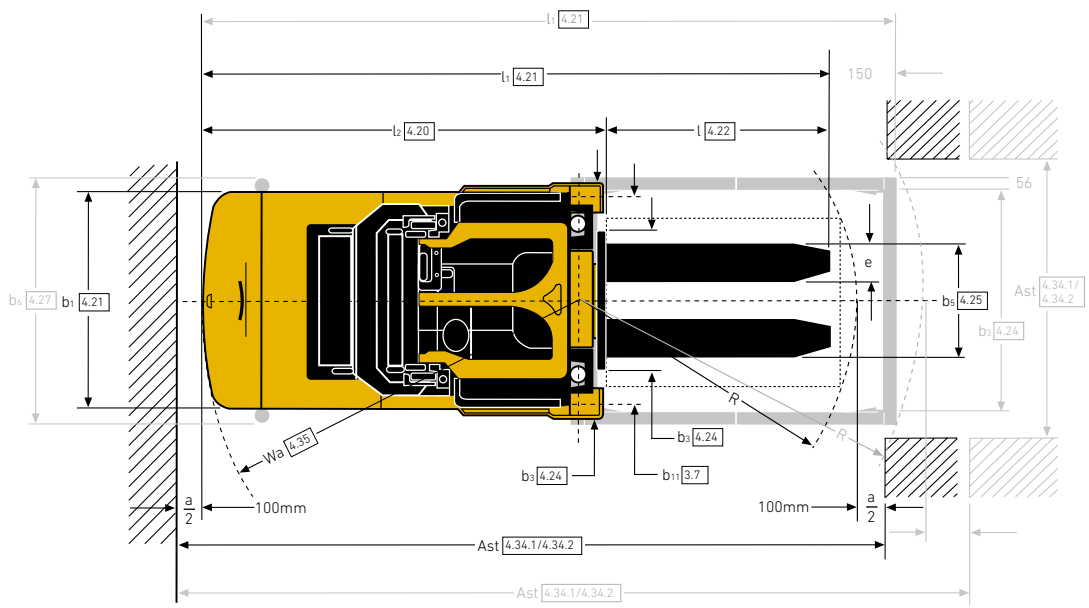
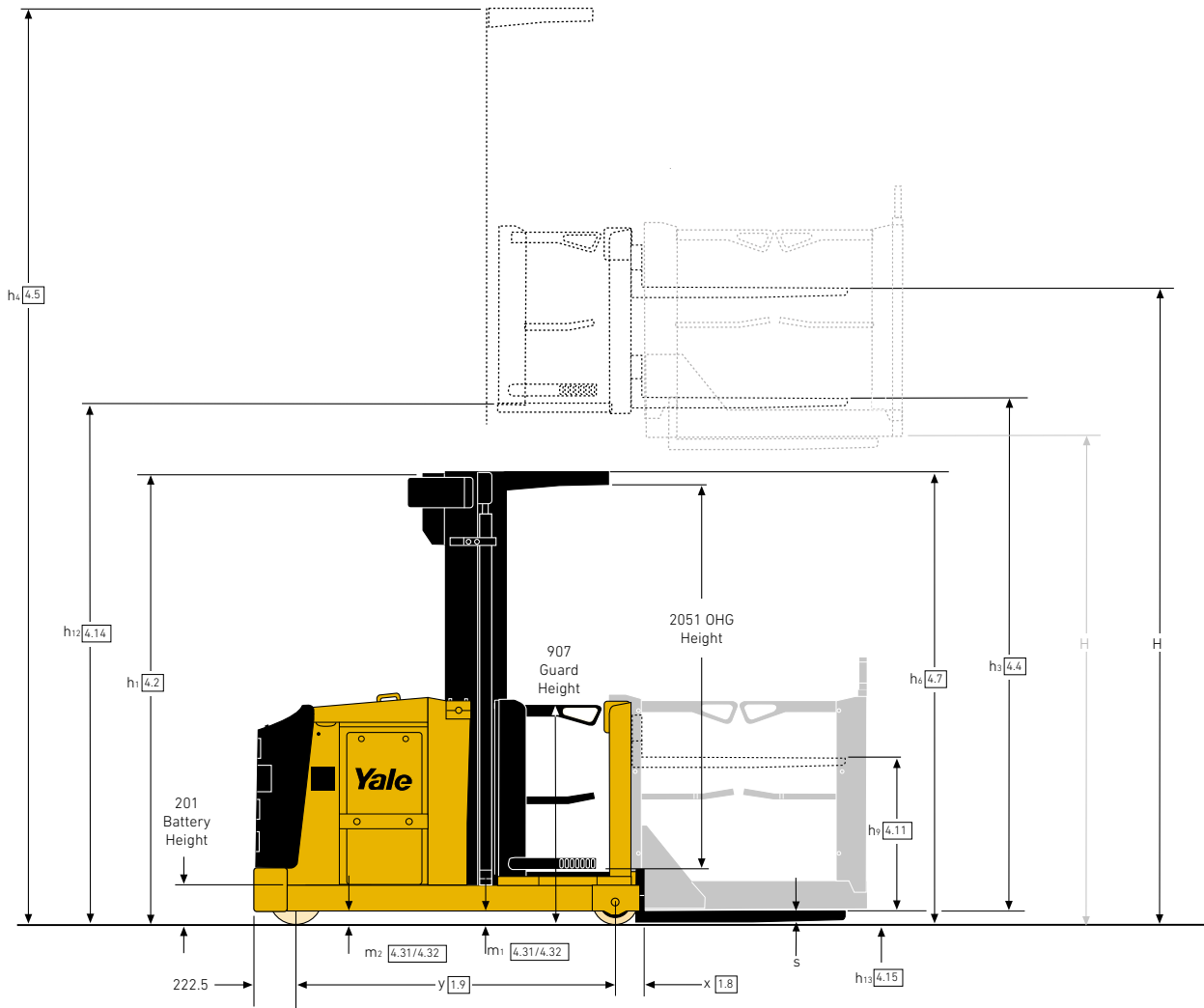
TRUCK DIMENSIONS – M010E 48 WP



TRUCK DIMENSIONS – M010, M010S, M010S WP

Note:

Grey parts of drawing, dimension lines and reference numbers denote M010S WP model.



MAST DIMENSIONS – 2 STAGE SL – M010, M010S

Lift height h ₃ (mm)	Fork lift H (mm)	Height, mast lowered h ₁ (mm)	Height, mast extended h ₄ (mm)	Stand height, elevated h ₂ (mm)
3270	4130	2370	5640	3520
3370	4230	2420	5740	3620
3470	4330	2470	5840	3720
3570	4430	2520	5940	3820
3670	4530	2570	6040	3920
3770	4630	2620	6140	4020
3870	4730	2670	6240	4120
3970	4830	2720	6340	4220
4070	4930	2770	6440	4320
4170	5030	2820	6540	4420
4270	5130	2870	6640	4520
4370	5230	2920	6740	4620
4470	5330	2970	6840	4720
4570	5430	3020	6940	4820
4670	5530	3070	7040	4920
4770	5630	3120	7140	5020
4870	5730	3170	7240	5120
4970	5830	3220	7340	5220
5070	5930	3270	7440	5320
5170	6030	3320	7540	5420
5270	6130	3370	7640	5520
5370	6230	3420	7740	5620
5470	6330	3470	7840	5720
5570	6430	3520	7940	5820
5670	6530	3570	8040	5920
5770	6630	3620	8140	6020
5870	6730	3670	8240	6120
5970	6830	3720	8340	6220
6070	6930	3770	8440	6320
6170	7030	3820	8540	6420
6270	7130	3870	8640	6520
6370	7230	3920	8740	6620
6470	7330	3970	8840	6720
6570	7430	4020	8940	6820
6670	7530	4070	9040	6920

MAST DIMENSIONS – 3 STAGE SL – M010, M010S

Lift height h ₃ (mm)	Fork lift H (mm)	Height, mast lowered h ₁ (mm)	Height, mast extended h ₄ (mm)	Stand height, elevated h ₂ (mm)
4845	5705 ⁽¹⁾	2370	7215	5095
4995	5855	2420	7365	5245
5145	6005 ⁽¹⁾	2470	7515	5395
5295	6155	2520	7665	5545
5445	6305	2570	7815	5695
5595	6455	2620	7965	5845
5745	6605 ⁽¹⁾	2670	8115	5995
5895	6755	2720	8265	6145
6045	6905	2770	8415	6295
6195	7055	2820	8565	6445
6345	7205 ⁽¹⁾	2870	8715	6595
6495	7355	2920	8865	6745
6645	7505	2970	9015	6895
6795	7655	3020	9165	7045
6945	7805 ⁽¹⁾	3070	9315	7195
7095	7955	3120	9465	7345
7245	8105	3170	9615	7495
7395	8255	3220	9765	7645
7545	8405 ⁽¹⁾	3270	9915	7795
7695	8555	3320	10065	7945
7845	8705	3370	10215	8095
7995	8855	3420	10365	8245
8145	9005 ⁽¹⁾	3470	10515	8395
8295	9155	3520	10665	8545
8445	9305	3570	10815	8695
8595	9455	3620	10965	8845
8745	9605 ⁽¹⁾	3670	11115	8995
8895	9755	3720	11265	9145

(1) For models WP -780mm

FEATURES LIST – MOE/S SERIES

	MO10E-7/14FC		MO10E 12 SL/WP		MO10E 19-48 SL/WP		MO10		MO10 SL/WP	
OPERATOR COMPARTMENT	STD	OPT	STD	OPT	STD	OPT	STD	OPT	STD	OPT
Drive side facing controls	●		●		●		●		●	
Dual drive and load side facing controls								●		●
Electric power steering	●		●		●		●		●	
Floor integrated operator presence sensing	●		●		●		●		●	
Height indicator	●		●		●		●		●	
Storage compartments	●		●		●		●		●	
Open operator's compartment - raised floor height (h ₁₂) <1200 mm			●							
Enclosed operator's compartment - front and sides					●		●		●	
Fold-up bottom toe plate on side gates (enclosed compartment only)					●		●		●	
LIFT AND TRACTION	STD	OPT	STD	OPT	STD	OPT	STD	OPT	STD	OPT
Proportional lift/lower control					●		●		●	
Soft stop on lowering							●		●	
Emergency lowering from the ground					●		●		●	
Driver select performance settings on traction and lift	●		●		●		●		●	
Walk along slow speed advance control from side of truck	●		●		●		●		●	
Off board lift / lower control of forks	●		●		●		●		●	
LOAD HANDLING	STD	OPT	STD	OPT	STD	OPT	STD	OPT	STD	OPT
Walk-on forks - open			● (WP)							●
Walk-on forks - pallet cage with fold-up side-gates / pallet sensing					● (WP)					●
Welded fixed forks - walk-on pallet option			● (WP)		● (WP)					●
Supplementary lift - fixed fork width		● (7 FC)		● (SL)		● (SL)		●		●
Supplementary lift - adjustable fork width		● (7 FC)		● (SL)		● (SL)		●		●
Masted lift - adjustable width forks		● (14 FC)								
Load backrest		●								
TRAVEL	STD	OPT	STD	OPT	STD	OPT	STD	OPT	STD	OPT
Free ranging	●		●		●		●		●	
Speed reduction on cornering	●		●		●		●		●	
Height / load sensing speed control							●		●	
Guide tollers for rail guidance (rail not included)							● ⁽¹⁾		●	●
Wire guidance (5.2 / 6.25 / 7.0 / 10 kHz)							● ⁽¹⁾		●	●
End of aisle control options (slow down / stop) via floor magnets							● ⁽¹⁾		●	●
OPTIONS	STD	OPT	STD	OPT	STD	OPT	STD	OPT	STD	OPT
Flashing beacon		●		●		● ⁽²⁾	●		●	
Dome light						●		●		● ⁽³⁾
Fan						●				
Dome light and fan								●		●
Work lights - facing racks						●		●		●
Work light - over load						●		●		●
Lexan overhead guard						●		●		●
Wire mesh overhead guard						●		●		●
Lift Interrupt with override				●		●		●		●
Lift Interrupt on overhead guard						●		●		●
Autostop on lowering								●		●
Reverse alarm		●		●		●		●		●
Cold store protection		●		●		●		●		●
Clipboard		●				●		●		●
RFDT hang -on support		●		●		●		●		●
DC/DC converter 12V		●		●		●		●		●
DC/DC converter 24V								●		●
Antistatic drive tyre								●		●
CONFIGURATION	STD	OPT	STD	OPT	STD	OPT	STD	OPT	STD	OPT
Cabin width (mm)		796		780		940		950		1050-1150-1240 ⁽⁴⁾
Chassis width b ₂ (mm)		796		780		950		1000		1100-1200 ⁽⁵⁾
Fixed cab / supplementary lift - 690mm		● (7 FC)		●		●				
Fixed cab / masted fork lift - 1410mm		● (14 FC)								
Rising cab 1 stage mast - raised platform height (h ₁₂) = 1190mm			●							
Rising cab 1 stage mast - raised platform height (h ₁₂) = 1690 - 1850mm						●				
Rising cab 2 stage mast - raised platform height (h ₁₂) = 3207 - 4807mm						●				
Rising cab 2 stage mast - raised platform height (h ₁₂) = 3620 - 4920mm							●			
Rising cab 2 stage mast - raised platform height (h ₁₂) = 3620 - 6920mm								●		
Rising cab 3 stage mast - raised platform height (h ₁₂) = 5095 - 9145mm										● ⁽⁵⁾
POWER	STD	OPT	STD	OPT	STD	OPT	STD	OPT	STD	OPT
AC traction	●		●		●		●		●	
AC steering	●		●		●		●		●	
AC pump motor							●		●	
Voltage		24		24		24		48		48
Battery size (Ah)		500		560-620		560-620		280-310		420-620
Regen on lowering							●		●	
Battery rollers	●		●		●		●		●	
Side battery change table - single bed		●		●		●		●		●
Side battery change table - twin bed		●		●		● ⁽⁶⁾				

(1) With 2 stage mast only (Raised platform height (h₁₂) = 3200mm - 4800 mm)

(2) Required option (Raised platform height (h₁₂) > 1200mm)

(3) With 2 stage mast only

(4) With walk-on pallet cage - 1140mm / 1340mm

(5) From raised platform height (h₁₂) = 8450mm, 1200mm chassis required

(6) Not with rail guidance

All values are nominal values and they are subject to tolerances.



About Yale®

Yale Lift Truck Technologies leverages over a century of material handling experience and substantial investment in innovation to bring the most advanced technology-driven lift truck solutions to market. The company offers a full line of award-winning lift trucks, including reach trucks, order pickers, turret trucks, pallet jacks and trucks, pallet stackers, tow tractors and counterbalanced forklifts, as well as powerful operator assist solutions, proven robotics and a wide range of power sources to help customers adapt to today's demanding supply chain. Yale and its independent dealer network support these solutions with comprehensive after-sales service, parts, financing and training.

Yale Lift Truck Technologies is a trading name of Hyster-Yale Asia-Pacific Pty Ltd., a wholly owned subsidiary of Hyster-Yale Materials Handling, Inc.(NYSE:HY) which is headquartered in Cleveland, Ohio and operates globally.

MATERIALS HANDLING FOR:

Third-party logistics (3PL)

Auto parts distribution

Beverage

Cold & frozen foods

Food distribution

Food processing

Furniture & furnishings

Government

Health & pharma


Home centers

Retail & e-commerce

Yale Lift Truck Technologies | Pacific
1/23 Rowood Road
Prospect NSW 2148

Yale Lift Truck Technologies | Asia
16 Tuas Avenue 20
Singapore 638827

yale.com

© 2023 Hyster-Yale Group, Inc., all rights reserved. YALE and  are trademarks of Hyster-Yale Group, Inc. Trucks may be shown with optional equipment and/or features not available in all regions. Specifications and details in this brochure are subject to change without prior notification.