



# M010-25

SPEC SHEET

1,000 - 2,500 kg

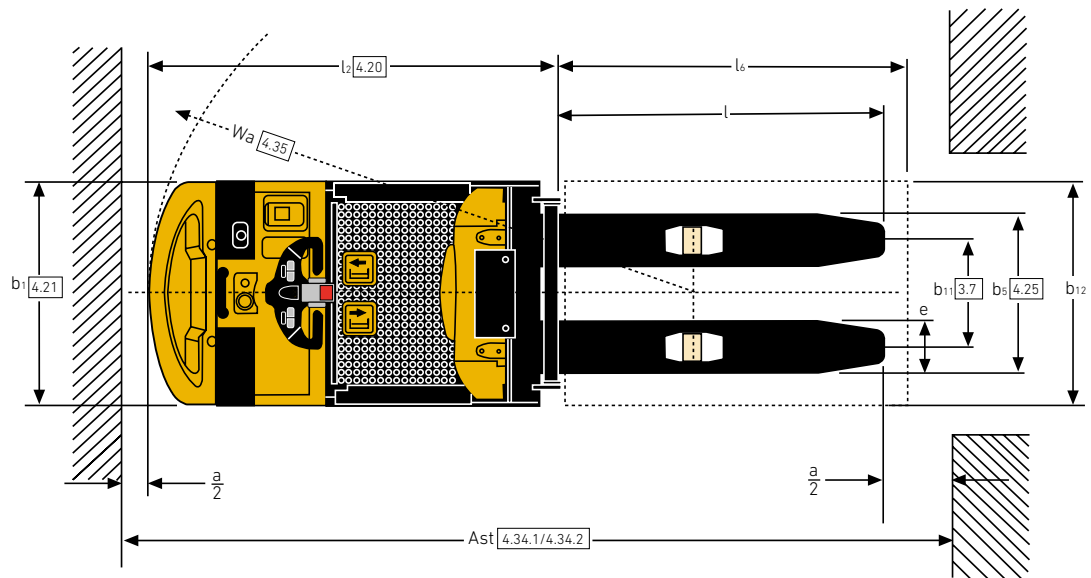
---

M0 Series

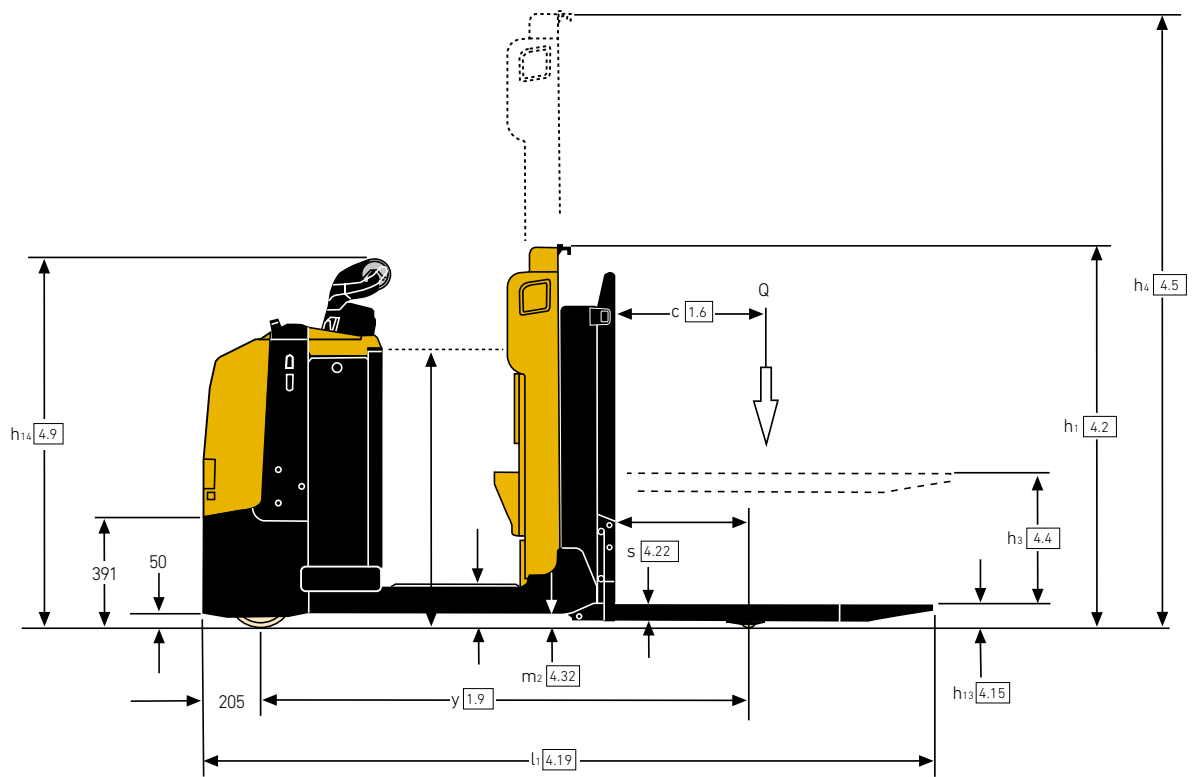
---

Low Level Order Picker

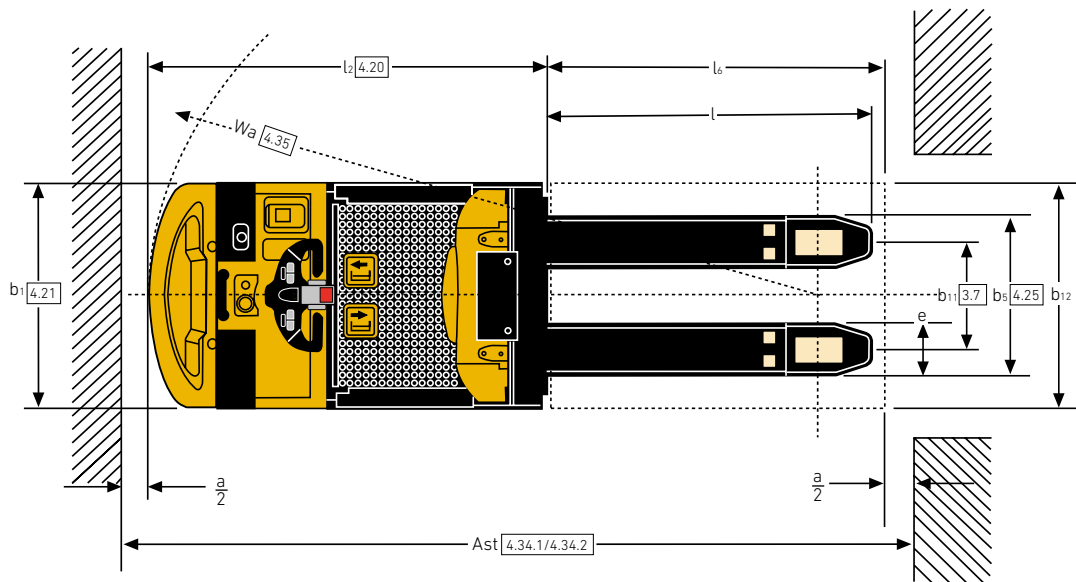
# TRUCK DIMENSIONS – M010L



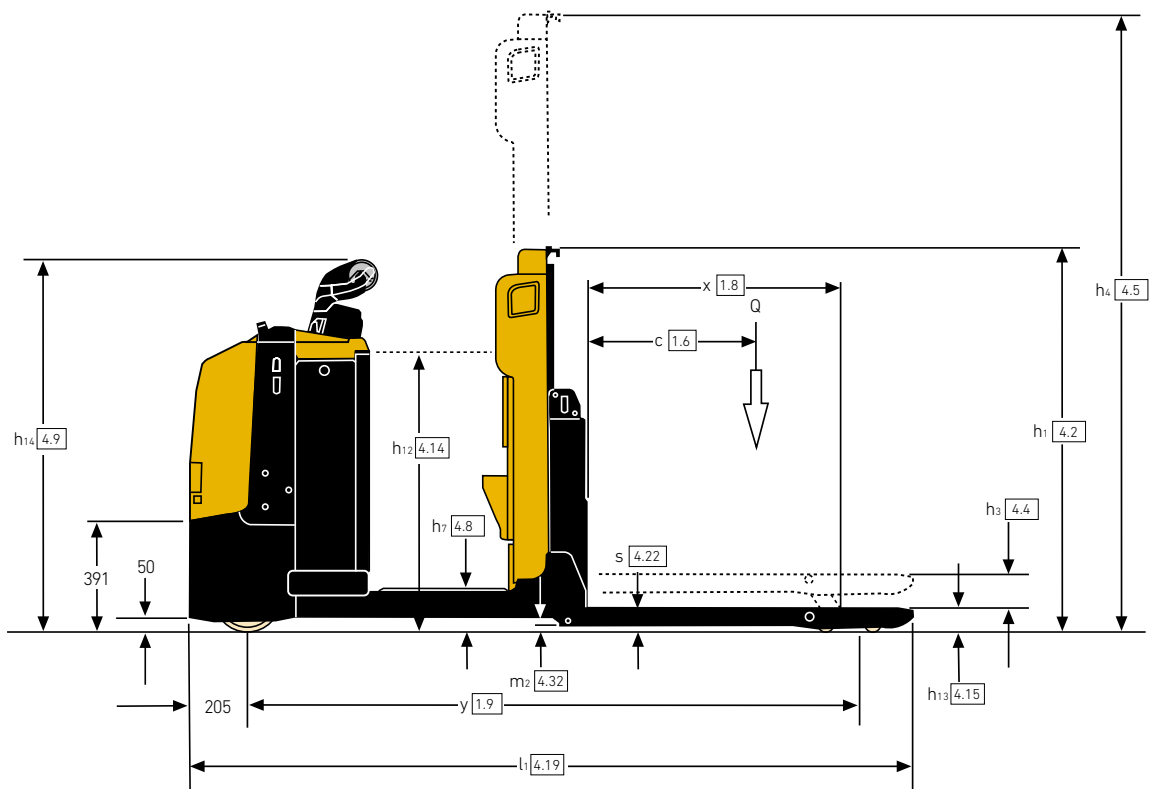
# TRUCK DIMENSIONS – M010L



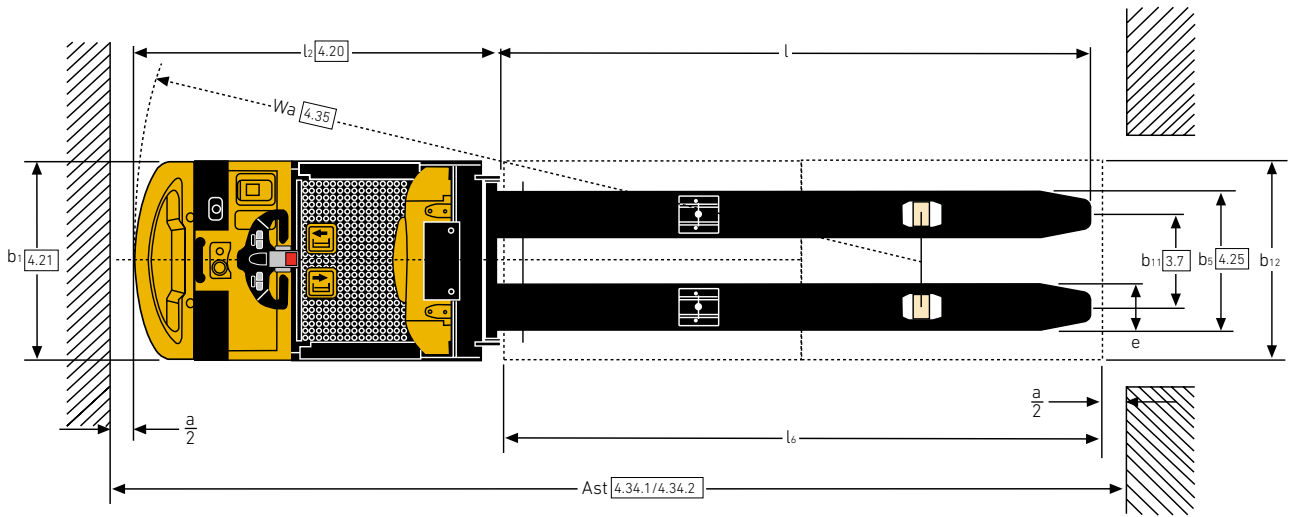
# TRUCK DIMENSIONS – M020, M025



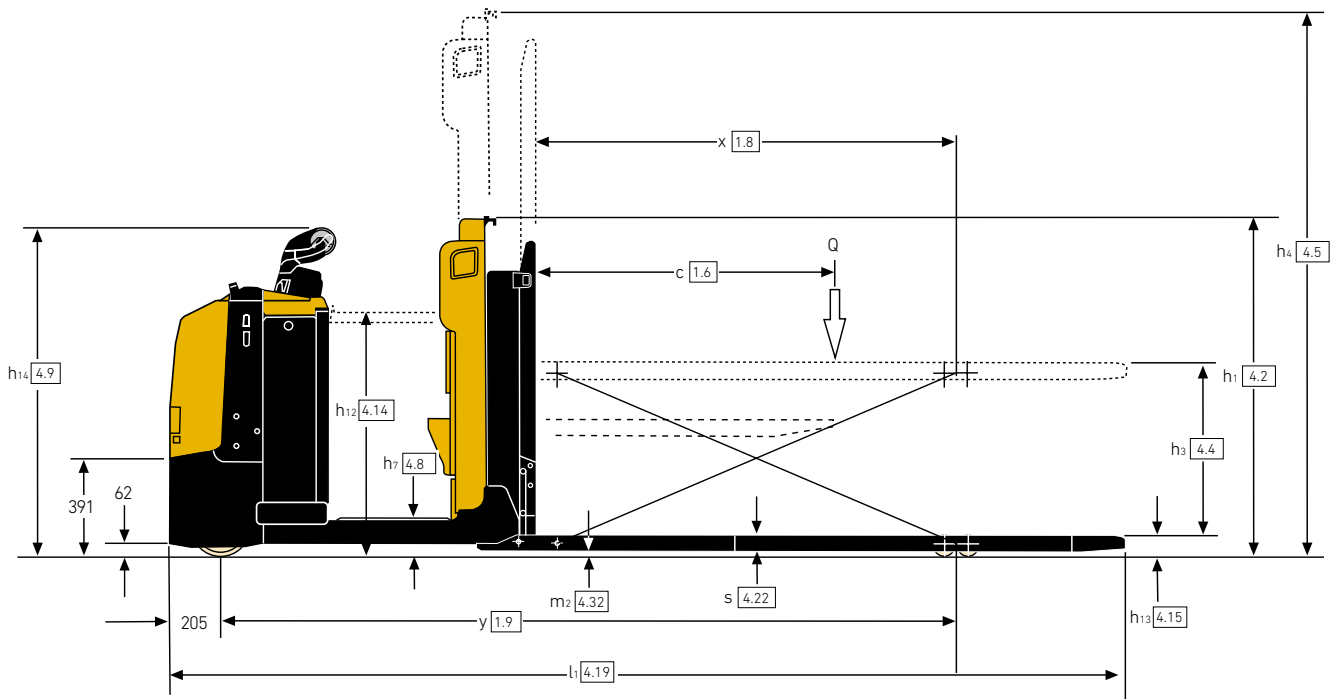
# TRUCK DIMENSIONS – M020, M025



# TRUCK DIMENSIONS – M020P



# TRUCK DIMENSIONS – M020P



## VDI 2198 – GENERAL SPECIFICATIONS – M0 SERIES

				Yale				
				M020		M025		
<b>GENERAL</b>	1.1	Manufacturer						
	1.2	Model designation						
	1.3	Drive		Electric (battery)				
	1.4	Operator type		Order-picker				
	1.5	Rated capacity/rated load	Q (t)	2000				
	1.6	Load centre distance	c (mm)	1200 <sup>(1)</sup>				
	1.8	Load distance, centre of drive axle to fork <sup>(2)</sup>	x (mm)	1405		1860		
	1.9	Wheelbase <sup>(2)</sup>	y (mm)	2608		3208		
	<b>WEIGHTS</b>	2.1	Service weight	kg	1050 <sup>(3)</sup>	1195 <sup>(3)</sup>	1225 <sup>(3)</sup>	1165      1310
2.2		Axle loading, laden front/rear	kg	883 / 2167	955 / 2240	975 / 2250	1370 / 2295      1442 / 2368	
2.3		Axle loading, unladen front/rear	kg	793 / 257	865 / 330	885 / 340	905 / 260      977 / 333	
<b>TYRES</b>	3.1	Tyres front/rear		Vulkollan				
	3.2	Tyre size, front	ø (mm x mm)	254 x 90				
	3.3	Tyre size, rear	ø (mm x mm)	85 x 90				
	3.4	Additional wheels (dimensions)	ø (mm x mm)	150 x 79				
	3.5	Wheels, number front/rear (x = driven wheels)		1x + 1/4				
	3.6	Tread, front	b <sub>10</sub> (mm)	437				
	3.7	Tread, rear	b <sub>11</sub> (mm)	380				
<b>DIMENSIONS</b>	4.2	Height of mast, lowered	h <sub>1</sub> (mm)	1360		1878      1360		
	4.4	Lift	h <sub>3</sub> (mm)	120				
	4.5	Height, mast extended	h <sub>4</sub> (mm)	-	2340	3228	-	2340
	4.8	Seat height relating to SIP/stand height	h <sub>7</sub> (mm)	152				
	4.9	Height drawbar in driving position min./max.	h <sub>14</sub> (mm)	1317				
	4.12	Coupling height	h <sub>10</sub> (mm)	-				
	4.14	Stand height, elevated	h <sub>12</sub> (mm)	-	980	1500	-	980
	4.15	Height, lowered	h <sub>13</sub> (mm)	85				
	4.17	Overhang	l <sub>5</sub> (mm)	-				
	4.19	Overall length <sup>(2)</sup>	l <sub>1</sub> (mm)	3764		3909		
	4.20	Length to face of forks <sup>(2)</sup>	l <sub>2</sub> (mm)	1410		1555		
	4.21	Overall width	b <sub>1</sub> /b <sub>2</sub> (mm)	796				
	4.22	Fork dimensions ISO 2331 <sup>(2)</sup>	s/e/l (mm)	60 / 184 / 2356				
	4.25	Distance between fork-arms	b <sub>5</sub> (mm)	560				
	4.32	Ground clearance, centre of wheelbase	m <sub>2</sub> (mm)	25				
4.33	Load dimensions b <sub>12</sub> x l <sub>6</sub> crossways	b <sub>12</sub> x l <sub>6</sub> (mm)	800 x 1200 <sup>(1)</sup>					
4.34.1	Aisle width for pallets 1000 x 1200 crossways <sup>(2)</sup>	A <sub>st</sub> (mm)	3737 <sup>(1)</sup>		4662 <sup>(1)</sup>			
4.34.2	Aisle width for pallets 800 x 1200 lengthways <sup>(2)</sup>	A <sub>st</sub> (mm)	3462 <sup>(1)</sup>		4385 <sup>(1)</sup>			
4.35	Turning radius	W <sub>a</sub> (mm)	2813 <sup>(1)</sup>		3413 <sup>(1)</sup>			
<b>PERFORMANCE</b>	5.1	Travel speed, laden/unladen	km/h	8.5 / 10.5 <sup>(4)</sup>				
	5.1.1	Travel speed, laden/unladen, backwards	km/h	8 / 8				
	5.2.1	Lift speed, laden/unladen (Forks)	m/s	0.027 / 0.039				
	5.2.2	Lift speed, laden/unladen (Cab)	m/s	-	0.189 / 0.189		-	0.189 / 0.189
	5.3.1	Lowering speed, laden/unladen (Forks)	m/s	0.038 / 0.018				
	5.3.2	Lowering speed, laden/unladen (Cab)	m/s	-	0.162 / 0.162		-	0.162 / 0.162
	5.5	Drawbar pull, laden/unladen	N	-				
	5.6	Max. drawbar pull, laden/unladen	N	-				
	5.7	Gradeability, laden/unladen	%	6 / 20				
	5.8	Max. gradeability, laden/unladen	%	10 / 20				
5.9	Acceleration time, laden/unladen	s	7.6 / 5.3		8.9 / 5.5			
5.10	Service brake		Electromagnetic					
<b>ELECTRIC</b>	6.1	Drive motor rating S2 60 min	kW	2.6				
	6.2	Lift motor rating at S3 15%	kW	1.2	2		1.2	2
	6.3	Battery according to DIN 43531/35/36 A, B, C, no		No				
	6.4	Battery voltage/nominal capacity K5	(V)/(Ah)	24 / 465 <sup>(5)</sup>		24 / 620		
	6.5	Battery weight	kg	366		480		
	6.6	Energy consumption according to VDI cycle <sup>(5)</sup>	kWh/h @ no. of cycles	1.13				
8.1	Type of drive unit		AC-Controller					
10.7	Average noise level at the operator's ear according to EN 12053	dB(A)	< 67.5					

(1) Applies to 2 pallets = 2400 mm

(2) For models M020, M025, see Table "A"

(3) Available battery 500Ah; see Table "A". With battery 500Ah service weight 1069kg (M020 fixed cab), 1214kg (M020 lift cab 980mm), 1244kg (M020 lift cab 1500mm)

(4) Optional 10/13 km/h (M020-M020P) and 9/13 km/h (M025)

(5) Values obtained with 40 cycles

(6) Optional 12/13 km/h (M010L)

**All values are nominal values and they are subject to tolerances.**



## VDI 2198 – GENERAL SPECIFICATIONS – MO SERIES

			Yale					
			<b>M025</b>	<b>M010L</b>		<b>M020P</b>		
<b>GENERAL</b>	1.1	Manufacturer						
	1.2	Model designation						
	1.3	Drive		Electric (battery)				
	1.4	Operator type		Order-picker				
	1.5	Rated capacity/rated load	Q (t)	2500	1000		2000	
	1.6	Load centre distance	c (mm)	1200 <sup>(1)</sup>	600		1200 <sup>(1)</sup>	
	1.8	Load distance, centre of drive axle to fork <sup>(2)</sup>	x (mm)	1860	486		1682	
	1.9	Wheelbase <sup>(2)</sup>	y (mm)	3208	1740		2936	
	<b>WEIGHTS</b>	2.1	Service weight	kg	1340	1045	1190	1220
2.2		Axle loading, laden front/rear	kg	1462 / 2378	622 / 1413	695 / 1485	1089 / 2131	1161 / 2204
2.3		Axle loading, unladen front/rear	kg	977 / 343	722 / 323	795 / 395	834 / 386	906 / 459
<b>TYRES</b>	3.1	Tyres front/rear		Vulkollan				
	3.2	Tyre size, front	ø (mm x mm)	254 x 90				
	3.3	Tyre size, rear	ø (mm x mm)	85 x 90	85 x 100		85 x 70	
	3.4	Additional wheels (dimensions)	ø (mm x mm)	150 x 79				
	3.5	Wheels, number front/rear (x = driven wheels)		1x + 1/4	1x + 1/2		1x + 1/4	
	3.6	Tread, front	b <sub>10</sub> (mm)	437				
	3.7	Tread, rear	b <sub>11</sub> (mm)	380	390		372	
<b>DIMENSIONS</b>	4.2	Height of mast, lowered	h <sub>1</sub> (mm)	1878	1360			
	4.4	Lift	h <sub>3</sub> (mm)	120	690			
	4.5	Height, mast extended	h <sub>4</sub> (mm)	3228	-	2340	-	2340
	4.8	Seat height relating to SIP/stand height	h <sub>7</sub> (mm)	152				
	4.9	Height drawbar in driving position min./max.	h <sub>14</sub> (mm)	1317				
	4.12	Coupling height	h <sub>10</sub> (mm)	-				
	4.14	Stand height, elevated	h <sub>12</sub> (mm)	1500	-	980	-	980
	4.15	Height, lowered	h <sub>13</sub> (mm)	85	90		85	
	4.17	Overhang	l <sub>5</sub> (mm)	-				
	4.19	Overall length <sup>(2)</sup>	l <sub>1</sub> (mm)	3909	2619		3816	
	4.20	Length to face of forks <sup>(2)</sup>	l <sub>2</sub> (mm)	1555	1459		1460	
	4.21	Overall width	b <sub>1</sub> /b <sub>2</sub> (mm)	796				
	4.22	Fork dimensions ISO 2331 <sup>(2)</sup>	s/e/l (mm)	60 / 184 / 2356	60 / 180 / 1160		68 / 192 / 2356	
	4.25	Distance between fork-arms	b <sub>5</sub> (mm)	560	570		564	
	4.32	Ground clearance, centre of wheelbase	m <sub>2</sub> (mm)	25	48		20	
4.33	Load dimensions b <sub>12</sub> x l <sub>6</sub> crossways	b <sub>12</sub> x l <sub>6</sub> (mm)	800 x 1200 <sup>(1)</sup>	800 x 1200		800 x 1200 <sup>(1)</sup>		
4.34.1	Aisle width for pallets 1000 x 1200 crossways <sup>(2)</sup>	A <sub>st</sub> (mm)	4662 <sup>(1)</sup>	2885		4250 <sup>(1)</sup>		
4.34.2	Aisle width for pallets 800 x 1200 lengthways <sup>(2)</sup>	A <sub>st</sub> (mm)	4385 <sup>(1)</sup>	2913		3968 <sup>(1)</sup>		
4.35	Turning radius	W <sub>a</sub> (mm)	3413 <sup>(1)</sup>	1895		3142 <sup>(1)</sup>		
<b>PERFORMANCE</b>	5.1	Travel speed, laden/unladen	km/h	8.5 / 10.5 <sup>(4)</sup>	10.5 / 10.5 <sup>(4)</sup>		8.5 / 10.5 <sup>(4)</sup>	
	5.1.1	Travel speed, laden/unladen, backwards	km/h	8 / 8				
	5.2.1	Lift speed, laden/unladen (Forks)	m/s	0.027 / 0.039	0.087 / 0.233		0.060 / 0.150	
	5.2.2	Lift speed, laden/unladen (Cab)	m/s	0.189 / 0.189	-	0.189 / 0.189	-	0.189 / 0.189
	5.3.1	Lowering speed, laden/unladen (Forks)	m/s	0.038 / 0.018	0.173 / 0.154		0.147 / 0.126	
	5.3.2	Lowering speed, laden/unladen (Cab)	m/s	0.162 / 0.162	-	0.162 / 0.162	-	0.162 / 0.162
	5.5	Drawbar pull, laden/unladen	N	-				
	5.6	Max. drawbar pull, laden/unladen	N	-				
	5.7	Gradeability, laden/unladen	%	6 / 20				
	5.8	Max. gradeability, laden/unladen	%	10 / 20				
5.9	Acceleration time, laden/unladen	s	8.9 / 5.5	7.0 / 5.2		7.6 / 5.3		
5.10	Service brake		Electromagnetic					
<b>ELECTRIC</b>	6.1	Drive motor rating S2 60 min	kW	2.6				
	6.2	Lift motor rating at S3 15%	kW	2				
	6.3	Battery according to DIN 43531/35/36 A, B, C, no		No				
	6.4	Battery voltage/nominal capacity K5	(V)/(ah)	24 / 620	24 / 465			
	6.5	Battery weight	kg	480	366			
	6.6	Energy consumption according to VDI cycle <sup>(5)</sup>	kWh/h @ no. of cycles	1.13				
8.1	Type of drive unit		AC-Controller					
10.7	Average noise level at the operator's ear according to EN 12053	dB(A)	< 67.5	< 68.5				

## BATTERY DIMENSIONS – MO SERIES

b<sub>s</sub> = 480mm - 530mm - 560mm - 670mm  
 b<sub>11</sub> = 300mm - 350mm - 380mm - 490mm

For all batteries					Battery 24V 465Ah / 300Ah Li-Ion					Battery 24V 500Ah/620Ah <sup>(1)</sup> / 400Ah Li-Ion					Forks weights <sup>(3)</sup> (kg)
C (mm)	l (mm)	x (mm)	l-x (mm)	l <sub>6</sub> (mm)	y (mm)	l <sub>2</sub> (mm)	l <sub>1</sub> (mm)	Wa (mm)	Ast <sup>(3)</sup> (mm)	y (mm)	l <sub>2</sub> (mm)	l <sub>1</sub> (mm)	Wa (mm)	Ast <sup>(2)</sup> (mm)	
500	1006	815	191	1000	2018	1410	2414	2225	2866	2163	1555	2559	2370	3011	118
600	1156	965	191	1200	2168	1410	2564	2375	3039	2313	1555	2709	2520	3184	127
700	1406	965	441	1400	2168	1410	2814	2375	3166	2313	1555	2959	2520	3311	136
800	1596	1051	545	1600	2254	1410	3004	2461	3340	2399	1555	3149	2606	3485	144
1000	1956	1405	551	2000	2608	1410	3364	2815	3732	2753	1555	3509	2960	3877	175
1000	1956	1356	600	2000	2559	1410	3364	2766	3724	2704	1555	3509	2911	3869	176
1100	2156	1405	751	2200	2608	1410	3564	2815	3905	2753	1555	3709	2960	4050	183
1100	2156	1356	800	2200	2559	1410	3564	2766	3900	2704	1555	3709	2911	4045	184
1200	2356	1650	706	2400	2853	1410	3764	3060	4110	2998	1555	3909	3205	4255	198
1200	2356	1405	951	2400	2608	1410	3764	2815	4087	2753	1555	3909	2960	4232	191
1200	2356	1860	496	2400	3063	1410	3764	3270	4142	3208	1555	3909	3415	4287	200
1500	2856	1860	996	3000	3063	1410	4264	3270	4678	3208	1555	4409	3415	4823	220
1200	2356	1650	706	2400	-	-	-	-	-	2998	1555	3909	3205	4255	214
1200	2356	1860	496	2400	-	-	-	-	-	3208	1555	3909	3415	4287	222
1500	2856	1860	996	3000	-	-	-	-	-	3208	1555	4409	3415	4823	242

**Note:** all values of y, x, Wa are intended with lowered forks; with forks lifted 120mm all values of y, x, Wa are 70mm less.

- (1) Battery 620Ah available for 2.5 Ton. version only
- (2) Aisle width for pallets 800mm x l<sub>6</sub> lengthways
- (3) All weights are: forks + tie rods

## FEATURES LIST – MO SERIES

PERFORMANCE	STD	OPT
Telemetry		●
Audible Reverse Alarm		●
Primary DC/DC Converter		●
Without Lights	●	
One Front LED Work Light		●
Blue LED spotlight, front mounted and forward activated (SPED)		●
Red Line (Side) Pedestrian Awareness Lights (P.A.L.) (SPED)		●
Amber Strobe Light (SPED)		●
DRIVE	STD	OPT
Drive Performance 10,5 km/h	●	
Drive Performance 13 km/h		●
85 x 90mm Tandem Polyurethane Load Wheels	●	
85 x 110mm Single Polyurethane Load Wheels		●
254 x 90mm NDIIthane Drive Wheel	●	
254 x 90mm Topthane Drive Wheel		●
254 x 90mm NDIIthane Conductive Drive Wheel		●
Coasting Function		●
Coasting Function and Lift/Low Controls		●
HANDLING	STD	OPT
Key Switch Start	●	
Operator Password Start		●
Vertical Battery Extraction	●	
Side Battery Extraction - Left Side		●
Side Battery Extraction - Right Side		●
Side Battery Extraction - Both Sides		●

All values are nominal values and they are subject to tolerances.

ERGONOMICS	STD	OPT
Fixed Operator Platform	●	
2ND Level foldable step		●
Lifting Operator Platform		●
Suspended Operator Platform (SPED)		●
Operator Platform: H <sub>12</sub> = 980mm with Side Arms (SPED)		●
Lifting Operator Platform with Side Arms		●
Handle above Operator Backrest	●	
Stretch Film Roll Holder		●
Clip Board	●	
Trash Bin in Operator Back rest		●
Object Tray on Operator Back rest		●
Standard Display	●	
Multifunctional Display		●
Multipurpose Bar		●
Knee Pad		●
Scooter Control	●	
Adjustable in Height Scooter Control (SPED)		●
Scooter Control without Platform Controls		●
Scooter Control with Platform Controls		●
Low Mounted Bumper (Rubber Bumper)		●
Mid Mounted Bumper (Bull Bar)		●
OPERATION	STD	OPT
Cold Store Construction (-30 °C)		●
SUPPLEMENTAL	STD	OPT
CE Certification	●	
Special Paint Color (SPED)		●
Literature pack	●	



# About Yale®

Yale Lift Truck Technologies leverages over a century of material handling experience and substantial investment in innovation to bring the most advanced technology-driven lift truck solutions to market. The company offers a full line of award-winning lift trucks, including reach trucks, order pickers, turret trucks, pallet jacks and trucks, pallet stackers, tow tractors and counterbalanced forklifts, as well as powerful operator assist solutions, proven robotics and a wide range of power sources to help customers adapt to today's demanding supply chain. Yale and its independent dealer network support these solutions with comprehensive after-sales service, parts, financing and training.

Yale Lift Truck Technologies is a trading name of Hyster-Yale Asia-Pacific Pty Ltd., a wholly owned subsidiary of Hyster-Yale Materials Handling, Inc.(NYSE:HY) which is headquartered in Cleveland, Ohio and operates globally.

## MATERIALS HANDLING FOR:

Third-party logistics (3PL)

Auto parts distribution

Beverage

Cold & frozen foods

Food distribution

Food processing

Furniture & furnishings

Government

Health & pharma


Home centers

Retail & e-commerce

Yale Lift Truck Technologies | Pacific  
1/23 Rowood Road  
Prospect NSW 2148

Yale Lift Truck Technologies | Asia  
16 Tuas Avenue 20  
Singapore 638827

**yale.com**

© 2023 Hyster-Yale Group, Inc., all rights reserved. YALE and  are trademarks of Hyster-Yale Group, Inc. Trucks may be shown with optional equipment and/or features not available in all regions. Specifications and details in this brochure are subject to change without prior notification.