

MPE060-080VH

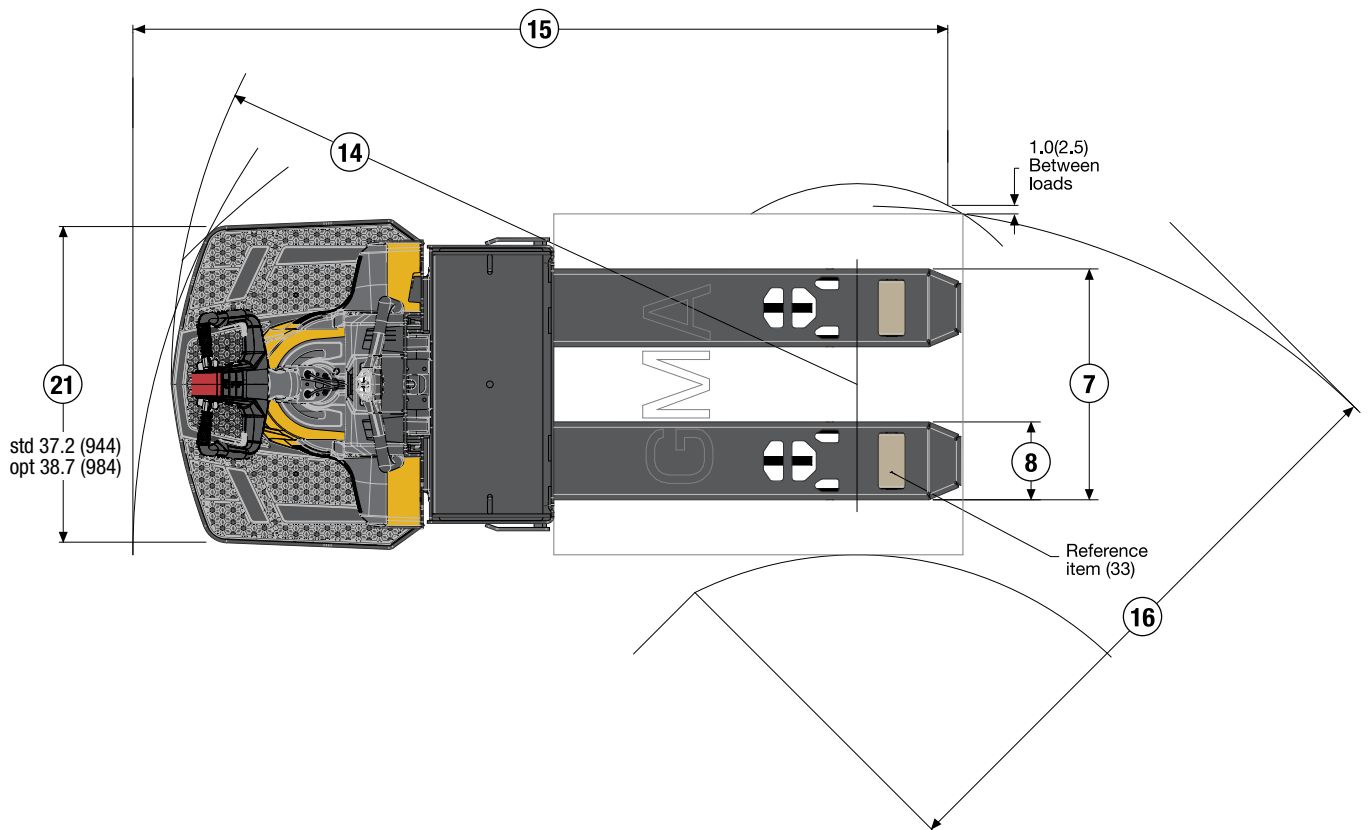
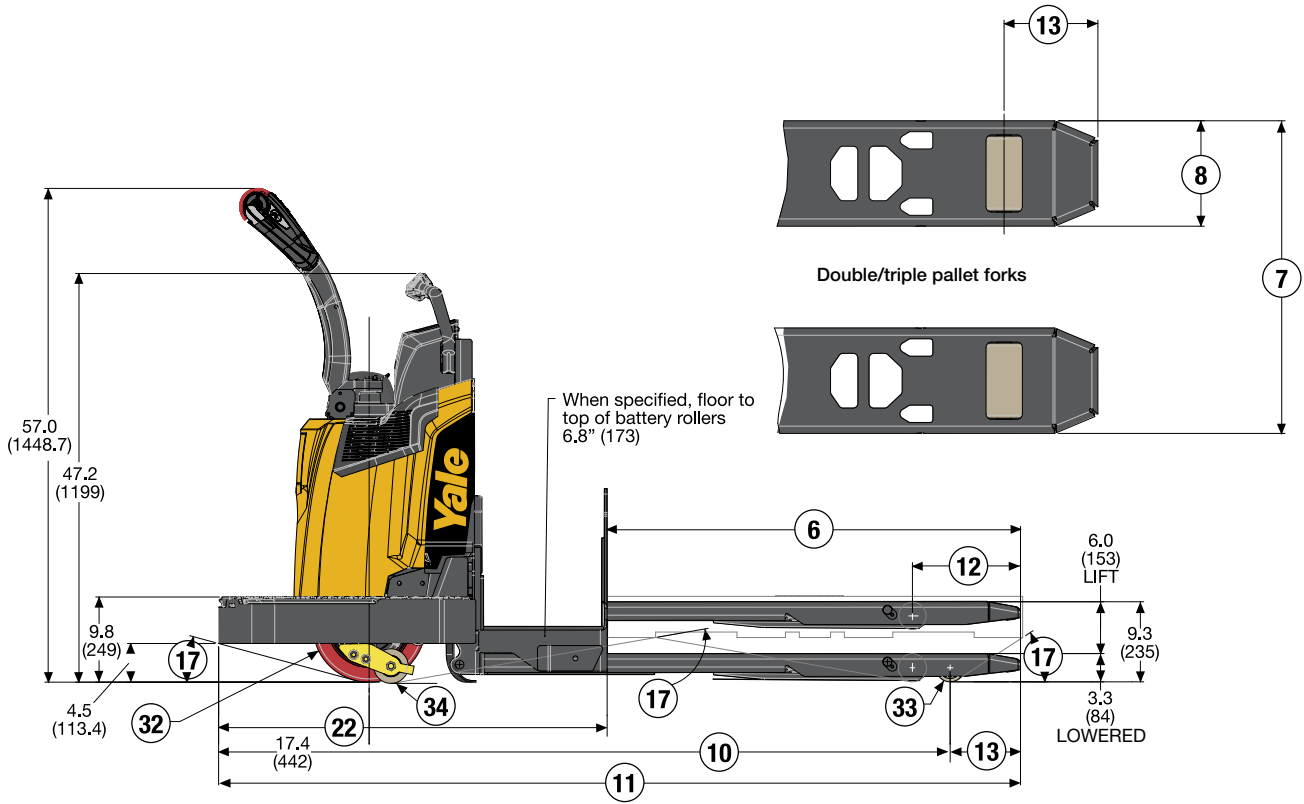
End Rider Forklift Trucks

6,000 / 8,000 lb

- Designed for versatility with various fork lengths capable of carrying single, double and triple pallet loads
- Innovative Smart technology helps maximize throughput and boost order picking
- Operator-focused ergonomics to optimize comfort and productivity
- Engineered for unparalleled durability, longer service intervals and simplified maintenance



Truck Dimensions



General Specifications MPE060VH

GENERAL		Yale MPE060VH 24 Volt Stand ride 6000 (2722)											
1	Manufacturer												
2	Model designation												
3	Power type												
4	Operator type												
5	Rated capacity		lb. (kg)										
DIMENSIONS	6	Fork length	Nominal	in (mm)	36(914)	42(1067)	48(1219)	54(1372)	60(1524)	84(2134)	93(2362)	96(2438)	
			Actual	in (mm)	35.7(908)	41.8(1061)	47.8(1213)	53.7(1365)	59.8(1518)	83.8(2128)	92.8(2357)	95.8(2433)	
	7	Fork overall width		in (mm)	27.1 (688)						28.0(710)		
	8	Fork width		in (mm)	9.1(232)						10.0(254)		
	9	Load distance (face of battery box to center of load wheels)	Raised	in (mm)	23.3(591)	29.3(744)	35.3(896)	41.3(1048)	47.3(1201)	56.3(1430)			
			Lowered	in (mm)	27.6(702)	33.6(854)	39.6(1007)	45.6(1159)	51.7(1312)	60.6(1540)			
	10	Wheelbase	Raised	in (mm)	51.3(1303)	57.3(1455)	63.3(1608)	69.3(1760)	75.3(1912)	84.3(2141)			
			Lowered	in (mm)	55.3(1400)	61.1(1552)	67.1(1705)	73.1(1857)	79.1(2010)	88.1(2238)			
	11	Overall length	Raised	in (mm)	81.1(2061)	87.1(2213)	93.1(2366)	99.1(2518)	105.2(2671)	129.1(3280)	138.1(3509)	141.1(3538)	
			Lowered	in (mm)	80.6(2048)	86.6(2200)	92.6(2353)	98.6(2505)	104.6(2657)	128.6(3267)	137.6(3496)	140.6(3572)	
	12	Center of load wheel to fork tips	Raised	in (mm)	12.5(317)								
	14	Outside turning radius (Standard Platform)	Raised	in (mm)	66.7(1694)	72.7(1846)	78.7(1999)	84.7(2152)	90.7(2304)	99.7(2533)			
			Lowered	in (mm)	70.5(1791)	76.5(1943)	76.7(1947)	88.5(2249)	94.5(2401)	103.5(2630)			
		Outside turning radius (Extended Platform)	Raised	in (mm)	68.8(1747)	74.8(1899)	80.8(2052)	86.8(2205)	92.8(2357)	101.8(2586)			
Lowered			in (mm)	72.6(1844)	78.6(1996)	78.7(2000)	90.6(2302)	96.6(2454)	105.6(2683)				
15	Right angle stack (Standard Platform)	Raised	in (mm)	80.2(2037)	N/A	91.8(2332)	N/A	N/A	143.1(3636)				
	Right angle stack (Extended Platform)	Raised	in (mm)	81.6(2073)	N/A	93.8(2382)	N/A	N/A	144.9(3681)				
16	Equal intersecting aisle (Standard Platform)	Raised	in (mm)	61.5(1563)	N/A	68.9(1750)	N/A	N/A	75.7(1924)				
	Equal intersecting aisle (Extended Platform)	Raised	in (mm)	63.0(1599)	N/A	70.3(1786)	N/A	N/A	76.8(1950)				
17	Grade clearance	Chassis	%	28									
		Center of wheelbase	%	38	34	31	30	27	22				
		Forks	%	37						17	13	12	
18	Overall lift height	Top of forks	in (mm)	9.3(235)									
19	Lowered height	Top of forks	in (mm)	3.3(84)									
20	Total lift		in (mm)	5.9(151)									
21	Truck overall width	Standard	in (mm)	37.2(944)									
		Extended	in (mm)	38.7(984)									
22	Chassis length	Raised	in (mm)	43.3(1100)									
		Lowered	in (mm)	42.8(1087)									
23	Battery compartment (standard /w battery rollers)		in (mm)	32.0 x 13.4 x open (813 x 340 x open)									
PERFORMANCE	24	Max travel speed - chassis first	No load/ rated load	mph (kph)	9.0/6.0(14.5/9.7)								
	25	Max travel speed - forks first	No load/ rated load	mph (kph)	6.0/6.0(9.7/9.7)								
	26	Number of speeds			Infinitely variable								
	27	Traction motor control method	Type		AC Transistor								
28	Service brake	Type		Electro-mechanical									
WEIGHT	29	Truck weight (approx w/o battery)	No load	lb. (kg)	1382(627)	1433(650)	1481(672)	1523(691)	1567(711)	1687(765)	1742(790)	1772(804)	
			Rated load		7382(3349)	7433(3372)	7481(3394)	7523(3413)	7567(3433)	7687(3487)	7742(3512)	7772(3526)	
	30	Axle loading - drive	(static, max bat., no load)	lb. (kg)	1735(787)	1828(829)	1907(865)	2002(908)	2094(950)	2200(998)	2253(1022)	2299(1043)	
31	Axle loading - load	(static, max bat., no load)	lb. (kg)	802(364)	754(342)	719(326)	670(304)	622(282)	633(287)	635(288)	622(282)		
WHEELS	32	Drive tire - size/type	(# of wheels)	in.	13.0 x 4.5 x 9.0 / polyurethane (1)								
	33	Load wheel - size/type	(# of wheels) (# of bearings)	in.	3.25" x 6.5" / polyurethane (2) (4)								
	34	Caster wheel - size/type	(# of wheels) (caster type)	in.	4.0' x 2.5" / polyurethane (2) urethane block loaded								
BATTERY	35	Type			Lead acid								
	36	Ampere hours - max		ah	930								
	37	Ampere hours - min		ah	375								
	38	Weight - max		lb. (kg)	1500 (680)								
	39	Weight - min		lb. (kg)	540 (245)								

General Specifications MPE080VH

GENERAL		Yale												
1	Manufacturer	Yale												
2	Model designation	MPE080VH												
3	Power type	24 Volt												
4	Operator type	Stand ride												
5	Rated capacity	lb. (kg)	8000 (3629)											
6	Fork length	Nominal	in (mm)	36(914)	42(1067)	48(1219)	54(1372)	60(1524)	84(2134)	93(2362)	96(2438)	144(3658)		
		Actual	in (mm)	35.7(908)	41.8(1213)	47.8(1213)	53.7(1365)	59.8(1518)	83.8(2128)	92.8(2357)	95.8(2433)	143.8(3652)		
7	Fork overall width		in (mm)	27.1 (688)					28.0(710)			28.0(710)		
8	Fork width		in (mm)	9.1(232)					10.0(254)			10.0(254)		
9	Load distance (face of battery box to center of load wheels)	Raised	in (mm)	23.3(591)	29.3(744)	35.3(896)	41.3(1048)	47.3(1201)	56.3(1430)	N/A	N/A	104.3(2649)	83.9(2131)	
		Lowered	in (mm)	27.6(702)	33.6(854)	39.6(1007)	45.6(1159)	51.7(1312)	60.6(1540)	N/A	N/A	108.6(2759)	87.7 (2228)	
10	Wheelbase	Raised	in (mm)	51.3(1303)	57.3(1455)	63.3(1608)	69.3(1760)	75.3(1912)	84.3(2141)	N/A	N/A	132.3(3360)	111.4(2829)	
		Lowered	in (mm)	55.3(1400)	61.1(1552)	67.1(1705)	73.1(1857)	79.1(2010)	88.1(2238)	N/A	N/A	136.1(3457)	115.2(2926)	
11	Overall length	Raised	in (mm)	81.1(2061)	87.1(2213)	93.1(2366)	99.1(2518)	105.2(2671)	129.1(3280)	138.1(3509)	141.1(3538)	189.1(4804)		
		Lowered	in (mm)	80.6(2048)	86.6(2200)	92.6(2353)	98.6(2505)	104.6(2657)	128.6(3267)	137.6(3496)	140.6(3572)	188.6(4791)		
12	Center of load wheel to fork tips	Raised	in (mm)	12.5(317)					27.5(698)	36.5(927)	39.5(1003)		59.9(1521)	
		Lowered	in (mm)	8.1(206)					23.1(588)	32.2(817)	35.2(893)		56.1(1424)	
14	Outside turning radius (Standard Platform)	Raised	in (mm)	66.7(1694)	72.7(1846)	78.7(1999)	84.7(2152)	90.7(2304)	99.7(2533)			N/A	N/A	
		Lowered	in (mm)	70.5(1791)	76.5(1943)	76.7(1947)	88.5(2249)	94.5(2401)	103.5(2630)			N/A	N/A	
	Outside turning radius (Extended Platform)	Raised	in (mm)	68.8(1747)	74.8(1899)	80.8(2052)	86.8(2205)	92.8(2357)	101.8(2586)			149.8(3805)	128.9(3274)	
		Lowered	in (mm)	72.6(1844)	78.6(1996)	78.7(2000)	90.6(2302)	96.6(2454)	105.6(2683)			153.6(3902)	132.7(3371)	
15	Right angle stack (Standard Platform)	Raised	in (mm)	80.2(2037)	N/A	91.8(2332)	N/A	N/A	143.1(3636)			N/A	N/A	
	Right angle stack (Extended Platform)	Raised	in (mm)	81.6(2073)	N/A	93.8(2382)	N/A	N/A	144.9(3681)			188.2(4780)	190.7(4877)	
16	Equal intersecting aisle (Standard Platform)	Raised	in (mm)	61.5(1563)	N/A	68.9(1750)	N/A	N/A	75.7(1924)			N/A	N/A	
	Equal intersecting aisle (Extended Platform)	Raised	in (mm)	63.0(1599)	N/A	70.3(1786)	N/A	N/A	76.8(1950)			109.8(2790)	101.6(2580)	
17	Grade clearance	Chassis	%	28										
		Center of wheelbase	%	38	34	31	30	27	22			14	17	
		Forks	%	37					17	13	12		8	
18	Overall lift height	Top of forks	in (mm)	9.3(235)										
19	Lowered height	Top of forks	in (mm)	3.3(84)										
20	Total lift		in (mm)	5.9(151)										
21	Truck overall width	Standard	in (mm)	37.2(944)										
		Extended	in (mm)	38.7(984)										
22	Chassis length	Raised	in (mm)	45.4(1153)										
		Lowered	in (mm)	44.9(1140)										
23	Battery compartment (standard /w battery rollers)		in (mm)	32.0 x 13.4 x open(813 x 340 x open)										
PERFORMANCE	24	Max travel speed - chassis first	No load/ rated load	mph (kph)	9.0/6.0(14.5/9.7)									
	25	Max travel speed - forks first	No load/ rated load	mph (kph)	6.0/6.0(9.7/9.7)									
	26	Number of speeds		Infinitely variable										
	27	Traction motor control method	Type	AC Transistor										
28	Service brake	Type	Electro-mechanical											
WEIGHT	29	Truck weight (approx w/o battery)	No load	lb. (kg)	1444 (655)	1495 (678)	1539 (698)	1585 (719)	1629 (739)	1748 (793)	1803 (818)	1834 (832)	2198 (997)	2178 (988)
			Rated load		9444 (4284)	9495 (4307)	9539 (4327)	9585 (4348)	9629 (4368)	9748 (4422)	9803 (4447)	9834 (4461)	10198 (4626)	10178 (4617)
	30	Axle loading - drive	(static, max bat., no load)	lb. (kg)	1858 (843)	1878 (852)	1960 (889)	2055 (932)	2147 (974)	2255 (1023)	2308 (1047)	2357 (1069)	2668 (1210)	
31	Axle loading - load	(static, max bat., no load)	lb. (kg)	732(332)	754(342)	719(326)	670(304)	622(282)	633(287)	635(288)	622(282)	661(300)		
WHEELS	32	Drive tire - size/type	(# of wheels)	in.	13.0 x 4.5 x 9.0 / polyurethane (1)									
	33	Load wheel - size/type	(# of wheels) (# of bearings)	in.	3.25" x 6.5" / polyurethane (2) (4)									
	34	Caster wheel - size/type	(# of wheels) (caster type)	in.	4.0' x 2.5" / polyurethane (2) urethane block loaded									
BATTERY	35	Type		Lead acid										
	36	Ampere hours - max		930										
	37	Ampere hours - min		375										
	38	Weight - max		1500 (680)										
39	Weight - min		540 (245)											


MPE60-080VH

Standard equipment	Standard equipment (cont'd)	Options (cont'd)
<ul style="list-style-type: none"> • 48" long forks – standard tip • 27" fork spread • 37.2" operator platform • White rubber platform markers • Standard construction operating temperatures: +32°F to 120°F • Drive tire – 85 durometer, 13" x 4.5" smooth red polyurethane • Load wheels – single, 3.25" x 6.5" polyurethane • Casters – spring loaded, 4" x 2.5" polyurethane wheel (MPE060VH) • Heavy duty casters – urethane block loaded, 4" x 2.5" polyurethane wheel (MPE080-VH) • Multifunction full-color touch display <ul style="list-style-type: none"> – Battery state of charge – Hour meter – Low battery lift interrupt – Performance mode indicator – Fault indicator • Manual steering • Key ignition switch • 24 volt AC transistor control electrical system • Ergonomic rear hand rail • AC traction motor • 4 operator selectable, programmable performance modes • Integrated "soft start" transistor lift pump control • ADS (Auto Deceleration System) with regenerative braking • High performance and extended shift feature • 32.0" x 13.4" open battery compartment • Electro-mechanical park brake • UL Classification "E" • Electronic horn • Ergonomically designed, impact resistant, combination butterfly rotary control handle • Pallet exit rollers and runners / entry blades or skids • Knock-out load wheel axles • Boxed fork construction with reinforced fork tips • Flush pallet stop • Heavy duty, long life lift linkage with lubrication fittings 	<ul style="list-style-type: none"> – "X" groove style greaseable pivot bushings – 1" hardened, bolt retained flag pins • On-board software <ul style="list-style-type: none"> – Program, test and diagnose – No handset required – Password protected • Operating manual • 12 months / unlimited hour manufacturer's warranty • 36 months / 6,000 hour powertrain warranty • Lifetime main frame warranty 	<ul style="list-style-type: none"> – 96" – standard tip (MPE060VH only) – 84" – extended tip – 93" – extended tip – 96" – extended tip – 144" – extended tip (MPE080VH only) – 144" – short wheelbase extended tip (MPE080VH only) • Drive tire <ul style="list-style-type: none"> – 85 durometer, 13" x 4.5" grooved red polyurethane – 93 durometer, 13" x 4.5" smooth polyurethane – 93 durometer, 13" x 4.5" super smooth polyurethane • Load wheels <ul style="list-style-type: none"> – Single and dual – 2 bearing and 4 bearing – Standard bearing and sealed bearing • Load backrest <ul style="list-style-type: none"> – 48" high (pivoting or bolt-on) – 60" high (pivoting or bolt-on) – 72" high (bolt-on) • Application/Environmental Construction <ul style="list-style-type: none"> – Cooler/Freezer Package: Operating temps: 0°F to +120°F – SUBZERO Freezer Package: Operating temps: -40°F to +120°F – Wash Down Package: Operating temps: 0°F to +120°F – Extreme Corrosion Wash Down Package: Operating temps: 0°F to +120°F
	<h3 data-bbox="610 772 721 804">Options</h3> <ul style="list-style-type: none"> • UL Classification "EE" • Power assist steering • Battery rollers • Composite handle with butterfly travel control • Ergonomic rear hand rail with Smart Shift Functions: <ul style="list-style-type: none"> – Smart Lift – Smart Lower – Dual Acceleration – Smart Cruise – Smart Slow Down • Convenience tray (load backrest mounted or battery mounted) • RF terminal power supply – 24-volt • Audible alarm • Visible alarm – pole mounted amber strobe • Smart coast control with pick assist • Manual coast control with pick assist • Stability casters <ul style="list-style-type: none"> – Heavy duty – greaseable wheel (std on MPE080VH) – Heavy duty – sealed wheel • LED platform lights • 38.7" extended operator platform • LED fork lights • Fork lengths <ul style="list-style-type: none"> – 36" – standard tip – 42" – standard tip – 54" – standard tip – 60" – standard tip 	



YALE MATERIALS HANDLING CORPORATION • P.O. Box 7367, Greenville, NC 27835-7367

www.yale.com Manufactured in our own ISO 9001 and 14001 Registered Facilities

Yale is a Registered Trademark and  is a Registered Copyright. ©Yale Materials Handling Corporation 2020. All Rights Reserved.

Truck performance may be affected by the condition of the vehicle, how it is equipped and the application. Consult your Yale® Industrial Truck Dealer if any of the information shown is critical to your application. Specifications are subject to change without notice. CERTIFICATION: Yale lift trucks meet the design and construction requirements of B56.1-1969, per OSHA Section 1910.178(a)(2), and also comply with the B56.1 revision in effect at time of manufacture. Certification of compliance with the applicable ANSI standards appears on the lift truck. The Yale® products included in this document may be covered by US patent 6,684,148 and other patents pending.

2480-1B 1/2020 All trucks shown with optional equipment.