
Yale UX Series

Stand-up Electric Tow Tractor

MT30XUX / 3000KG



www.yale.com.au

Yale[®] 
People. Products. Productivity.™

► Overview

MT30XUX

The Yale® stand-up electric tow tractor MT30XUX demonstrates intelligent ergonomics, reliable technology and energy efficient features to facilitate operational needs. The low-maintenance design promotes increased productivity and helps reduce operational costs.

► Productivity

- High-power maintenance free AC drive motor
- Impressive pulling performance, up to 5% gradeability
- European traction controller
- Seamless travel and manoeuvrability
- Rear multi-position tow coupling
- Electronically powered steering
- Multi-function display
- Dual mirrors

► Safety & Structural Design

- Spacious, non-slip floor plate with anti-vibration function
- Ergonomic operator compartment to maximise driver comfort and operational efficiency
- Operator Presence System (OPS)
- Emergency stop button
- Automatic electro-magnetic parking brake
- High quality, robust components
- Low noise level

► Serviceability

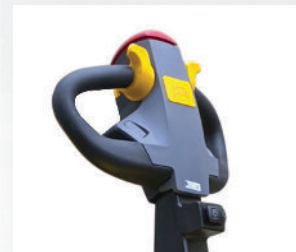
- Easy access for fast and efficient servicing
- Simple, readily available components
- Computer based diagnostics not required

► Optional Features

- Lithium ion battery
- Mechanical steering
- External charger
- Strobe light
- LED front working light
- Turn signals
- Tyre size and type



Spacious, Non-Slip Floor Plate



Adjustable, Ergonomic Tiller Head

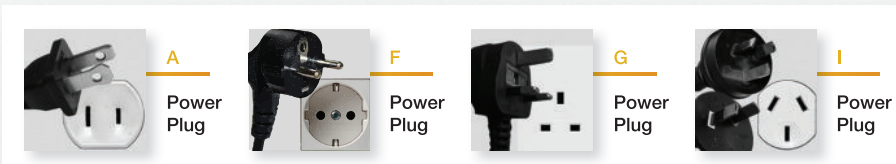


Rear Multi-Position Tow Coupling

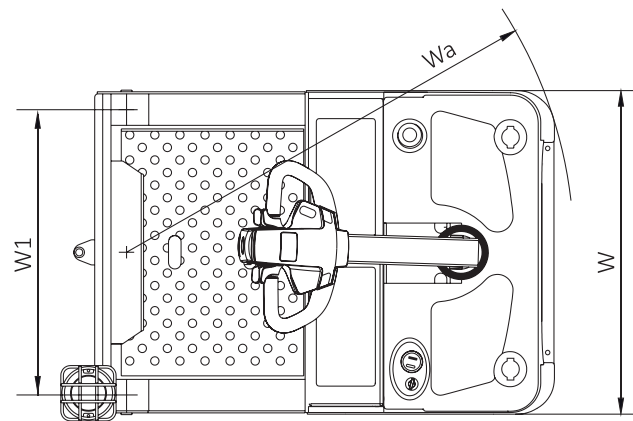
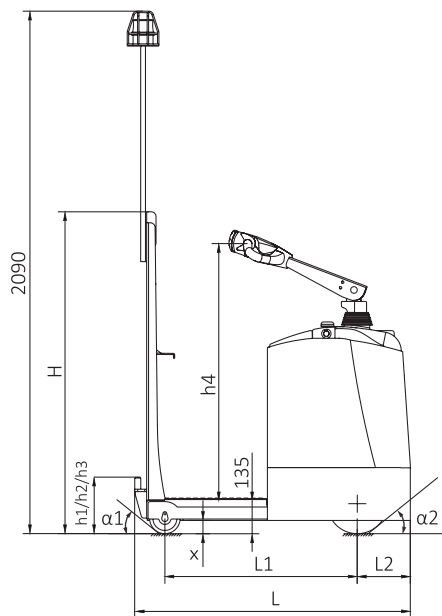


Easy Service Access via Front Cover

► MT30XUX Power Plug Type



Model	Measurement	MT30XUX
Power Type		24-Volt
Operator Type		Stand On
Rated Capacity	kg	3000
Max rated tractive force	N	3000
Drawbar Pull, 60min rating	N	750
Max Drawbar Pull, 5min rating	N	2500
Wheelbase	L1 (mm)	790
Rear Load Distance	L2 (mm)	221
Service Weight (with battery)	kg	640
Axle Loading, unladen front / rear (with battery)	kg	420 / 220
Front, Tyre size / type (No. of Wheels)		Ø250x70 Poly (1)
Rear, Tyre size / type (No. of Wheels)		Ø180x50 Poly (2)
Wheel Tread, rear	W1 (mm)	682
Tiller Height min / max	h4 (mm)	1010 / 1350
Overall Height	H	1360
Coupling Height	h1 / h2 / h3 (mm)	280 / 354 / 426
Overall Length	L (mm)	1280
Overall Width	W (mm)	773
Min Ground Clearance	X (mm)	55
Approach / Departure angle	$\alpha 1$ (°) / $\alpha 2$ (°)	≥ 16 / ≥ 35
Turning radius	Wa (mm)	1070
Aisle width	Ast (mm)	1473
Travel Speed, unladen / laden	km/h	7.1 / 7
Gradeability, laden / unladen	%	5 / 20
Service Brake / Parking Brake		Electric
Drive Control		AC
Drive Motor Rating *S2 60 min	kW	2.2kw (EPS) / 1.5kw (w/o EPS)
Battery Ampere Hours	Ah	240
Battery Weight	kg	188
Battery Size (L x W x H)	mm	750 x 170 x 570
Sound level at the drivers ear according to EN / DIN 12053	dB (A)	70



Yale® Dealers



Contact your nearest
Yale® Dealership by visiting
www.yale.com.au

Contact your local Yale® Dealer

Yale Pacific

1 Bullecourt Avenue, Milperra NSW, Australia 2214
Tel: +61 (2) 9795 3800 | Fax: +61 (2) 9792 8484
yale.com/pacific/en-au

Yale Asia

16 Tuas Avenue 20, Singapore 638827
Tel: +65 6863 3387 | Fax: +65 6863 3349
yale.com/asia/en-sg

Yale, and PEOPLE. PRODUCTS. PRODUCTIVITY are trademarks of Hyster-Yale Group, Inc.
® is a registered copyright of Hyster-Yale Group, Inc.

©Yale Asia Pacific 2020. All rights reserved. Specifications and details in this brochure are subject to change without prior notification.

www.yale.com.au



Manufactured in our own ISO 9001 and 14001 Registered Facilities

Trucks may be shown with optional equipment.

Yale® 
People. Products. Productivity.™