

---

# Yale UX Series

Seated Electric Tow Tractor

MT60UX / 6000KG



[www.yale.com.au](http://www.yale.com.au)

**Yale**<sup>®</sup>   
People. Products. Productivity.™

## ► Overview

# MT60UX

The Yale® seated electric tow tractor MT60UX demonstrates intelligent ergonomics, reliable technology and energy efficient features to facilitate operational needs. The low-maintenance design promotes increased productivity and helps reduce operational costs.

## ► Productivity

- High-power drive motor
- Impressive pulling performance
- Seamless travel and manoeuvrability
- 3 operation modes available
- Ergonomic layout
- Adjustable seat and steering column
- Rear multi-position tow coupling
- Maintenance free AC motor
- Multi-function LCD dash display

## ► Serviceability

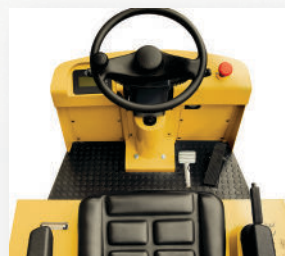
- Easy access for fast and efficient servicing
- Simple, readily available components
- CANbus technology reduces wiring complexity
- Built-in diagnostics, accessible via the dash display
- Computer-based diagnostics not required

## ► Safety & Structural Design

- Operator Presence System (OPS)
- Non-slip, uncluttered floor plate
- Drive axle design and low centre of gravity enables excellent stability
- Emergency stop button
- Low noise level
- High quality, robust components
- Seatbelt

## ► Optional Features

- Power steering
- Automatic electro-magnetic parking brake
- Seatbelt reminder system
- Semi-closed cabin
- Mirrors
- Non-marking tyres
- Blue Light and Strobe Light
- Keyless key switch (password)

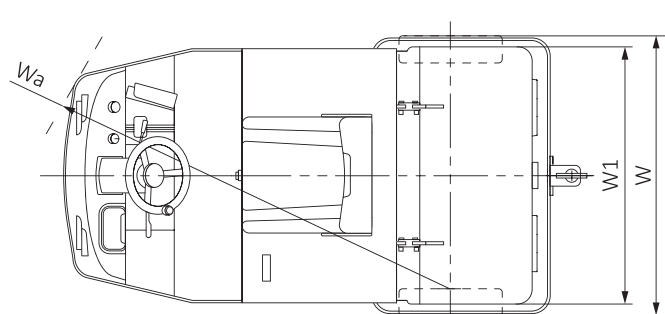
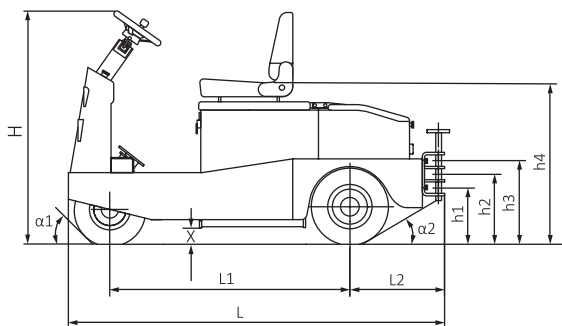


Ergonomic Operator  
Compartment



Easy Service Access  
via Back Cover

Model	Measurement	MT60UX
Power Type		48-Volt
Operator Type		Seated
Rated Capacity	kg	6000
Drawbar Pull, 60min rating	N	1500
Max Drawbar Pull, 5min rating	N	6000
Wheelbase	L1 (mm)	1280
Rear Load Distance	L2 (mm)	500
Service Weight	kg	1360
Axle Loading, unladen front / rear	kg	450 / 910
Front, Tyre size / type (No. of Wheels)		15x4.5 Solid (1)
Rear, Tyre size / type (No. of Wheels)		4.00-8 Solid (2)
Wheel Tread, front	mm	n/a
Wheel Tread, rear	W1 (mm)	946
Seat Height / STD	h4 (mm)	910
Coupling Height	h1 / h2 / h3 (mm)	295 / 370 / 440
Overall Length	L (mm)	1995
Overall Width	W (mm)	1100
Overall Height (excluding cab)	H (mm)	1280
Approach Angle	$\alpha 1$ (°)	$\geq 45$
Departure Angle	$\alpha 2$ (°)	$\geq 40$
Min Ground Clearance	X (mm)	90
Turning Radius	Wa (mm)	1650
Travel Speed, unladen	km/h	14.5
Travel Speed, laden	km/h	8
Gradeability, laden / unladen	%	7 / 15
Service Brake / Parking Brake		Hydraulic / Manual
Drive Control		AC
Drive Motor Rating *S2 60 min	kW	5.6
Steering Motor Rating *S2 5 min (Option)	kW	0.6
Battery Ampere Hours	Ah	400
Battery Weight	kg	680
Sound level at the drivers ear according to EN / DIN 12 053	dB (A)	<68



# Yale® Dealers



Contact your nearest  
Yale® Dealership by visiting  
[www.yale.com.au](http://www.yale.com.au)

Contact your local Yale® Dealer

## Yale Pacific

1 Bullecourt Avenue, Milperra NSW, Australia 2214  
Tel: +61 (2) 9795 3800 | Fax: +61 (2) 9792 8484  
[yale.com/pacific/en-au](http://yale.com/pacific/en-au)

## Yale Asia

16 Tuas Avenue 20, Singapore 638827  
Tel: +65 6863 3387 | Fax: +65 6863 3349  
[yale.com/asia/en-sg](http://yale.com/asia/en-sg)

Yale, and PEOPLE. PRODUCTS. PRODUCTIVITY are trademarks of Hyster-Yale Group, Inc.  
is a registered copyright of Hyster-Yale Group, Inc.

©Yale Asia Pacific 2020. All rights reserved. Specifications and details in this brochure are subject to change without prior notification.

[www.yale.com.au](http://www.yale.com.au)



Manufactured in our own ISO 9001 and 14001 Registered Facilities

Trucks may be shown with optional equipment.

**Yale®**   
People. Products. Productivity.™