

# NR/NDR030-045EC

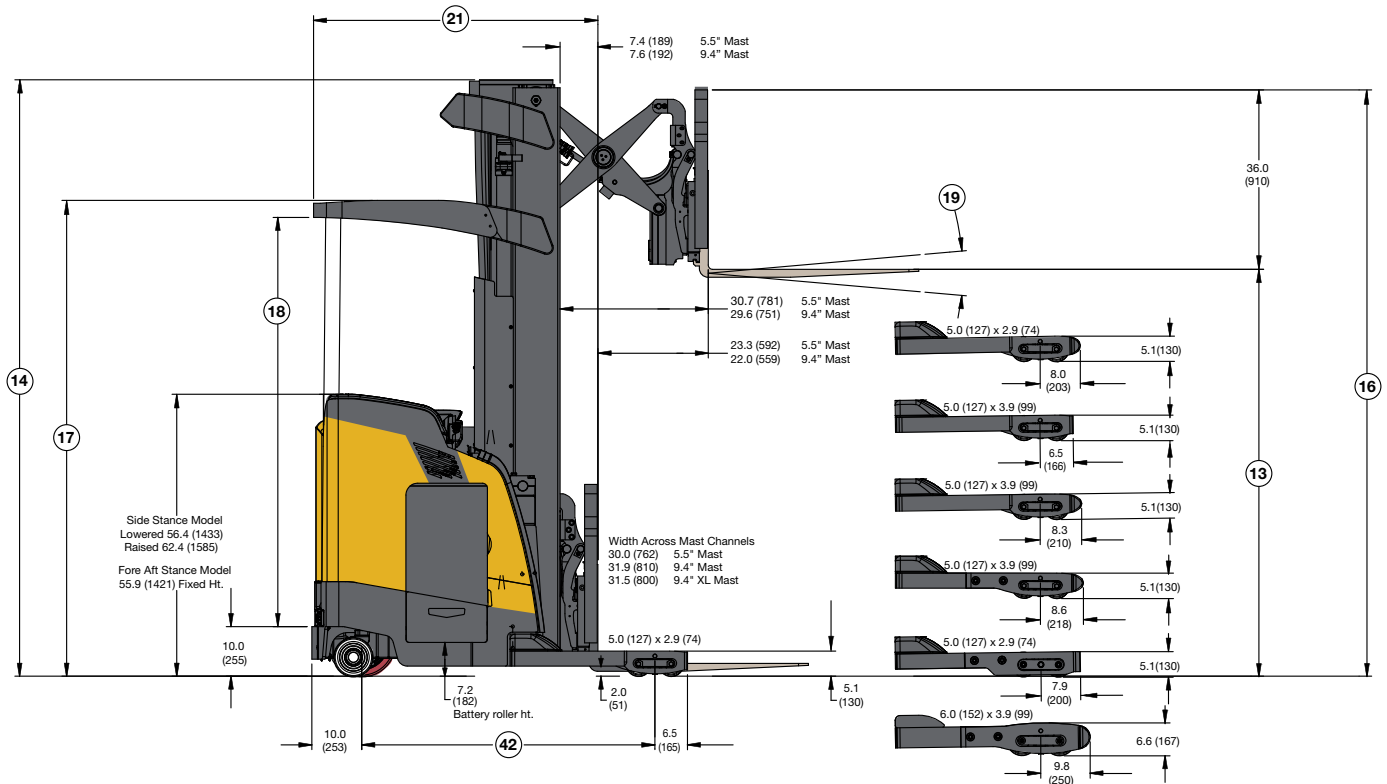
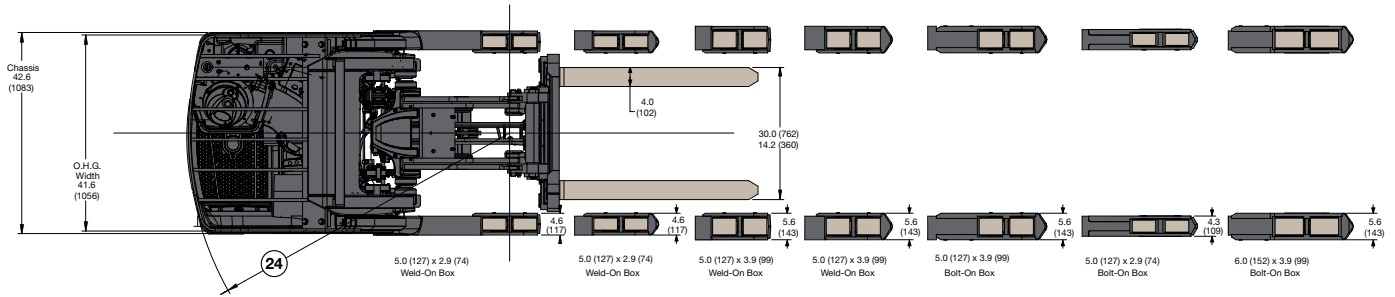
## Narrow Aisle Reach Truck

**3,000 - 4,500 lb**

- Combines the latest technology with next-level performance capable of exceeding expectations in high-density warehousing
- Designed to help enhance forward visibility when picking at height or traveling in forward direction
- Operator-focused ergonomics to help optimize comfort and productivity
- Offered in side-stance and fore/aft stance operator compartments



# Truck Dimensions NR035-045EC



Circled dimensions correspond to the line numbers on the tabulated chart inside the Technical Guide. Dimensions are in inches (millimeters).

## General Specifications NR035-045EC

		Yale		Yale		Yale			
GENERAL	1	Manufacturer name	Yale		Yale		Yale		
	2	Model	NR035EC		NR040EC		NR045EC		
	3	Wheel base designation	SWB		SWB		SWB		
	4	Rated capacity	lb (kg)	3500 (1588)		4000 (1814)		4500 (2041)	
	5	Load center, distance	in (mm)			24 (610)			
	6	Power type - electric, diesel, LPG			Electric - 36V				
	7	Operator type			Stand				
	8	Tire type - load/caster/drive			Poly/Poly/Poly				
	9	Wheels, number load/drive (x=driven)			4 / 2 (1x)				
WT.	10	Truck weight, without battery (approximate)	lb	5400		5400		5930	
	12	Axle loading with assembly retracted (front/rear) **	lb	6874/4375		7459/4290		8546/4228	
DIMENSIONS	13	Height, standard lift (TOF)	in (mm)						
	14	Height, standard mast lowered (OALH)	in (mm)						
	15	Height, freelif (TOF)	in (mm)						
	16	Height, standard mast extended w/LBR	in (mm)			See mast table			
	17	Height, top of OHG	in (mm)						
	18	Height, operator clearance	in (mm)						
	19	Mast tilt angle, forward/back	degrees			3 / 4			
	20	Forks, standard (length x width x thickness)	in	1.60 x 3.9 x 42		1.80 x 3.9 x 42		1.80 x 3.9 x 42	
	21	Headlength to face of forks - all battery compartments ***	in (mm)			See mast table			
	22	Outrigger ID	in			34" - 49" (1" increments)			
	23	Battery compartment size, 14.25" - (LxWxH)		39.0 x 14.25 x 31.5		39.0 x 14.25 x 31.5		N/A	
		Battery compartment size, 16.25" - (LxWxH)	in	39.0 x 16.25 x 31.5		39.0 x 16.25 x 31.5		39.0 x 16.25 x 31.5	
		Battery compartment size, 18.25" - (LxWxH)	in	N/A		N/A		39.0 x 18.25 x 31.5	
		Battery compartment size, 21.25" - (LxWxH)	in	N/A		N/A		39.0 x 21.25 x 31.5	
					5.5" Mast	9.4" Mast	5.5" Mast	9.4" Mast	9.4" Mast
	24	Turning radius - min. outside, 14.25" batt. compartment	in	65.6		N/A		N/A	
		Turning radius - min. outside, 16.25" batt. compartment	in	67.6		N/A		68.5	
Turning radius - min. outside, 18.25" batt. compartment		in	N/A		N/A		70.5		
Turning radius - min. outside, 21.25" batt. compartment		in	N/A		N/A		73.5		
25	Aisle width - zero clearance - right angle stack			See right angle stack table					
26	Stability - comply with ANSI			YES					
PERFORMANCE	27	Travel speed			Standard		Optional		
	28	Rearward (chassis first) - empty/RL	mph	7.5/6.5		N/A		7.5/6.5 †	
	29	Forward (forks first) - empty/RL	mph	7.5/6.5		N/A		7.5/6.5 †	
		Lift speed ****		Standard 5.5" mast	Optional 9.4" mast	Standard 5.5" mast	Optional 9.4" mast	Standard 9.4" mast	Optional 9.4" mast
	31	Empty	ft/min	130		N/A		130	
	31a	1,000 lb.	ft/min	110		N/A		110	
	32	2,000 lb.	ft/min	95		N/A		95	
	33	3,000 lb.	ft/min	78		N/A		78	
	34	3,500 lb.	ft/min	75		N/A		75	
	35	4,000 lb.	ft/min	N/A		N/A		70	
36	4,500 lb.	ft/min	N/A		N/A		83		
37	Lowering speeds, empty ****	ft/min	110		N/A		110		
38	Lowering speeds, RL ****	ft/min	110		N/A		110		
39	Size - front load wheels, standard			5 x 3.9		5 x 3.9		5 x 3.9	
WHEELS & TIRES	41	Size, standard - drive tire/dual casters			13.5 x 5.5 / 7.9 x 2.2				
				5.5" Mast	9.4" Mast	5.5" Mast	9.4" Mast	9.4" Mast	
	42	Wheelbase - 14.25" battery compartment	in	55.6		N/A		N/A	
		Wheelbase - 16.25" battery compartment	in	57.6		N/A		58.5	
		Wheelbase - 18.25" battery compartment	in	N/A		N/A		60.5	
Wheelbase - 21.25" battery compartment		in	N/A		N/A		63.5		
43	Brakes, service/parking (method of control)			Foot / Auto					
44	Brakes, service/parking (method of operation)			Regen / spring apply (electric release)					
45	Battery type			Lead acid (std), Li-Ion (opt), fuel cell (opt)					
ELECTRIC	46	Traction motor rating (60 minute rating)	hp (kw)			8.9 (6.6)			
	47	Hoist motor rating (5 minute rating)	hp (kw)			29.2 (21.8)			
	48	Traction motor control method			Transistor				
	49	Hoist motor control method			Transistor				
	50	Number of speeds			Infinitely variable				

\* Short or long wheelbase is for double reach only. LWB for double reach masts 332" and below

\*\* Static with rated load and max. wt. battery

\*\*\* Includes integral sideshift, subtract 1" for without sideshift

\*\*\*\* Lift and lower speeds reduced for UL 'EE'

† Travel Speed will be reduced to 6.8 / 5.8 (empty / rated load) with MFHs above 341" in the rearward and forward direction.

Travel Speed is reduced to 6.5mph for loads 2500lbs and greater

\*\* High speed lowering and high speed lift are separate options

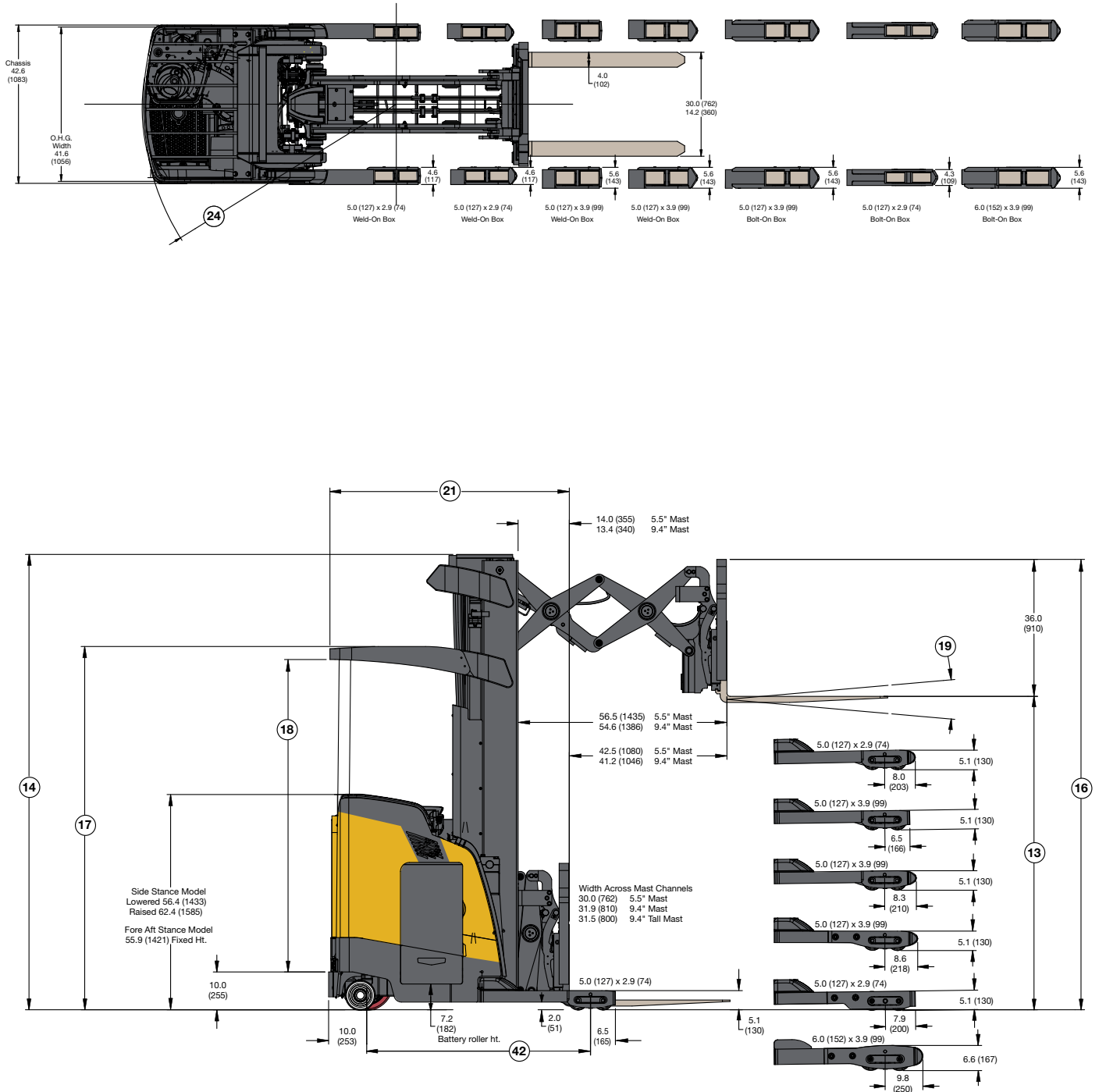
SWB = Short Wheel Base; LWB = Long Wheel Base

CERTIFICATION: Yale lift trucks meet the design and construction requirements of B56.1-1969, per OSHA Section 1910.178(a)(2), and also comply with the B56.1 revision in effect at time of manufacture.

Certification of compliance with the applicable ANSI standards appears on the lift truck.

NOTE: Performance specifications / ratings are for truck equipped as described under Standard Equipment in this Technical Guide. Performance specifications are affected by the condition of the vehicle and how it is equipped, as well as by the nature and condition of the operating area. Specifications are subject to change and the proposed application should be discussed with your authorized Yale Materials Handling Dealer.

# Truck Dimensions NDR030-035EC



Circled dimensions correspond to the line numbers on the tabulated chart inside the Technical Guide. Dimensions are in inches (millimeters).

## General Specifications NDR030-035EC

		Yale				Yale		
		NDR030EC				NDR035EC		
		LWB	SWB	LWB	SWB	LWB	SWB	
GENERAL	1	Manufacturer name	Yale				Yale	
	2	Model	NDR030EC				NDR035EC	
	3	Wheel base designation	LWB	SWB	LWB	SWB	LWB	SWB
	4	Rated capacity	3000 (1361)				3500 (1588)	
	5	Load center, distance	24 (610)					
	6	Power type - electric, diesel, LPG	Electric - 36V					
	7	Operator type	Stand					
	8	Tire type - load/caster/drive	Poly/Poly/Poly					
	9	Wheels, number load/drive (x=driven)	4 / 2 (1x)					
WT.	10	Truck weight, without battery (approximate)	5650				6190	
	12	Axle loading with assembly retracted (front/rear) **	6409/4589				7578/4458	
DIMENSIONS	13	Height, standard lift (TOF)						
	14	Height, standard mast lowered (OALH)						
	15	Height, freelif (TOF)						
	16	Height, standard mast extended w/LBR	See mast table					
	17	Height, top of OHG						
	18	Height, operator clearance						
	19	Mast tilt angle, forward/back	3 / 4					
	20	Forks, standard (length x width x thickness)	1.60 x 3.9 x 42				1.60 x 3.9 x 42	
	21	Headlength to face of forks - all battery compartments ***	See mast table					
	22	Outrigger ID	34"- 49" (1" increments)					
	23	Battery compartment size, 14.25" - (LxWxH)	39.0 x 14.25 x 31.5				N/A	
		Battery compartment size, 16.25" - (LxWxH)	39.0 x 16.25 x 31.5				39.0 x 16.25 x 31.5	
		Battery compartment size, 18.25" - (LxWxH)	N/A				39.0 x 18.25 x 31.5	
		Battery compartment size, 21.25" - (LxWxH)	N/A				39.0 x 21.25 x 31.5	
				5.5" Mast		9.4" Mast		9.4" Mast
	24	Turning radius - min. outside, 14.25" batt. compartment	in	70.6	N/A	N/A	N/A	N/A
		Turning radius - min. outside, 16.25" batt. compartment	in	72.6	N/A	72.6	68.5	72.6 68.5
Turning radius - min. outside, 18.25" batt. compartment		in	N/A				74.6	70.5
Turning radius - min. outside, 21.25" batt. compartment		in	N/A				77.6	73.5
25	Aisle width - zero clearance - right angle stack	See right angle stack table						
26	Stability - comply with ANSI	YES						
PERFORMANCE	27	Travel speed	Standard		Optional		Standard	Optional
	28	Rearward (chassis first) - empty/RL	mph	7.5/6.5 †	N/A		7.5/6.5 †	8.0/6.5 †
	29	Forward (forks first) - empty/RL	mph	7.5/6.5 †	N/A		7.5/6.5 †	8.0/6.5 †
		Lift speed ****		Standard 5.5" mast	Optional 9.4" mast		Standard 9.4" mast	Optional 9.4" mast
	31	Empty	ft/min	130	150		150	175
	31a	1,000 lb.	ft/min	110	133		135	150
	32	2,000 lb.	ft/min	95	115		120	130
	33	3,000 lb.	ft/min	78	100		103	115
	34	3,500 lb.	ft/min	N/A	N/A		95	95
	35	4,000 lb.	ft/min	N/A	N/A		N/A	N/A
36	4,500 lb.	ft/min	N/A	N/A		N/A	N/A	
37	Lowering speeds, empty ****	ft/min	110	140		140	160 ††	
38	Lowering speeds, RL ****	ft/min	110	140		140	160 ††	
39	Size - front load wheels, standard	5 x 2.9				5 x 2.9		
WHEELS & TIRES	41	Size, standard - drive tire/dual casters	13.5 x 5.5 / 7.9 x 2.2					
			5.5" Mast		9.4" Mast		9.4" Mast	
	42	Wheelbase - 14.25" battery compartment	in	60.6	N/A	N/A	N/A	N/A
		Wheelbase - 16.25" battery compartment	in	62.6	N/A	62.6	58.5	62.6 58.5
		Wheelbase - 18.25" battery compartment	in	N/A				64.6
Wheelbase - 21.25" battery compartment		in	N/A				67.6	63.5
43	Brakes, service/parking (method of control)	Foot / Auto						
44	Brakes, service/parking (method of operation)	Regen / spring apply (electric release)						
45	Battery type	Lead acid (std), Li-Ion (opt), fuel cell (opt)						
ELECTRIC	46	Traction motor rating (60 minute rating)	hp (kw)	8.9 (6.6)				
	47	Hoist motor rating (5 minute rating)	hp (kw)	29.2 (21.8)				
	48	Traction motor control method	Transistor					
	49	Hoist motor control method	Transistor					
	50	Number of speeds	Infinitely variable					

\* Short or long wheelbase is for double reach only. LWB for double reach masts 332" and below

\*\* Static with rated load and max. wt. battery

\*\*\* Includes integral sideshift, subtract 1" for without sideshift

\*\*\*\* Lift and lower speeds reduced for UL 'EE'

† Travel Speed will be reduced to 6.8 / 5.8 (empty / rated load) with MFHs above 341" in the rearward and forward direction.

Travel Speed is reduced to 6.5mph for loads 2500lbs and greater

†† High speed lowering and high speed lift are separate options

SWB = Short Wheel Base; LWB = Long Wheel Base

CERTIFICATION: Yale lift trucks meet the design and construction requirements of B56.1-1969, per OSHA Section 1910.178(a)(2), and also comply with the B56.1 revision in effect at time of manufacture.

Certification of compliance with the applicable ANSI standards appears on the lift truck.

NOTE: Performance specifications / ratings are for truck equipped as described under Standard Equipment in this Technical Guide. Performance specifications are affected by the condition of the vehicle and how it is equipped, as well as by the nature and condition of the operating area. Specifications are subject to change and the proposed application should be discussed with your authorized Yale Materials Handling Dealer.

### NR035-040EC & NDR030EC Mast Dimensions (5.5" Standard)

Overall Lowered Ht.	Max. Fork Height (TOF)	Free-Lift (TOF)	Overall Height (Mast Extended) Highest Point w/36" LBR	Overhead Guard Height to Top	Operator Clearance	Head Length (Length to Face of Forks)			
						14.25"		16.25"	
in (mm)	in (mm)	in (mm)	in (mm)	in (mm)	in (mm)	Single Reach	Double Reach	Single Reach	Double Reach
<b>3-Stage Full Free-Lift (FFL) VISTA™ Mast</b>									
87 (2210)	191 (4851)	48 (1219)	230 (5842)	87 (2212)	74.3 (1887)	52.16	57.83	54.21	59.88
91 (2311)	203 (5156)	52 (1321)	242 (6147)	91 (2314)	78.3 (1989)	52.16	57.83	54.21	59.88
95 (2413)	212 (5385)	56 (1422)	251 (6375)	95 (2416)	82.3 (2090)	52.16	57.83	54.21	59.88
101 (2565)	227 (5766)	62 (1575)	266 (6756)	95 (2416)	82.3 (2090)	52.16	57.83	54.21	59.88
107 (2718)	242 (6147)	68 (1727)	281 (7137)	95 (2416)	82.3 (2090)	52.16	57.83	54.21	59.88
110 (2794)	251 (6375)	71 (1803)	290 (7366)	95 (2416)	82.3 (2090)	52.16	57.83	54.21	59.88
119 (3023)	272 (6909)	80 (2032)	311 (7899)	95 (2416)	82.3 (2090)	52.16	57.83	54.21	59.88
125 (3175)	287 (7290)	86 (2184)	325 (8255)	95 (2416)	82.3 (2090)	52.16	57.83	54.21	59.88
131 (3327)	302 (7671)	92 (2337)	340 (8636)	95 (2416)	82.3 (2090)	52.16	57.83	54.21	59.88

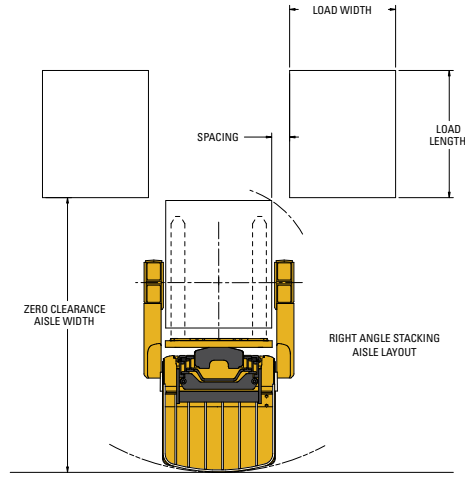
### NR040-045EC & NDR030-035EC Mast Dimensions (9.4" Premium)

Overall Lowered Ht.	Max. Fork Height (TOF)	Free-Lift (TOF)	Overall Height (Mast Extended) Highest Point w/36" LBR	Overhead Guard Height to Top	Operator Clearance	Head Length (Length to Face of Forks)					
						16.25"		18.25"		21.25"	
in (mm)	in (mm)	in (mm)	in (mm)	in (mm)	in (mm)	Single Reach	Double Reach	Single Reach	Double Reach	Single Reach	Double Reach
<b>3-Stage Full Free-Lift (FFL) VISTA™ Mast</b>											
95 (2413)	210 (5334)	59 (1509)	246 (6248)	95 (2416)	82.3 (2090)	57.20	62.91	59.17	64.92	62.12	67.91
107 (2718)	241 (6121)	71 (1814)	277 (7036)	95 (2416)	82.3 (2090)	57.20	62.91	59.17	64.92	62.12	67.91
110 (2794)	250 (6350)	74 (1890)	286 (7264)	95 (2416)	82.3 (2090)	57.20	62.91	59.17	64.92	62.12	67.91
119 (3023)	272 (6909)	83 (2118)	308 (7823)	95 (2416)	82.3 (2090)	57.20	62.91	59.17	64.92	62.12	67.91
125 (3175)	287 (7290)	89 (2271)	323 (8204)	95 (2416)	82.3 (2090)	57.20	62.91	59.17	64.92	62.12	67.91
131 (3327)	302 (7671)	95 (2423)	338 (8585)	95 (2416)	82.3 (2090)	57.20	62.91	59.17	64.92	62.12	67.91
140 (3556)	321 (8153)	104 (2652)	357 (9068)	95 (2416)	82.3 (2090)	57.20	62.91	59.17	64.92	62.12	67.91
143 (3632)	332 (8433)	107 (2728)	368 (9347)	95 (2416)	82.3 (2090)	57.20	62.91	59.17	64.92	62.12	67.91
149 (3785)	341 (8661)	113 (2880)	377 (9576)	95 (2416)	82.3 (2090)	57.20	62.91	59.17	64.92	62.12	67.91
157 (3988)	368 (9347)	121 (3084)	404 (10262)	95 (2416)	82.3 (2090)	57.20	62.91	59.17	64.92	62.12	67.91

### NR045EC & NDR035EC Mast Dimensions (9.4" XL Premium)

Overall Lowered Ht.	Max. Fork Height (TOF)	Free-Lift (TOF)	Overall Height (Mast Extended) Highest Point w/36" LBR	Overhead Guard Height to Top	Operator Clearance	Head Length (Length to Face of Forks)			
						18.25"		21.25"	
in (mm)	in (mm)	in (mm)	in (mm)	in (mm)	in (mm)	Single Reach	Double Reach	Single Reach	Double Reach
<b>3-Stage Full Free-Lift (FFL) VISTA™ Mast</b>									
140 (3556)	321 (8153)	104 (2652)	357 (9068)	95 (2416)	82.3 (2090)	59.17	64.92	62.12	67.91
143 (3632)	332 (8433)	107 (2728)	368 (9347)	95 (2416)	82.3 (2090)	59.17	64.92	62.12	67.91
149 (3785)	341 (8661)	113 (2880)	377 (9576)	95 (2416)	82.3 (2090)	59.17	64.92	62.12	67.91
157 (3988)	368 (9347)	121 (3084)	404 (10262)	95 (2416)	82.3 (2090)	59.17	64.92	62.12	67.91
170 (4318)	401 (10185)	134 (3414)	437 (11100)	95 (2416)	82.3 (2090)	59.17	64.92	62.12	67.91
179 (4547)	422 (10719)	143 (3642)	458 (11633)	95 (2416)	82.3 (2090)	59.17	64.92	62.12	67.91
188 (4775)	444 (11278)	152 (3871)	480 (12192)	95 (2416)	82.3 (2090)	59.17	64.92	62.12	67.91

## Right Angle Aisle Stacking



Note: These are "Zero Clearance" aisles and require an additional 6" to 12" to be added to provide for easier maneuvering.

### NR035-040EC - 5.5" Mast

14.25" Battery Compartment and 42" ID

3 Stage - 4" Between Loads

Pallet Length (inches)	Pallet Width (inches)				
	36	40	44	48	
36	85	85	85	85	
40	87	87	86	86	
44	92	91	91	90	
48	96	96	95	95	

Subtract 1" if without sideshift

Add 2" for 16.25" battery compartment

### NDR030EC - 5.5" Mast

14.25" Battery Compartment and 42" ID

3 Stage - 6" Between Loads

Pallet Length (inches)	Pallet Width (inches)				
	36	40	44	48	
36	87	86	86	86	
40	91	90	90	89	
44	96	95	95	94	
48	100	100	99	99	

Sideshift is standard on double reach

Add 2" for 16.25" battery compartment

### NDR035EC - 9.4" Mast

16.25" Battery Compartment and 42" ID

3 Stage - 6" Between Loads

Pallet Length (inches)	Pallet Width (inches)				
	36	40	44	48	
36	92	91	91	90	
40	96	96	95	95	
44	101	100	100	99	
48	105	105	104	104	

Sideshift is standard on double reach

Add 2" for 18.25" battery compartment

Add 5" for 21.25" battery compartment

### NR045EC - 9.4" Mast

16.25" Battery Compartment and 42" ID

3 Stage - 4" Between Loads

Pallet Length (inches)	Pallet Width (inches)				
	36	40	44	48	
36	88	88	88	88	
40	92	92	91	91	
44	97	96	96	96	
48	101	101	100	100	

Subtract 1" for without sideshift

Add 2" for 18.25" battery compartment

Add 5" for 21.25" battery compartment

### NDR030EC - 9.4" Mast

16.25" Battery Compartment and 42" ID

3 Stage - 6" Between Loads

Pallet Length (inches)	Pallet Width (inches)				
	36	40	44	48	
36	92	91	91	90	
40	96	96	95	95	
44	101	100	100	99	
48	105	105	104	104	

Sideshift is standard on double reach

### NR040EC - 9.4" Mast

16.25" Battery Compartment and 42" ID

3 Stage - 4" Between Loads

Pallet Length (inches)	Pallet Width (inches)				
	36	40	44	48	
36	88	88	88	88	
40	92	92	91	91	
44	97	96	96	96	
48	101	101	100	100	

Subtract 1" if without sideshift

## Battery and Compartment Specifications

### Battery Specifications

Battery Compt. Size	Batt. Voltage	NR035EC	NR040EC	NDR030EC	NR045EC	NDR035EC	Maximum 6 Hr Rate		Battery Compartment Dimensions						Battery Dimensions						Minimum Batt. Wt.	Maximum Batt. Wt.
									"X" Max.		"Y" Max.		"Z" Max.		"X" Max.		"Y" Max.		"Z" Max.			
							AH	KWH	in	(mm)	in	(mm)	in	(mm)	in	(mm)	in	(mm)	in	(mm)	in	(mm)
14.25"	36	X	X	X	N/A	N/A	775	27.2	39	990	14.25	362	31.5	800	38.8	985	14	356	31	788	1600 (726)	2100 (953)
16.25"	36	X	X	X	X	X	930	32.6	39	990	16.25	413	31.5	800	38.8	985	16	406	31	788	1850 (839)	2350 (1066)
18.25"	36	N/A	N/A	N/A	X	X	1085	38.1	39	990	18.25	464	31.5	800	38.8	985	18	457	31	788	2200 (998)	2800 (1270)
21.25"	36	N/A	N/A	N/A	X	X	1240	43.5	39	990	21.25	540	31.5	800	38.8	985	21	533	31	788	2500 (1134)	3100 (1406)

Battery Connector: 24V - Red; 36V - Gray; Position "B", Lead Length 16"

Manufacturers standard cable size not to exceed 4/0 AWG

Battery compartment is designed to accommodate standard wet cell batteries with fixed lifting eyes and no cover.

Contact Applications Engineering to verify compatibility/fit when using maintenance free, covered or non-standard batteries.

# NR/NDR030-045EC

## Standard equipment

- Sidestance Operator Controls
- Yale Smart Operator Sensing System
- Wire Mesh Mast Guard
- Yale – EZ Ride Floor
- Low Profile Anti-Fatigue Floormat
- Automotive Steering
- Steer Tiller Position Adjustment
- 36 Volt Battery (Includes 350 Amp Gray Battery Connector)
- 91" / 203" / 52" – (5.5") 3 Stage Full Free Lift Mast (NR035-040EC, NDR030EC)
- 95" / 210" / 59" – (9.4") 3 Stage Full Free Lift Mast (NR045EC, NDR035EC)
- Single Reach Mast with 33.5" Wide Class II with Integral Sideshift (Hook Type Carriage) (Standard on NR035-045EC)
- Double Reach Mast with 33.5" Wide Class II with Integral Sideshift (Hook Type Carriage) (Standard on NDR030-035EC)
- Forks: 1.8" x 3.9" (45 mm x 100 mm) 42"(1067 mm) – Class II, Hook Type (Standard on NR040-045EC)
- Forks: 1.6" x 3.9" (40 mm x 100 mm) 42" (1067 mm) – Class II, Hook Type (Standard on NDR030-035EC and NR035EC)
- 5" x 3.9" Poly Articulating Tandem Load Wheels - High Load Compound (Standard on NR035-045EC)
- 5" x 2.9" Poly Articulating Tandem Load Wheels - High Load Compound (Standard on NDR030-035EC)
- AC Traction, Lift / Lower and Steering
- Low Step Height
- Transistor Controller with Regenerative Braking
- 4 Independent Fully Programmable Performance Modes
- Programmable Traction Speed and Acceleration
- Electric Power Steering
- Fully Proportional Lift/Lower Control
- XL-AC™ Drive Tire – 13.5" x 5.5"
- Dual Articulating Polyurethane Caster Wheels
- Power Disconnect
- Key Start
- 2 USB Ports
- 36" High Load Backrest Extension
- Sealed Battery Rollers
- Tilting Carriage (3° Fwd, 4° Back)
- Padded Operator Compartment
- Rear Post Operator Protection
- Operator's Overhead Guard
- Control Handle with Simultaneous Hydraulic Functions
- Slack Chain Detection
- 5" Smart Display: Color Touchscreen with:
  - Clock
  - Bar Graphic Battery Discharge Indicator and Lift Interrupt
  - Hour Meters: Truck, Traction, Hoist Pump, and Secure
  - Maintenance reminders
  - Programmable Performance Mode Selection
  - User passwords and Operator logs with history
  - Steer Wheel Angle Graphic Indication
  - Truck Inspection Check List
  - Truck Speed Indication in MPH or KPH
- Electronic Horn
- Static Discharge Strap
- UL Classification E
- Operating Manual
- 12 Month / Unlimited Hours Full Truck Warranty
- 3 Years/ 6,000 Hour Powertrain Warranty
- Lifetime Frame Warranty

## Options

- Fore/Aft Stance Operator Controls
- Reverse Steering
- Speed Sensitive Steering
- Yale – Smart Ride Floor (Full Suspension Floor)
- Clear Mast Guard
- (9.4") 3 Stage Full Free Lift Mast (NR040EC, NDR030EC)
- Steered Caster
- Keyless Start
- 7" Smart Display: Color Touchscreen
- Rotary Joystick (Opt – Standard Construction, Standard – Cooler/Freezer/SubZero)
- Battery Stand
- Battery Puller
- Battery Gate Interlock
- Lithium Ion Ready
- Fuel Cell Ready
- Cooler/Freezer Construction (0° F to 120°F), Includes Rubber Floormat
- SubZero Freezer Construction (Operating Temperatures -40°F to 120°F), Includes Rubber Floormat
- SubZero Freezer with Heated Floor and Control Handle (Operating Temperatures -40°F to 120°F), Includes Anti-Slip Floorplate Covering
- Tapered Load Wheel Boxes
- Bolt-On Load Wheel Boxes
- Various Load Wheels and Drive Tires
- Lift Limits
- Lower Limit - Load Transport Position
- Single Reach Mast without Integral Sideshift for Standard 33.5" Wide Carriage \*\*
- Various Fork Lengths
- Various I.D. Outriggers (Yale)
- Fork Height Display
- Fork Leveling (Return to Set Tilt)
- Return to Center Sideshifting
- Fork Camera (Requires 9.4" Mast)
- Laser Level Line
- Shelf Height Selector
- 48" High Load Backrest Extension
- Audible Back-up and Motion Alarms
- Visual Amber Strobe Light
- Blue LED Spotlights
- Operator LED Desktop Light
- Dual LED Headlights
- Rear LED Worklight
- High Speed Lift (NR040EC, NDR030EC)
- High Speed Lift / Travel (NR045EC, NDR035EC)
- High Speed Lower (Requires High Speed Lift / Travel)
- Operator Overhead Fan
- Load Weight Display
- Reduced Travel Speed with Carriage Extended
- RF Terminal Bracket
- RF Handheld Scanner Holder
- 12 Volt DC Auxiliary Power Supply
- Impact Monitor
- Wire Mesh on Top OHG
- Parts Manual
- UL Classification EE
- Rear Operator Compartment Door \* - SPED
- Yale Vision


\* Doors are intended to protect the operator from objects that may enter the operator's compartment but they may also slow the operator's egress in emergency situations. A review of the forklift's intended environment should be conducted before selecting a door as optional equipment.

\*\* For 5.5" Mast Sideshift includes 7" travel (3.5" each side). Sideshift travel will be reduced to 3" total (1.5" each side) when Outtrigger ID is less than 39" For 9.4" Mast Sideshift includes 8" travel (4" each side). Sideshift travel will be reduced to 4" total (2" each side) when Outtrigger ID is less than 39"



YALE MATERIALS HANDLING CORPORATION • P.O. Box 7367, Greenville, NC 27835-7367

www.yale.com Manufactured in our own ISO 9001 and 14001 Registered Facilities

Yale is a Registered Trademark and  is a Registered Copyright. ©Yale Materials Handling Corporation 2020. All Rights Reserved.

Truck performance may be affected by the condition of the vehicle, how it is equipped and the application. Consult your Yale® Industrial Truck Dealer if any of the information shown is critical to your application. Specifications are subject to change without notice. CERTIFICATION: Yale lift trucks meet the design and construction requirements of B56.1-1969, per OSHA Section 1910.178(a)(2), and also comply with the B56.1 revision in effect at time of manufacture. Certification of compliance with the applicable ANSI standards appears on the lift truck. The Yale® products included in this document may be covered by US patent 6,684,148 and other patents pending.