

NR/NDR030-040DC

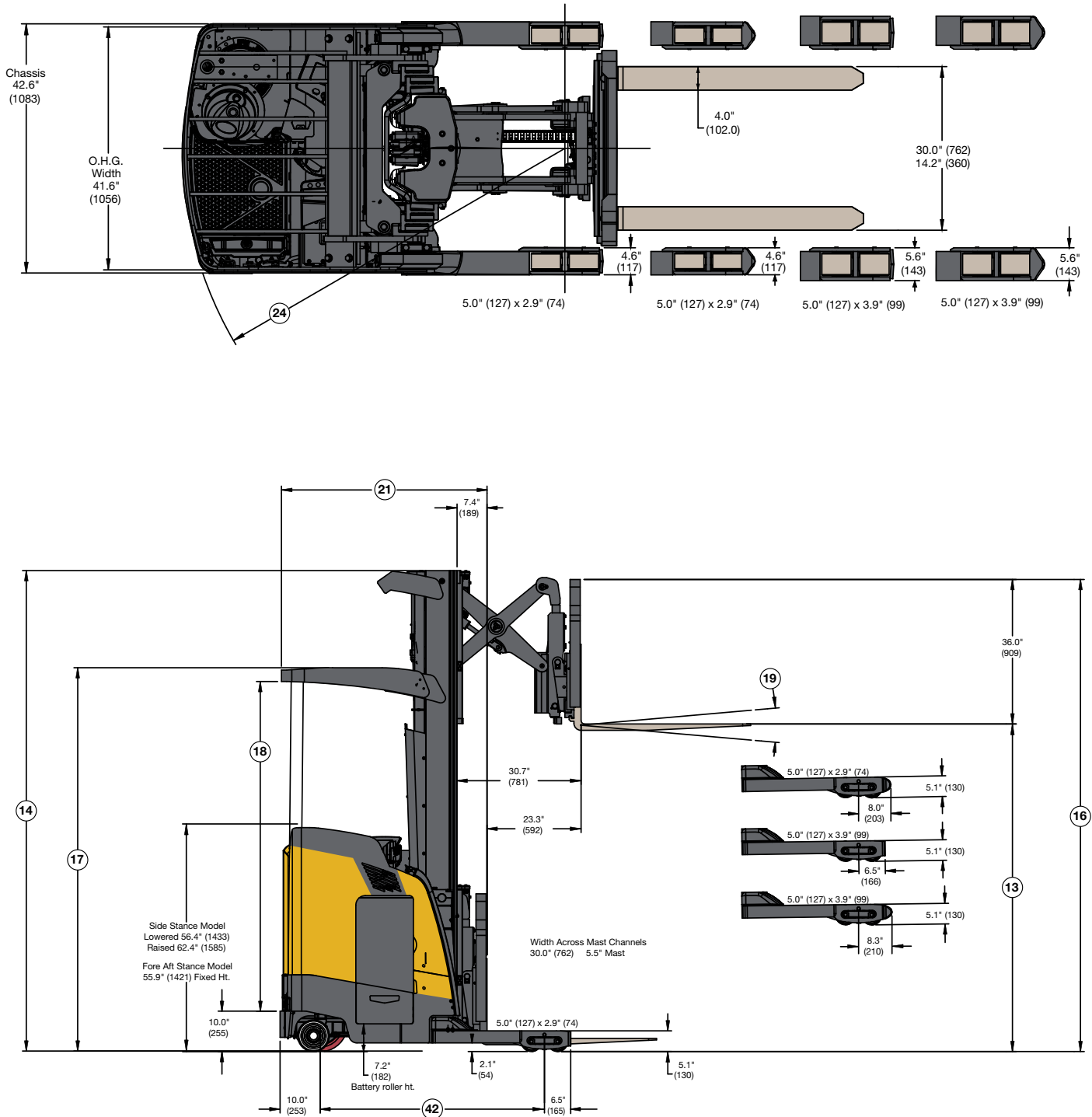
Narrow Aisle Reach Trucks

3,000 - 4,000 lb

- Combines the latest technology with next-level performance capable of exceeding expectations in modern warehousing
- Operator-focused ergonomics to help optimize comfort and productivity
- Offered in side-stance and fore/aft stance operator compartments to accommodate the needs of your operation



Truck Dimensions NR035-040DC



Circled dimensions correspond to the line numbers on the tabulated chart inside the Technical Guide. Dimensions are in inches (millimeters).

General Specifications NR035-040DC

		NR035DC		NR040DC			
GENERAL	1	Manufacturer name	Yale		Yale		
	2	Model	NR035DC		NR040DC		
	3	Wheel base designation *	SWB		SWB		
	4	Rated capacity	lb (kg)	3500 (1588)	4000 (1814)		
	5	Load center, distance	in (mm)	24 (610)	24 (610)		
	6	Power type - electric, diesel, LPG		Electric - 24V Electric - 36V	Electric - 24V Electric - 36V		
WT.	7	Operator type	Stand		Stand		
	8	Tire type - load/caster/drive	Poly/Poly/Poly		Poly/Poly/Poly		
	9	Wheels, number load/drive (x=driven)	4 / 2 (1x)		4 / 2 (1x)		
	10	Truck weight, without battery (approximate)	lb	5340	5360		
PERFORMANCE	12	Axle loading with assembly retracted ** (front/rear)	lb	6773/4160	7373/4082		
	13	Height, standard lift (TOF)	in (mm)	See mast table			
	14	Height, standard mast lowered (OALH)	in (mm)				
	15	Height, freelif (TOF)	in (mm)				
	16	Height, standard mast extended w/LBR	in (mm)				
	17	Height, top of OHG	in (mm)				
	18	Height, operator clearance	in (mm)				
	19	Mast tilt angle, forward/back	degrees	3 / 4	3 / 4		
	20	Forks, standard (length x width x thickness)	in	1.60 x 3.9 x 42	1.80 x 3.9 x 42		
	21	Headlength to face of forks - all battery compartments ***	in (mm)	See mast table	See mast table		
	22	Outrigger ID	in	34" - 49" (1" increments)	34" - 49" (1" increments)		
	ELECTRIC	23	Battery compartment size, 12.5" battery compartment - (LxWxH)	in	39.0 x 12.5 x 31.5	39.0 x 12.5 x 31.5	
			Battery compartment size, 14.25" battery compartment - (LxWxH)	in	39.0 x 14.25 x 31.5	39.0 x 14.25 x 31.5	
			Battery compartment size, 16.25" battery compartment - (LxWxH)	in	39.0 x 16.25 x 31.5	39.0 x 16.25 x 31.5	
		24	Turning radius - minimum outside, 12.5" battery compartment	in	65.67	65.67	
			Turning radius - minimum outside, 14.25" battery compartment	in	65.67	65.67	
			Turning radius - minimum outside, 16.25" battery compartment	in	67.60	67.60	
	25	Aisle width - zero clearance - right angle stack	see chart	See "RAS" table	See "RAS" table		
26	Stability - comply with ANSI		YES	YES			
WHEELS & TIRES	Travel speed						
	28	Rearward (chassis first) - empty/RL	mph	6.5/6.5	6.5/6.5		
	29	Forward (forks first) - empty/RL	mph	6.5/6.5	6.5/6.5		
	Lift Speed						
	31	Empty	ft/min	66	77	66	77
	32	2,000 lb.	ft/min	50	65	50	63
	33	3,000 lb.	ft/min	40	60	43	57
	34	3,500 lb.	ft/min	37	56	40	53
	35	4,000 lb.	ft/min	N/A		35	50
	36	4,500 lb.	ft/min	N/A			N/A
37	Lowering speeds, empty	ft/min	85		85		
38	Lowering speeds, RL	ft/min	85		85		
39	Size - front load wheels, standard		5 x 3.9		5 x 3.9		
41	Size, standard - drive tire/dual casters		13.5 x 5.5 / 7.9 x 2.2		13.5 x 5.5 / 7.9 x 2.2		
ELECTRIC	42	Wheelbase - 12.5" battery compartment	in	55.6	55.6		
	43	Wheelbase - 14.25" battery compartment	in	55.6	55.6		
	44	Wheelbase - 16.25" battery compartment	in	57.6	57.6		
	45	Brakes, service/parking (method of control)		Foot / auto		Foot / auto	
	46	Brake, service/parking (method of operation)		Regen / spring apply (electric release)		Regen / spring apply (electric release)	
	47	Battery type		Lead acid (std), Li-Ion (opt), fuel cell (opt)		Lead acid (std), Li-Ion (opt), fuel cell (opt)	
48	Traction motor rating (60 minute rating)	hp (kw)	8 (6)	8.9 (6.6)	8 (6)	8.9 (6.6)	
49	Hoist motor rating (5 minute rating)	hp (kw)	11.1 (8.3)	17.7 (13.2)	11.1 (8.3)	17.7 (13.2)	
50	Traction motor control method		Transistor		Transistor		
51	Hoist motor control method		Transistor		Transistor		
52	Number of speeds		Infinitely variable		Infinitely variable		

SWB = Short Wheel Base; LWB = Long Wheel Base

* Short or Long Wheelbase is for Double Reach Only. LWB for Double Reach Masts 278" and below

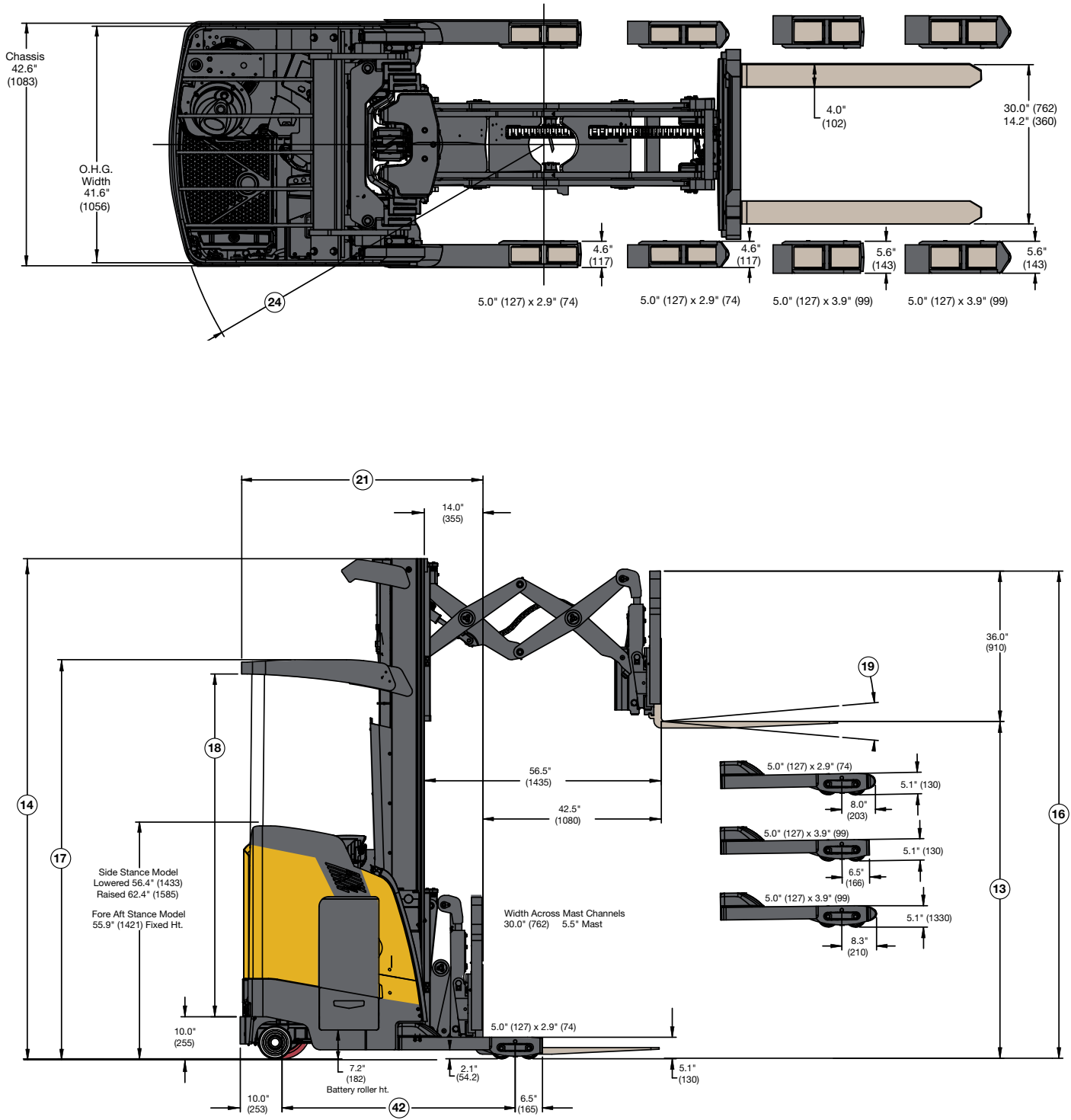
** Static with Rated Load and Max. Wt. Battery

*** Includes Integral Sideshift, Subtract 1" for Without Sideshift

CERTIFICATION: Yale lift trucks meet the design and construction requirements of B56.1-1969, per OSHA Section 1910.178(a)(2), and also comply with the B56.1 revision in effect at time of manufacture. Certification of compliance with the applicable ANSI standards appears on the lift truck.

NOTE: Performance specifications / ratings are for truck equipped as described under Standard Equipment in this Technical Guide. Performance specifications are affected by the condition of the vehicle and how it is equipped, as well as by the nature and condition of the operating area. Specifications are subject to change and the proposed application should be discussed with your authorized Yale Materials Handling Dealer.

Truck Dimensions NDR030DC



Circled dimensions correspond to the line numbers on the tabulated chart inside the Technical Guide. Dimensions are in inches (millimeters).

General Specifications NDR030DC

GENERAL	1	Manufacturer name		Yale		
	2	Model		NDR030DC		
	3	Wheel base designation *		LWB		
	4	Rated capacity	lb (kg)	3000 (1361)		
	5	Load center, distance	in (mm)	24 (610)		
	6	Power type - electric, diesel, LPG		Electric - 24V	Electric - 36V	
WT.	7	Operator type		Stand		
	8	Tire type - load/caster/drive		Poly/Poly/Poly		
	9	Wheels, number load/drive (x=driven)		4 / 2 (1x)		
	10	Truck weight, without battery (approximate)	lb	5590		
	12	Axle loading with assembly retracted ** (front/rear)	lb	6353/4330		
	13	Height, standard lift (TOF)	in (mm)	See mast table		
	14	Height, standard mast lowered (OALH)	in (mm)			
	15	Height, freelif (TOF)	in (mm)			
	16	Height, standard mast extended w/LBR	in (mm)			
	17	Height, top of OHG	in (mm)			
18	Height, operator clearance	in (mm)				
19	Mast tilt angle, forward/back	degrees	3 / 4			
20	Forks, standard (length x width x thickness)	in	1.60 x 3.9 x 42			
21	Headlength to face of forks - all battery compartments ***	in (mm)	See mast table			
22	Outrigger ID	in	34" - 49" (1" increments)			
PERFORMANCE		Battery compartment size, 12.5" battery compartment - (LxWxH)	in	N/A		
	23	Battery compartment size, 14.25" battery compartment - (LxWxH)	in	39.0 x 14.25 x 31.5		
		Battery compartment size, 16.25" battery compartment - (LxWxH)	in	39.0 x 16.25 x 31.5		
		Turning radius - minimum outside, 12.5" battery compartment	in	N/A		
	24	Turning radius - minimum outside, 14.25" battery compartment	in	70.47		
		Turning radius - minimum outside, 16.25" battery compartment	in	72.40		
	25	Aisle width - zero clearance - right angle stack	see chart	See "RAS" table		
	26	Stability - comply with ANSI		YES		
		Travel speed				
	28	Rearward (chassis first) - empty/RL	mph	6.5/6.5		
	29	Forward (forks first) - empty/RL	mph	6.5/6.5		
		Lift speed				
	31	Empty	ft/min	66	77	
	32	2,000 lb.	ft/min	52	65	
33	3,000 lb.	ft/min	45	57		
34	3,500 lb.	ft/min	N/A			
35	4,000 lb.	ft/min	N/A			
36	4,500 lb.	ft/min	N/A			
37	Lowering speeds, empty	ft/min	85			
38	Lowering speeds, RL	ft/min	85			
39	Size - front load wheels, standard		5 x 2.9			
41	Size, standard - drive tire/dual casters		13.5 x 5.5 / 7.9 x 2.2			
WHEELS & TIRES		Wheelbase - 12.5" battery compartment	in	N/A		
	42	Wheelbase - 14.25" battery compartment	in	60.6		
		Wheelbase - 16.25" battery compartment	in	62.6		
	43	Brakes, service/parking (method of control)		Foot / auto		
44	Brake, service/parking (method of operation)		Regen / spring apply (electric release)			
45	Battery type		Lead acid (std), Li-Ion (opt), fuel cell (opt)			
ELECTRIC	46	Traction motor rating (60 minute rating)	hp (kw)	8 (6)	8.9 (6.6)	
	47	Hoist motor rating (5 minute rating)	hp (kw)	11.1 (8.3)	17.7 (13.2)	
	48	Traction motor control method		Transistor		
	49	Hoist motor control method		Transistor		
	50	Number of speeds		Infinitely variable		

SWB = Short Wheel Base; LWB = Long Wheel Base

* Short or Long Wheelbase is for Double Reach Only. LWB for Double Reach Masts 278" and below

** Static with Rated Load and Max. Wt. Battery

*** Includes Integral Sideshift, Subtract 1" for Without Sideshift

CERTIFICATION: Yale lift trucks meet the design and construction requirements of B56.1-1969, per OSHA Section 1910.178(a)(2), and also comply with the B56.1 revision in effect at time of manufacture. Certification of compliance with the applicable ANSI standards appears on the lift truck.

NOTE: Performance specifications / ratings are for truck equipped as described under Standard Equipment in this Technical Guide. Performance specifications are affected by the condition of the vehicle and how it is equipped, as well as by the nature and condition of the operating area. Specifications are subject to change and the proposed application should be discussed with your authorized Yale Materials Handling Dealer.

NR/NDR030-040DC Mast Dimensions (5.5" Standard)

Overall Lowered Ht.	Max. Fork Height (TOF)	Free-Lift (TOF)	Overall Height (Mast Extended) Highest Point w/36" LBR	Overhead Guard Height to Top	Operator Clearance	Head Length (Length to Face of Forks)			
						12.5" or 14.25"		16.25"	
						12.5" or 14.25"	14.25"	16.25"	16.25"
in (mm)	in (mm)	in (mm)	in (mm)	in (mm)	in (mm)	Single Reach	Double Reach	Single Reach	Double Reach
3-Stage Full Free-Lift (FFL) VISTA™ Mast									
87 (2210)	191 (4851)	48 (1219)	230 (5842)	87 (2212)	74.3 (1887)	52.16	57.83	54.21	59.88
91 (2311)	203 (5156)	52 (1321)	242 (6147)	91 (2314)	78.3 (1989)	52.16	57.83	54.21	59.88
95 (2413)	212 (5385)	56 (1422)	251 (6375)	95 (2416)	82.3 (2090)	52.16	57.83	54.21	59.88
101 (2565)	227 (5766)	62 (1575)	266 (6756)	95 (2416)	82.3 (2090)	52.16	57.83	54.21	59.88
107 (2718)	242 (6147)	68 (1727)	281 (7137)	95 (2416)	82.3 (2090)	52.16	57.83	54.21	59.88
110 (2794)	251 (6375)	71 (1803)	290 (7366)	95 (2416)	82.3 (2090)	52.16	57.83	54.21	59.88
119 (3023)	272 (6909)	80 (2032)	311 (7899)	95 (2416)	82.3 (2090)	52.16	57.83	54.21	59.88

Battery and Compartment Specifications

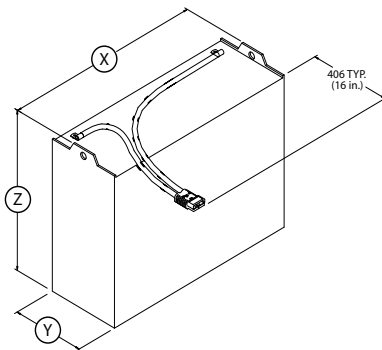
Battery Specifications																	
Battery Compartment Size	Battery Voltage	Maximum 6 Hr Rate		Battery Compartment Dimensions						Battery Dimensions						Minimum Batt. Wt.	Maximum Batt. Wt.
				"X" Max.		"Y" Max.		"Z" Max.		"X" Max.		"Y" Max.		"Z" Max.			
		AH	KWH	in	(mm)	in	(mm)	in	(mm)	in	(mm)	in	(mm)	in	(mm)	in	(mm)
12.50"	24	1085	25.4	39.0	990	12.5	318	31.5	800	38.8	985	12.25	311	31	788	1400 (635)	1900 (862)
14.25"	24	1240	29	39.0	990	14.25	362	31.5	800	38.8	985	14	356	31	788	1600 (726)	2100 (953)
14.25"	36	775	27.2	39.0	990	14.25	362	31.5	800	38.8	985	14	356	31	788	1600 (726)	2100 (953)
16.25"	24	1395	32.6	39.0	990	16.25	413	31.5	800	38.8	985	16	406	31	788	1850 (839)	2350 (1066)
16.25"	36	930	32.6	39.0	990	16.25	413	31.5	800	38.8	985	16	406	31	788	1850 (839)	2350 (1066)

Battery Connector: 24V - Red; 36V - Gray; Position "B", Lead Length 16"

Manufacturers Standard Cable Size Not to Exceed 4/0 AWG

Battery compartment is designed to accommodate standard wet cell batteries with fixed lifting eyes and no cover.

Contact Applications Engineering to verify compatibility/fit when using maintenance free, covered or non-standard batteries.



Right Angle Aisle Stacking

NR035-040DC

12.5" or 14.25" Battery Compartment and 42" ID

3 Stage - 4" Between Loads

Pallet Length (inches)	Pallet Width (inches)			
	36	40	44	48
36	85	85	85	85
40	87	87	86	86
44	92	91	91	90
48	96	96	95	95

Subtract 1" if without sideshift

Add 2" for 16.25" battery compartment

NDR030DC

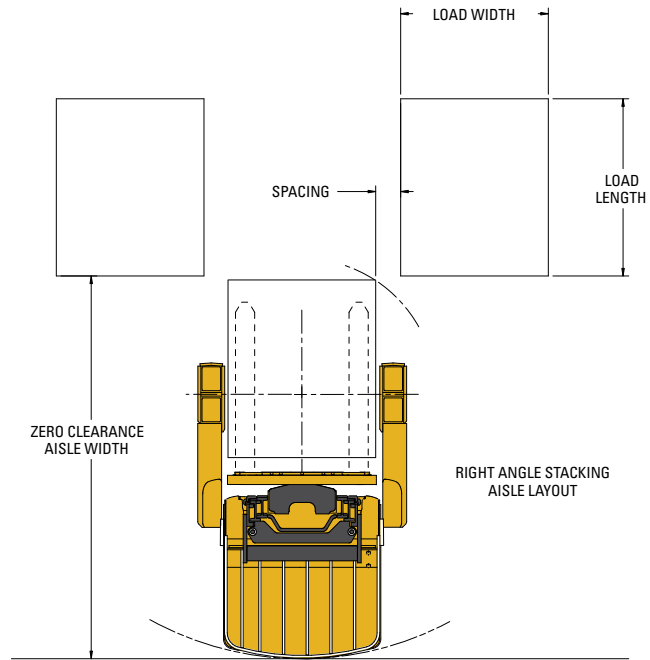
14.25" Battery Compartment and 42" ID

3 Stage - 6" Between Loads

Pallet Length (inches)	Pallet Width (inches)			
	36	40	44	48
36	87	86	86	86
40	91	90	90	89
44	96	95	95	94
48	100	100	99	99

Sideshift is standard on double reach

Add 2" for 16.25" battery compartment



Note: These are "Zero Clearance" aisles and require an additional 6" or more to be added to provide for easier maneuvering.

NR/NDR030-040DC

Standard equipment

- Sidestance Operator Controls
- Yale Smart Operator Sensing System
- Wire Mesh Mast Guard
- EZ Ride Floor
- Low Profile Anti-Fatigue Floormat
- Automotive Steering
- Steer Tiller Position Adjustment
- 24 Volt Battery (Includes 350 Amp Red Battery Connector)
- 91" / 203" / 52" – (5.5") 3 Stage Full Free Lift Mast
- Single Reach Mast (24" Extend) with 33.5" Wide Class II with Integral Sideshift (Hook Type Carriage)
- Double Reach Mast (42" Extend) with 33.5" Wide Class II with Integral Sideshift (Hook Type Carriage)
- Forks: 1.8" x 3.9" (45 mm x 100 mm) 42" (1067 mm) – Class II, Hook Type (Standard on NR040DC)
- Forks: 1.6" x 3.9" (40 mm x 100 mm) 42" (1067 mm) – Class II, Hook Type (Standard on NDR030DC and NR035DC)
- 5" x 3.9" Poly Articulating Tandem Load Wheels - High Load Compound (Standard on NR035DC and NR040DC)
- 5" x 2.9" Poly Articulating Tandem Load Wheels - High Load Compound (Standard on NDR030DC)
- AC Traction, Lift / Lower and Steering
- Low Step Height
- Transistor Controller with Regenerative Braking
- 4 Independent Fully Programmable Performance Modes
- Programmable Traction Speed and Acceleration
- Electric Power Steering
- Fully Proportional Lift/Lower Control
- Poly Drive Tire – 13.5" x 5.5"
- Dual Articulating Polyurethane Caster Wheels
- Power Disconnect
- Key Start
- 2 USB Ports
- 36" High Load Backrest Extension
- Sealed Battery Rollers
- Tilting Carriage (3° Fwd, 4° Back)
- Padded Operator Compartment
- Rear Post Operator Protection
- Operator's Overhead Guard
- Control Handle with Simultaneous Hydraulic Functions
- 5" Smart Display: Color Touchscreen with:
 - Clock
 - Bar Graphic Battery Discharge Indicator and Lift Interrupt
 - Hour Meters: Truck, Traction, Hoist Pump, and Secure
 - Maintenance Reminder
 - Programmable Performance Mode Selection
 - User passwords and Operator logs with history
 - Steer Wheel Angle Graphic Indication
 - Truck Inspection Check List
 - Truck Speed Indication in MPH or KPH
- Electronic Horn
- Static Discharge Strap
- UL Classification E
- Operating Manual
- 12 Month / Unlimited Hours Full Truck Warranty
- 3 Years/ 6,000 Hour Powertrain Warranty
- Lifetime Frame Warranty

Options

- Fore/Aft Stance Operator Controls
- Reverse Steering
- Smart Ride Floor (Full Suspension Floor)
- Clear Mast Guard
- Steered Caster - SPED
- Keyless Start
- 7" Smart Display: Color Touchscreen
- Rotary Joystick (Opt – Standard Construction, Standard – Cooler/Freezer)
- 36 Volt Battery (Includes 350 Amp Gray Battery Connector)
- Battery Stand
- Battery Puller
- Battery Gate Interlock
- Lithium Ion Ready
- Fuel Cell Ready
- Cooler/Freezer Construction (0° F to 120°F), Includes Rubber Floormat
- Various-Sized Load Wheels with Sealed Bearings
- Various Drive Tires
- Tapered Load Wheel Boxes
- Lift Limits
- Single Reach Mast without Integral Sideshift for Standard 33.5" Wide Carriage-7" Total Sideshift Travel **
- Various Fork Lengths
- Various I.D. Outriggers
- Fork Height Display
- 48" High Load Backrest Extension
- Audible Back-up and Motion Alarms
- Visual Amber Strobe Light
- Blue LED Spotlights
- Operator LED Desktop Light
- Dual LED Headlights
- Rear LED Worklight
- Operator Overhead Fan
- Load Weight Display
- Reduced Travel Speed with Carriage Extended
- RF Terminal Bracket
- RF Handheld Scanner Holder
- 12 Volt DC Auxiliary Power Supply
- Impact Monitor
- Wire Mesh on Top OHG
- Parts Manual
- Rear Operator Compartment Door * - SPED
- Yale Vision


* Doors are intended to protect the operator from objects that may enter the operator's compartment but they may also slow the operator's egress in emergency situations. A review of the forklift's intended environment should be conducted before selecting a door as optional equipment.

** Sideshift includes 7" travel (3.5" each side). Sideshift travel will be reduced to 3" total (1.5" each side) when Outtrigger ID is less than 39".



YALE MATERIALS HANDLING CORPORATION • P.O. Box 7367, Greenville, NC 27835-7367

www.yale.com Manufactured in our own ISO 9001 and 14001 Registered Facilities

Yale is a Registered Trademark and  is a Registered Copyright. ©Yale Materials Handling Corporation 2020. All Rights Reserved.

Truck performance may be affected by the condition of the vehicle, how it is equipped and the application. Consult your Yale® Industrial Truck Dealer if any of the information shown is critical to your application. Specifications are subject to change without notice. CERTIFICATION: Yale lift trucks meet the design and construction requirements of B56.1-1969, per OSHA Section 1910.178(a)(2), and also comply with the B56.1 revision in effect at time of manufacture. Certification of compliance with the applicable ANSI standards appears on the lift truck. The Yale® products included in this document may be covered by US patent 6,684,148 and other patents pending.